



JOB: \_\_\_\_\_

LOCATION: \_\_\_\_\_

DATE: \_\_\_\_\_

## PRODUCT SPECIFICATIONS

STYLE # D9-3074

SERIES NAME: DAU Doble

CATEGORY: Wall Sconce

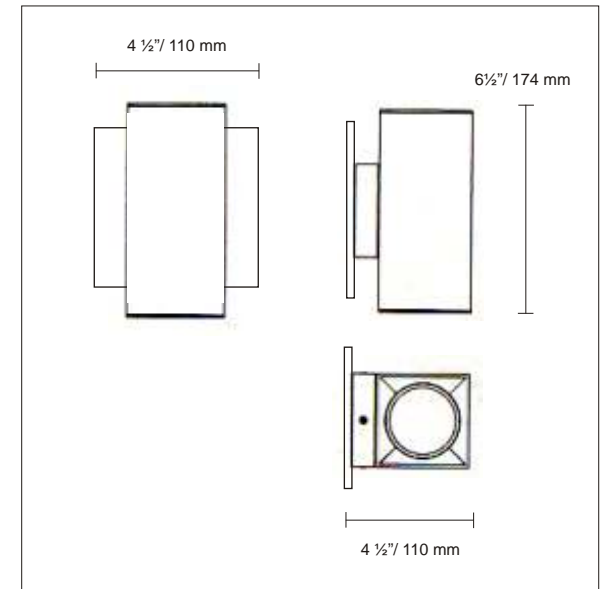
COLOR /FINISH: Black Satin Aluminum

LAMP TYPE: Halogen GZ10 MR20

MAX WATT: 2 x 75W

DIMENSIONS: W. 4 ½" x Ht. 6 ½" x Ext. 4 ½"

APPROVALS: Approved by CSA for  
North American Standards.



NOTES: \_\_\_\_\_

\_\_\_\_\_

\_\_\_\_\_