



JOB: _____

LOCATION: _____

DATE: _____

PRODUCT SPECIFICATIONS

STYLE # D9-3059

SERIES NAME: CIRCE

CATEGORY: Wall Sconce

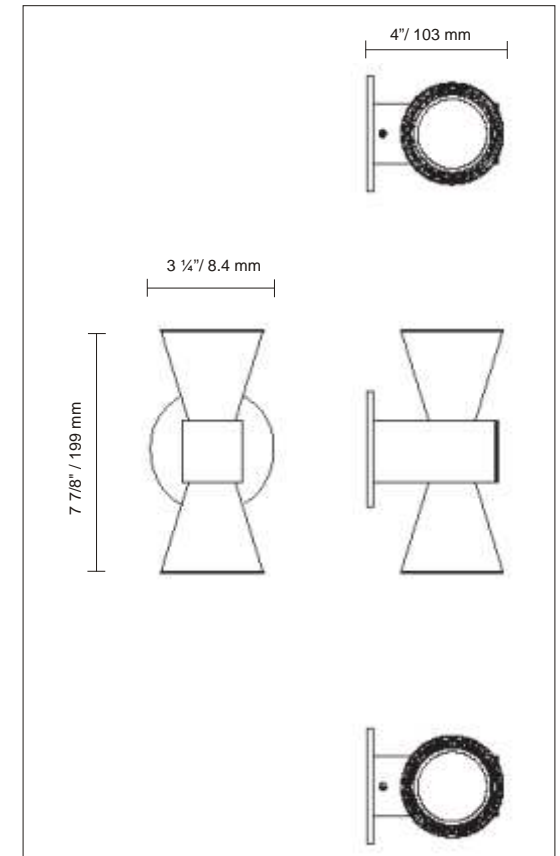
COLOR /FINISH: Metallic Gray

LAMP TYPE: Halogen GZ10 MR20

MAX WATT: 2 x 75W

DIMENSIONS: D. 3 1/4" x Ext. 4" x Ht. 7 7/8"

APPROVALS: Approved by CSA for
North American Standards.



NOTES: _____