

PRODUCT SPECIFICATIONS

STYLE # D9-3040

SERIES NAME: MINI

STRUCTURE: Metal

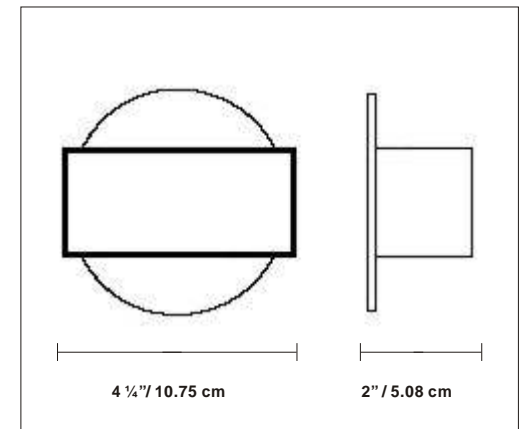
COLOR /FINISH: Brushed Aluminum

LAMP TYPE: Halogen G9 

MAX WATT: 1 x 60W

DIMENSIONS: L.4 1/4" x Ht.2" x Ext. 2"

APPROVALS: Approved by CSA for
North American Standards



NOTES: _____
