



JOB: _____

LOCATION: _____

DATE: _____

PRODUCT SPECIFICATIONS

STYLE # D9-2052

SERIES NAME: DAU SPOT

CATEGORY: Flush Mount

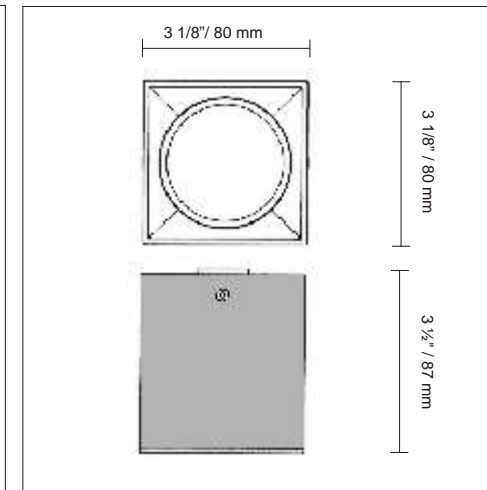
COLOR /FINISH: Black Satin Aluminum

LAMP TYPE: Halogen GZ10 MR20

MAX WATT: 1 x 75W

DIMENSIONS: L. 3 1/8"x W. 3 1/8"x Ht. 3 1/2"

APPROVALS: Approved by CSA for
North American Standards.



NOTES: _____