



JOB: \_\_\_\_\_

LOCATION: \_\_\_\_\_

DATE: \_\_\_\_\_

CATALOG: DECORATIVE D9 2006/07

## PRODUCT SPECIFICATIONS

STYLE # D9-1111

SERIES NAME: PARAL.LEL

COLOR / FINISH: Satin Aluminum

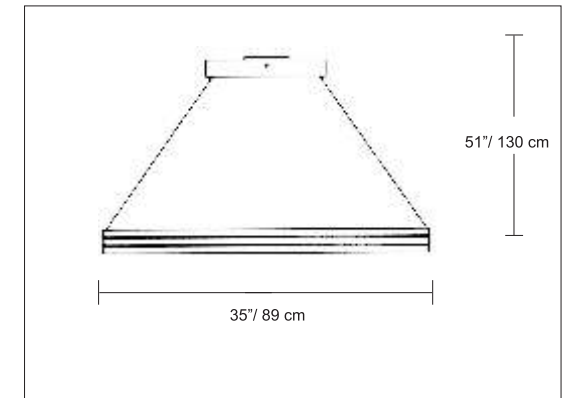
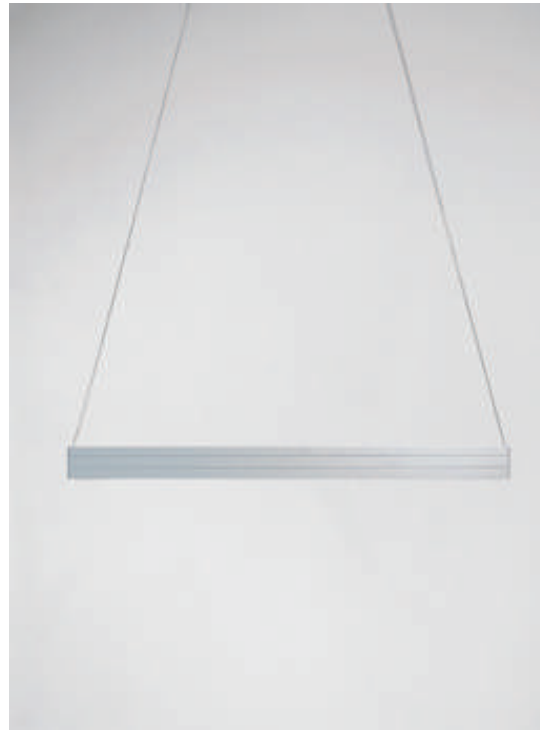
DIFFUSER: N/A

LAMP TYPE: Fluorescent T5 

MAX WATT: 1 x 39W

DIMENSIONS: L. 35" x Ht. Max. 51"

APPROVALS: Approved by CSA for  
North American Standards.



NOTES: \_\_\_\_\_

\_\_\_\_\_

\_\_\_\_\_