



JOB: \_\_\_\_\_

LOCATION: \_\_\_\_\_

DATE: \_\_\_\_\_

## PRODUCT SPECIFICATIONS

STYLE # D8-9014

SERIES NAME: ACCESSORY

CATEGORY: Gray Pendant Track

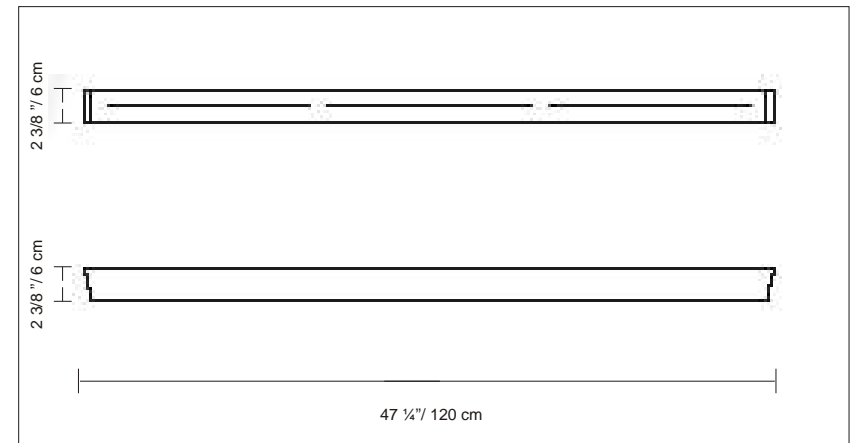
COLOR / FINISH: Metallic Gray

LAMP TYPE: NOT APPLICABLE

MAX WATT: NOT APPLICABLE

DIMENSIONS: L. 47 1/4" x W. 2 3/8" x Ht. 2 3/8"

APPROVALS: Approved by CSA for  
North American Standards.



NOTES: \_\_\_\_\_