



JOB: _____

LOCATION: _____

DATE: _____

CATALOG: DECORATIVE D8 2005/06

PRODUCT SPECIFICATIONS

STYLE # D8-4054

SERIES NAME: BLISSY

COLOR / FINISH: Gray Metal

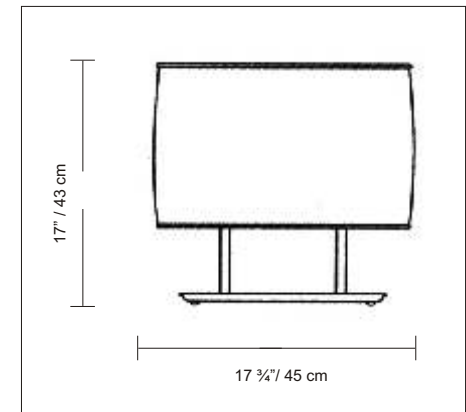
DIFFUSER: White Lampshade

LAMP TYPE: Incand. Medium 

MAX WATT: 1 x 150W

DIMENSIONS: W. 17 3/4" x Ht. 17"

APPROVALS: Approved by CSA for
North American Standards.



NOTES: _____
