

JOB: _____

LOCATION: _____

DATE: _____

CATALOG: DECORATIVE D8 2005/06

PRODUCT SPECIFICATIONS

STYLE # D8-4049

SERIES NAME: BLISSY

COLOR / FINISH: Metallic Brown Metal

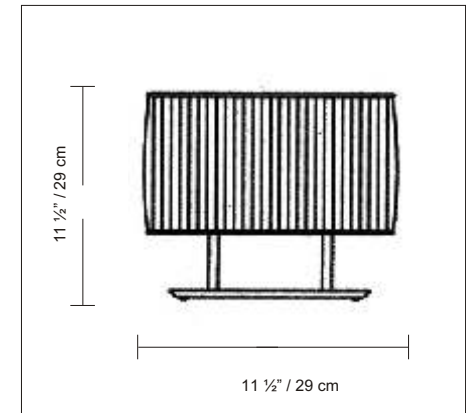
DIFFUSER: Pleated Lampshade

LAMP TYPE: Incand. Medium 

MAX WATT: 1 x 60W

DIMENSIONS: W. 11 ½" x Ht. 11 ½"

APPROVALS: Approved by CSA for
North American Standards.



NOTES: _____
