



JOB: _____

LOCATION: _____

DATE: _____

CATALOG: DECORATIVE D8 2005/06

PRODUCT SPECIFICATIONS

STYLE # D8-3043

SERIES NAME: BLISSY

COLOR / FINISH: n/a

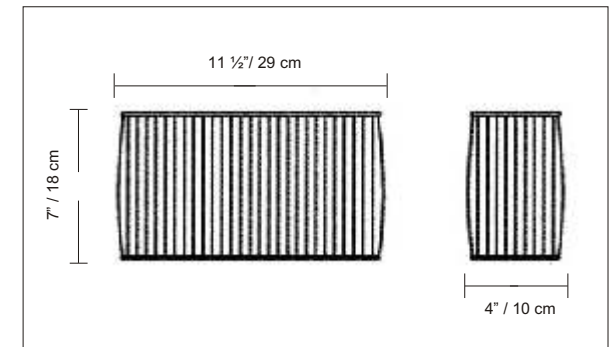
DIFFUSER: Pleated Shade

LAMP TYPE: Incand. Medium

MAX WATT: 1 x 60W

DIMENSIONS: L. 11 1/2" x Ht. 7" x Ext. 4"

APPROVALS: Approved by CSA for
North American Standards.



NOTES: _____
