



JOB: _____

LOCATION: _____

DATE: _____

CATALOG: DECORATIVE D8 2005/06

PRODUCT SPECIFICATIONS

STYLE # D8-3037

SERIES NAME: GLIM

COLOR / FINISH: Chrome

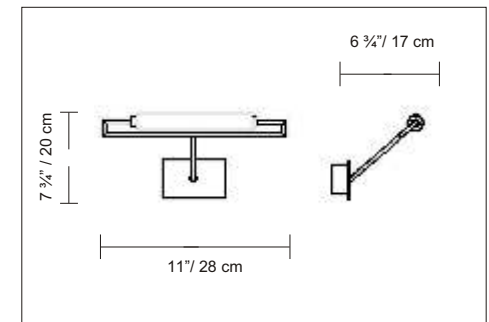
DIFFUSER: Printed Matte Pyrex Glass

LAMP TYPE: Halogen T3Q (119mm) 

MAX WATT: 1 x 200W

DIMENSIONS: W. 11" x Ht. 7 3/4" x Ext. 6 3/4"

APPROVALS: Approved by CSA for
North American Standards.



NOTES: _____
