

PRODUCT SPECIFICATIONS

STYLE # D8-3019

SERIES NAME: LUCILLA

COLOR / FINISH: Gray Metal

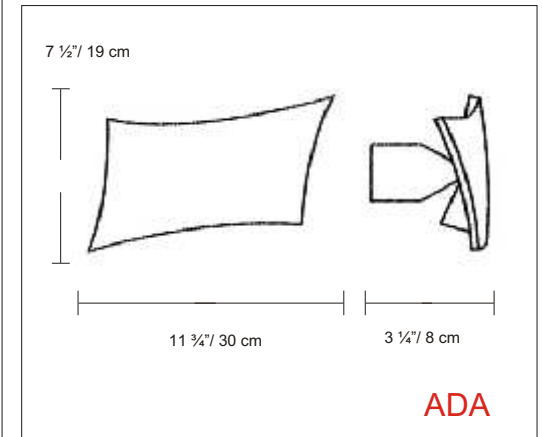
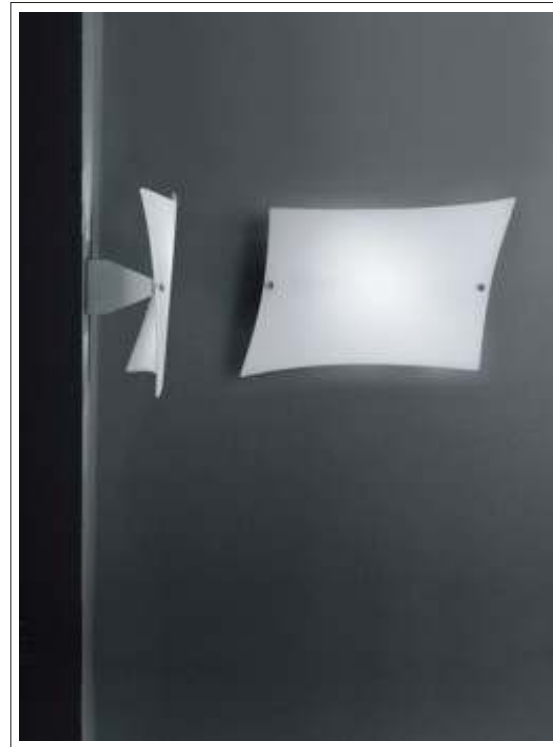
DIFFUSER: Blown Matte White Glass

LAMP TYPE: Halogen T3Q (119mm) 

MAX WATT: 1 x 150 W

DIMENSIONS: W. 11 3/4" x Ht. 7 1/2" x Ext. 3 1/4"

APPROVALS: Approved by CSA for
North American Standards.



NOTES: _____
