



JOB: \_\_\_\_\_

LOCATION: \_\_\_\_\_

DATE: \_\_\_\_\_

## PRODUCT SPECIFICATIONS

STYLE # D8-3002

SERIES NAME: KUBIK

COLOR / FINISH: Gray Metal

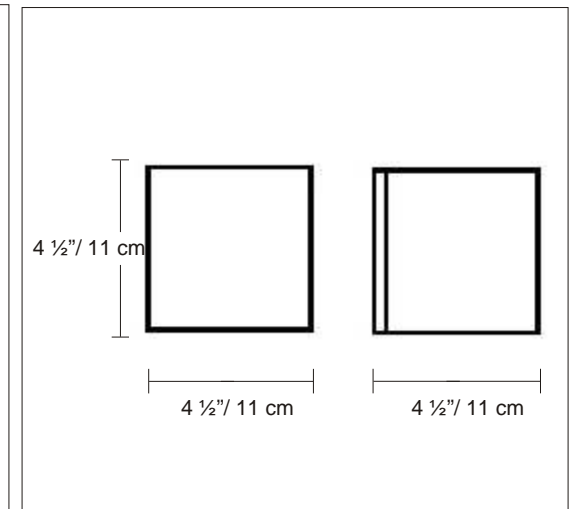
DIFFUSER: Blown Matte White Glass

LAMP TYPE: Halogen G9 Frost 

MAX WATT: 1 x 60W

DIMENSIONS: W. 4 ½" x Ht. 4 ½" x Ext. 4 ½"

APPROVALS: Approved by CSA for  
North American Standards.



NOTES: \_\_\_\_\_

\_\_\_\_\_

\_\_\_\_\_