



JOB: _____

LOCATION: _____

DATE: _____

CATALOG: DECORATIVE D8 2005/06

PRODUCT SPECIFICATIONS

STYLE # D8-2025

SERIES NAME: GLIM MINI

COLOR / FINISH: Gray Metal

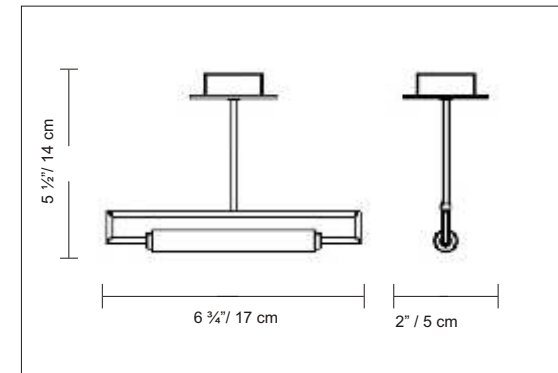
DIFFUSER: Printed Matte Pyrex Glass

LAMP TYPE: Halogen G9 Frost

MAX WATT: 1 x 75 W

DIMENSIONS: L. 6 ³/₄" x Ht. 5 ¹/₂" x W. 2"

APPROVALS: Approved by CSA for
North American Standards.



NOTES: _____
