

JOB: \_\_\_\_\_

LOCATION: \_\_\_\_\_

DATE: \_\_\_\_\_

## PRODUCT SPECIFICATIONS

STYLE # D8-1073SERIES NAME: ACCESSORY

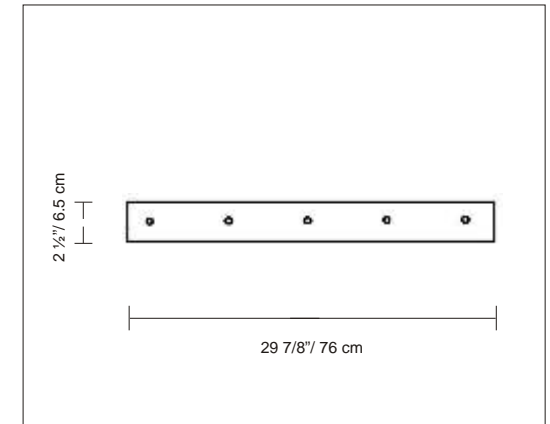
CATEGORY: 5 Light Pendant Holder

COLOR / FINISH: Metallic Gray

LAMP TYPE: NOT APPLICABLE

MAX WATT: NOT APPLICABLE

DIMENSIONS: L. 29 7/8" x W. 2 1/2" x Ht. 2 1/2"

APPROVALS: Approved by CSA for  
North American Standards.

NOTES: \_\_\_\_\_

\_\_\_\_\_