

JOB: \_\_\_\_\_

LOCATION: \_\_\_\_\_

DATE: \_\_\_\_\_

## PRODUCT SPECIFICATIONS

STYLE # D8-1071SERIES NAME: ACCESSORY

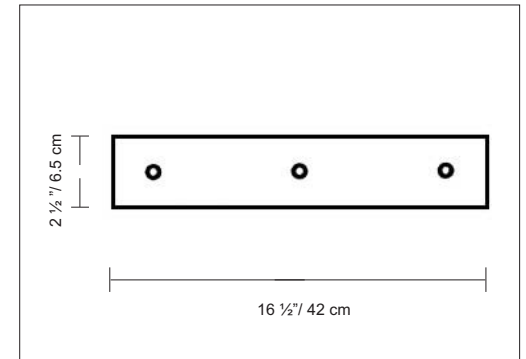
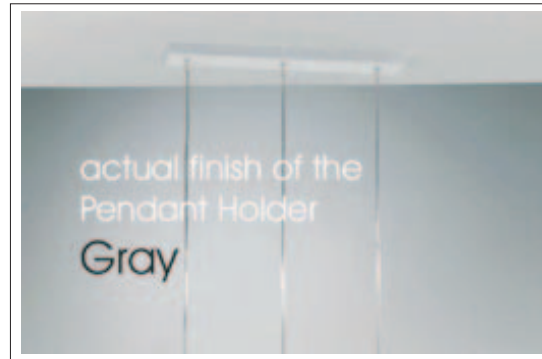
CATEGORY: 3 Light Pendant Holder

COLOR / FINISH: Metallic Gray

LAMP TYPE: NOT APPLICABLE

MAX WATT: NOT APPLICABLE

DIMENSIONS: L. 16 ½" X W. 2 ½" X Ht. 2 ½"

APPROVALS: Approved by CSA for  
North American Standards.

NOTES: \_\_\_\_\_