

PRODUCT SPECIFICATIONS

STYLE # D8-1045

SERIES NAME: DOMINO

CATEGORY: Pendant

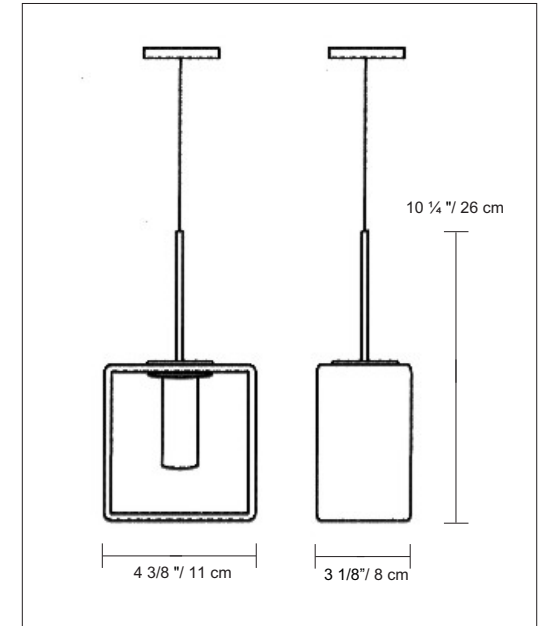
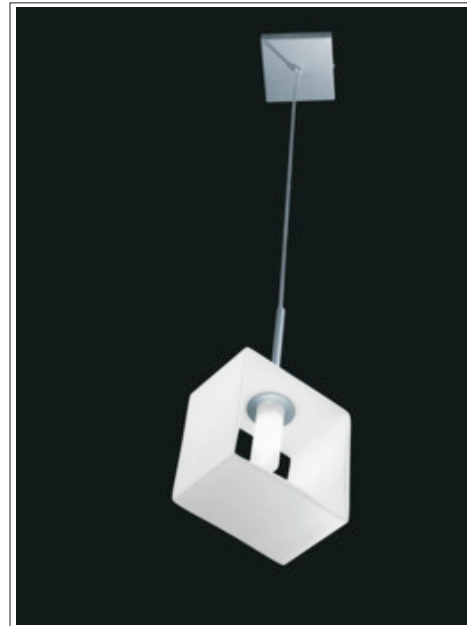
COLOR / FINISH: Metallic Gray

DIFFUSER: White Glass

LAMP TYPE: Halogen G9 Frost

MAX WATT: 1 x 75W

DIMENSIONS: L. 4 3/8" x W. 3 1/8" x Ht. 10 1/4"



APPROVALS: Approved by CSA for
North American Standards.

NOTES: _____
