

PRODUCT SPECIFICATIONS

STYLE # D8-1019 w/ D8-1016

SERIES NAME: JAZZ

COLOR / FINISH: Chrome

DIFFUSER: Borosilicate Glass

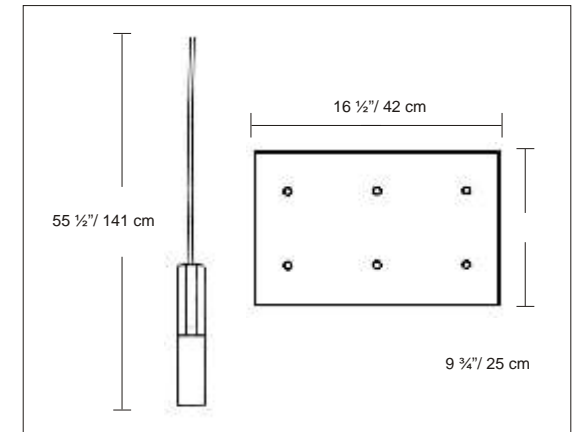
LAMP TYPE: Halogen G9 Frost



MAX WATT: 6 x 60W

DIMENSIONS: L. 16 1/2" x W. 9 3/4" x Ht. 55 1/2"

APPROVALS: Approved by CSA for
North American Standards.



NOTES: D8-1019 - Pendant Holder. D8-1016 - Single Pendant. Each sold separately.