

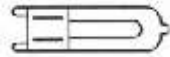
## PRODUCT SPECIFICATIONS

STYLE # D8-1016 w/ D8-1019SERIES NAME: JAZZ

COLOR / FINISH: Chrome

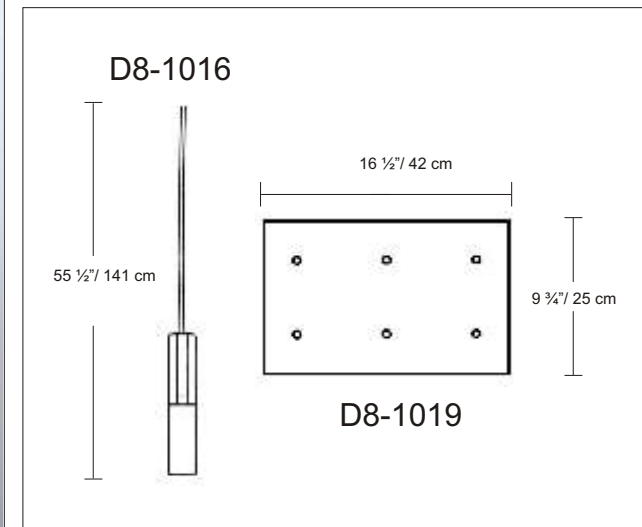
DIFFUSER: Clear / Frost Glass

LAMP TYPE: Halogen G9 Frost



MAX WATT: 6 x 60W

DIMENSIONS: L. 16 1/2" x W. 9 3/4" x Ht. 55 1/2"

APPROVALS: Approved by CSA for  
North American Standards.

NOTES: \_\_\_\_\_

\_\_\_\_\_

\_\_\_\_\_