

PRODUCT SPECIFICATIONS

STYLE # D8-1002

SERIES NAME: KUBIK

COLOR / FINISH: Gray Metal

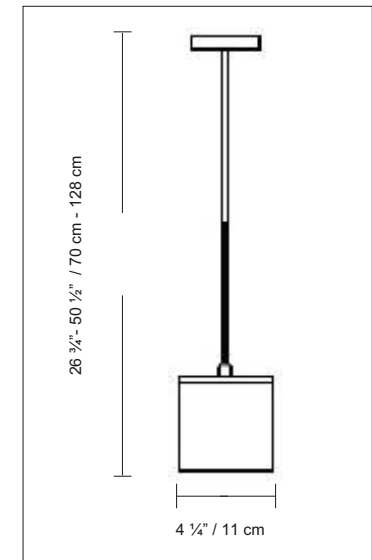
DIFFUSER: Blown White Matte Glass

LAMP TYPE: Halogen G9 Frost 

MAX WATT: 1 x 60W

DIMENSIONS: D. 4 1/4" x Ht. 26 3/4" - 50 1/2"

APPROVALS: Approved by CSA for
North American Standards.



NOTES: _____