

## PRODUCT SPECIFICATIONS

STYLE # D2-3000

SERIES NAME: ALTEA

COLOR / FINISH: Chrome

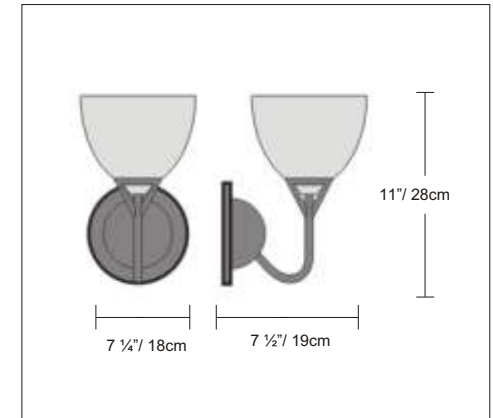
DIFFUSER: Opal White Glass

LAMP TYPE: Incand. Medium 

MAX WATT: 1 x 100W

DIMENSIONS: W. 7 ¼" x Ht. 11" x Ext. 7 ½"

APPROVALS: Approved by CSA for  
North American Standards.



NOTES: \_\_\_\_\_  
\_\_\_\_\_  
\_\_\_\_\_