

## PRODUCT SPECIFICATIONS

STYLE # D2-2000

SERIES NAME: OMNI

COLOR / FINISH: Brushed Chrome

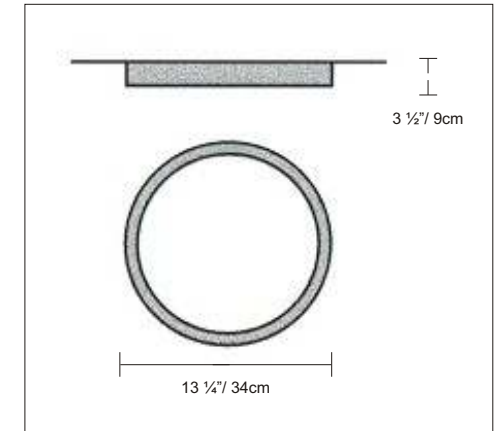
DIFFUSER: Satin Master Point Glass

LAMP TYPE: Incand. Medium 

MAX WATT: 2 x 40W

DIMENSIONS: D. 13 1/4" x Ext. 3 1/2"

CSA APPROVALS: Approved for North America



NOTES: \_\_\_\_\_

\_\_\_\_\_

\_\_\_\_\_