

## PRODUCT SPECIFICATIONS

STYLE # D1-4000

SERIES NAME: BLUES

COLOR / FINISH: Brushed Nickel

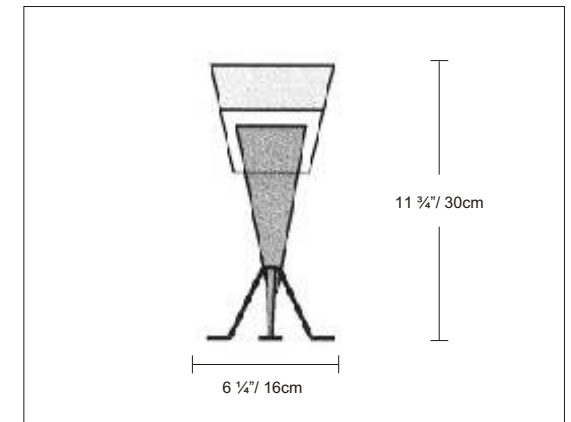
DIFFUSER: Transparent / Satin Glass

LAMP TYPE: Incand. Cand. G16 ½ 

MAX WATT: 1 x 60W

DIMENSIONS: D. 6 ¼" x Ht. 11 ¾"

CSA APPROVALS: Approved for North America



NOTES: \_\_\_\_\_

\_\_\_\_\_

\_\_\_\_\_