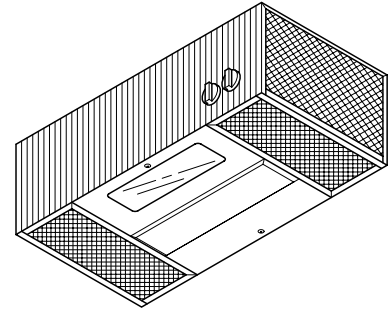


MODEL PM44 POWER MODULE



FEATURES

- Variable speed motor
- Rotary controls
- Twin squirrel-cage blower, 410 CFM, 5.5 Sones
- 3¼" x 10" vertical ducted or non-ducted discharge
- Enclosed two-level lighting
- Accepts one incandescent max. 75-watt bulb (not included)
- Two washable aluminum mesh filters
- Optional, disposable charcoal filter kit - #355NDK
- Durable, powder coated finish
- All edges hemmed for safety and strength
- One Year Limited Warranty

TYPICAL SPECIFICATION

Power Module shall be Broan-NuTone Model PM44WW (PM44BL).

Power Module shall have a variable speed motor and enclosed two-level light, controlled by rotary switches.

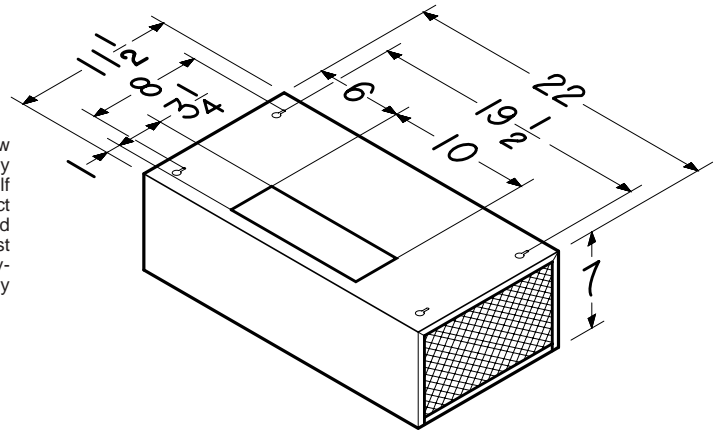
Fan must be convertible between ducted and non-ducted discharge. Ducted mode uses 3¼" x 10" duct and two washable aluminum mesh filters. Non-ducted mode uses optional, disposable charcoal filter.

Unit shall have a durable, powder coated finish with all edges hemmed.

Air delivery to be at least 410 CFM and sound levels not greater than 5.5 Sones. Unit shall be U.L. listed.



HVI-2100 CERTIFIED RATINGS comply with new testing technologies and procedures prescribed by the Home Ventilating Institute, for off-the-shelf products, as they are available to consumers. Product performance is rated at 0.1 in. static pressure, based on tests conducted in AMCA's state-of-the-art test laboratory. Sones are a measure of humanly-perceived loudness, based on laboratory measurements.



Broan-NuTone LLC, 926 W. State Street, Hartford, WI 53027 (1-800-637-1453)

NuTone, Inc., 4820 Red Bank Road, Cincinnati, OH 45227 (1-800-543-8687)

Broan-NuTone Canada, Inc., 1140 Tristar Drive, Mississauga, Ontario L5T 1H9 (1-888-882-7626)

REFERENCE	QTY.	REMARKS	Project
			Location
			Architect
			Engineer
			Contractor
			Submitted by Date