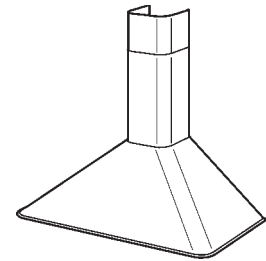


# RANGEMASTER® RM50000 SERIES RANGE HOOD



**A combination of Italian chimney hood design with tremendous value to meet the requirements of today's conventional appliance and kitchen styles.**

**FEATURES**

- Professional style design
- 430 Stainless Steel #4 Brushed construction
- Wall mount installation
- Seamless corners for easy cleaning
- Ducted/non-ducted telescopic flue - fits 8 ft. to 9 ft. ceilings
- 6" round vertical discharge
- Includes non-ducted kit for indoor exhaust recirculation
- 270 cfm centrifugal blower
- Multi-speed slide control
- Dual incandescent lighting (2 x 40 W) (bulbs included)
- Dishwasher-safe aluminum filter features a quick-release latch and professional style appearance
- Available sizes: 30" and 35-7/16"

**OPTIONS**

- Replacement grease filters available (Part No. SB08087292)
- Replacement charcoal filters available (Model FILTEREB40 or Part No. SB08999634)
- Flue Extension for 10 ft. ceiling (for ducted applications) (Model RFX5004)

**SPECIFICATIONS**

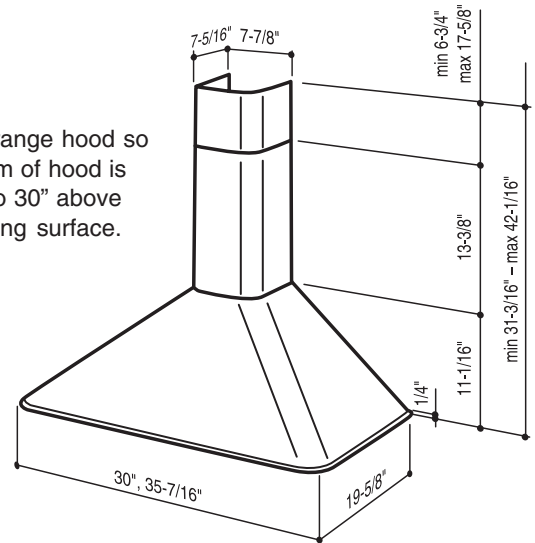
VOLTS	AMPS	CFM	SONES	DUCT
120	2.86	270	6.5	6" round



**TYPICAL SPECIFICATION**

Range hood shall be Broan Model RM50000. Unit shall be convertible between ducted (using a washable aluminum filter) and non-ducted (using a recirculation kit). Motor to be permanently lubricated. Unit shall have four-speed fan switch and separate light switch. Sides shall be mitered and bottom edge hemmed - with no sharp edges. Air delivery shall be no less than 270 CFM. Unit shall be U.L. and cUL listed.

Mount range hood so bottom of hood is 24" to 30" above cooking surface.

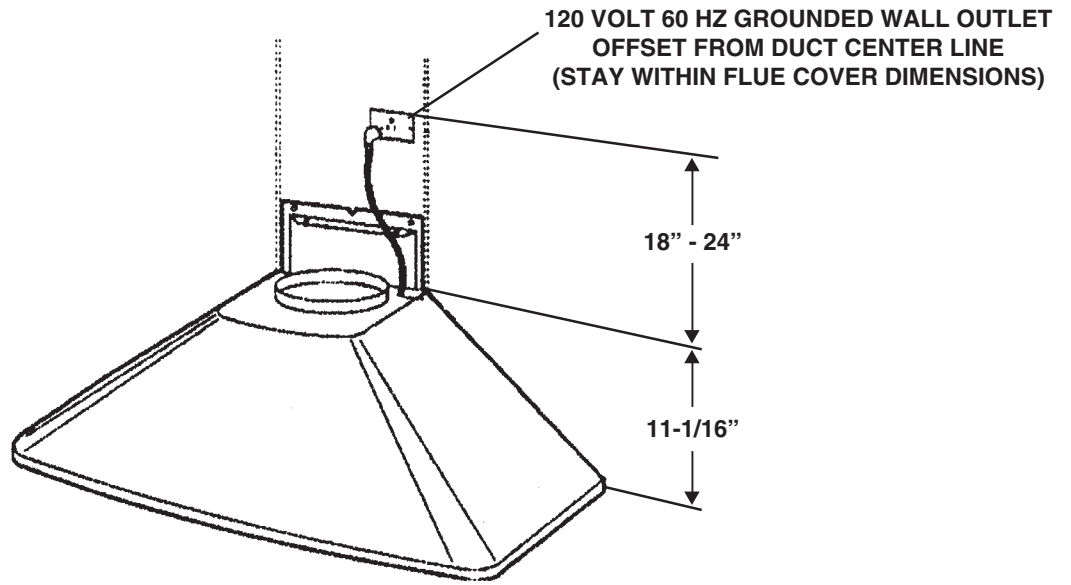


HVI-2100 CERTIFIED RATINGS comply with new testing technologies and procedures prescribed by the Home Ventilating Institute, for off-the-shelf products, as they are available to consumers. Product performance is rated at 0.1 in. static pressure, based on tests conducted in AMCA's state-of-the-art test laboratory. Sones are a measure of humanly-perceived loudness, based on laboratory measurements.

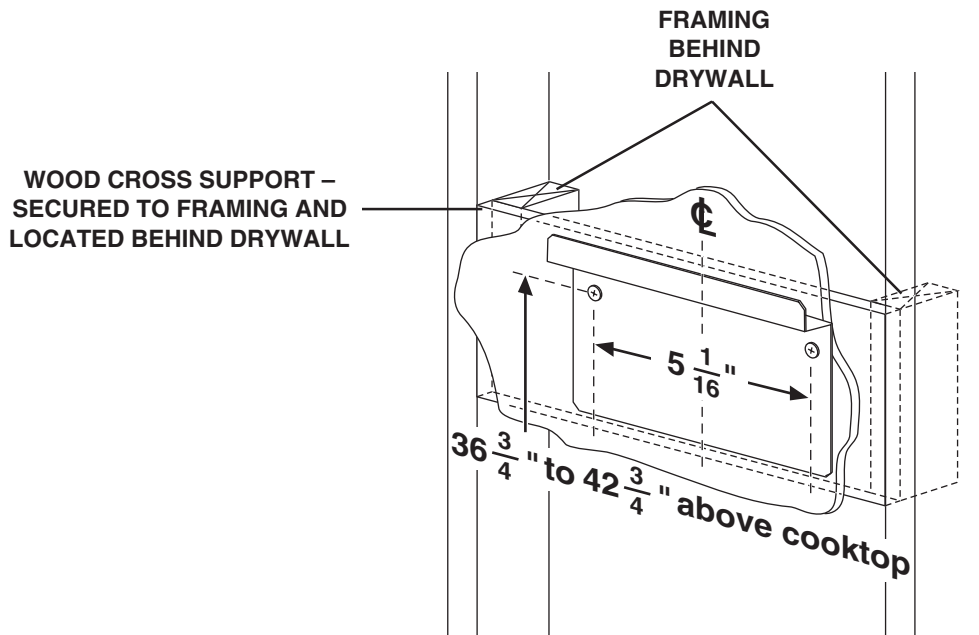
**Broan-NuTone LLC**, 926 West State Street, Hartford, WI 53027 (1-800-637-1453)  
**NuTone, Inc.**, 4820 Red Bank Road, Cincinnati, OH 45227 (1-800-543-8687)  
**Broan-NuTone Canada, Inc.**, 1140 Tristar Drive, Mississauga, Ontario, L5T 1H9 (1-888-882-7626)

REFERENCE	QTY.	REMARKS	Project
			Location
			Architect
			Engineer
			Contractor
			Submitted by <span style="float: right;">Date</span>

# RM50000 SERIES WIRING



# RM50000 SERIES MOUNTING



36-3/4" = bottom of hood 24" above cooktop  
42-3/4" = bottom of hood 30" above cooktop



Broan-NuTone LLC, 926 West State Street, Hartford, WI 53027 (1-800-637-1453)  
NuTone, Inc., 4820 Red Bank Road, Cincinnati, OH 45227 (1-800-543-8687)  
Broan-NuTone Canada, Inc., 1140 Tristar Drive, Mississauga, Ontario, L5T 1H9 (1-888-882-7626)