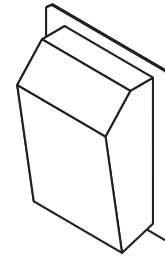


# MODEL 336 EXTERIOR BLOWER



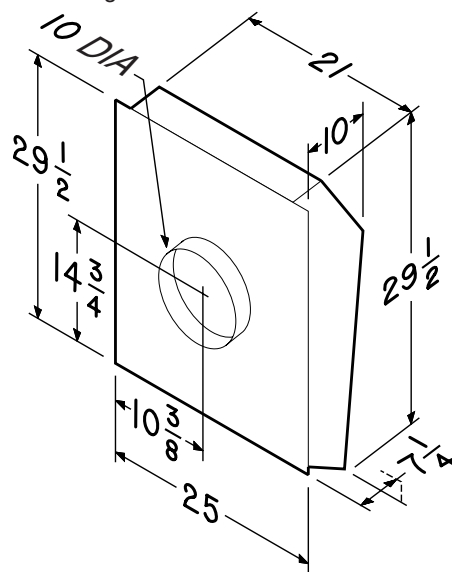
Use this high-powered ventilator to quietly and efficiently exhaust airborne contaminants from cooking and living space.

**FEATURES:**

- Brushed aluminum construction
- Built-in flashing plate for roof or wall mount
- Built-in backdraft damper and birdscreen
- Easily removable cover provides quick access to blower for cleaning and servicing
- For 10" round duct
- Thermally protected, permanently lubricated, ball-bearing motor
- Speed control compatible motor
- Dynamically balanced 14<sup>3</sup>/<sub>8</sub>" diameter backward-curved impeller
- Low RPM - quiet operation
- For use with Rangemaster 60000 Series, RM60000 Series, or 64000 Series Range Hoods

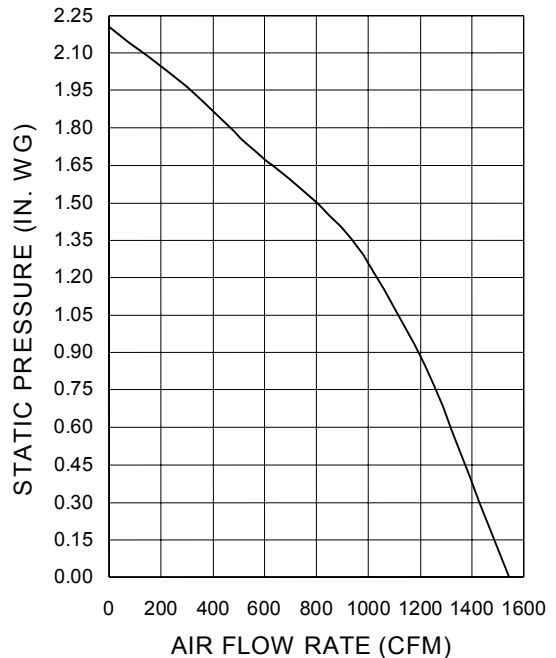
**SPECIFICATIONS**

<b>VOLTS</b>	120
<b>AMPS</b>	3.8
<b>CFM</b>	1500
<b>DUCT</b>	10" Round



**TYPICAL SPECIFICATION**

Ventilator shall be a Broan-NuTone Model 336.  
 Ventilator shall be roof (exterior wall) mountable with a 10" round duct connector.  
 Ventilator shall be of aluminum construction.  
 Ventilator shall include an automatic backdraft damper.  
 Air delivery shall be no less than 1500 CFM, as certified by HVI.



**Broan-NuTone LLC**, 926 West State Street, Hartford, WI 53027 (1-800-637-1453)  
**NuTone, Inc.**, 4820 Red Bank Road, Cincinnati, OH 45227 (1-800-543-8687)  
**Broan-NuTone Canada, Inc.**, 1140 Tristar Drive, Mississauga, Ontario, L5T 1H9 (1-888-882-7626)

REFERENCE	QTY.	REMARKS	Project
			Location
			Architect
			Engineer
			Contractor
			Submitted by <span style="float: right;">Date</span>