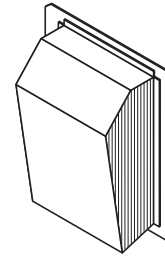


MODEL 335 EXTERIOR BLOWER



Use this high-powered ventilator to quietly and efficiently exhaust airborne contaminants from cooking and living space.

FEATURES:

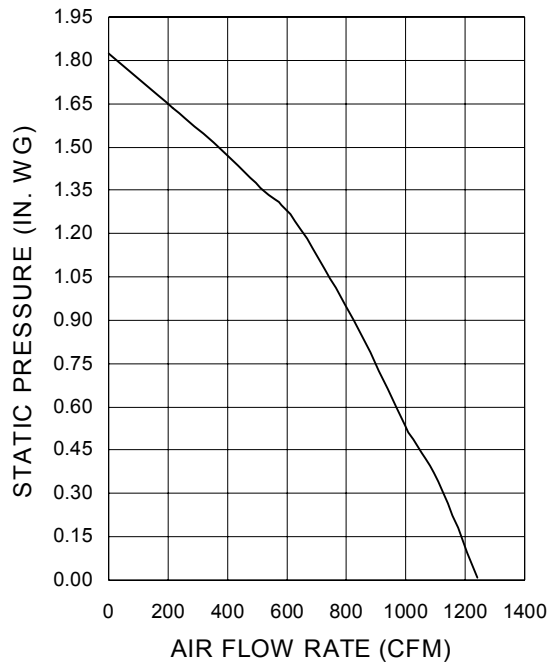
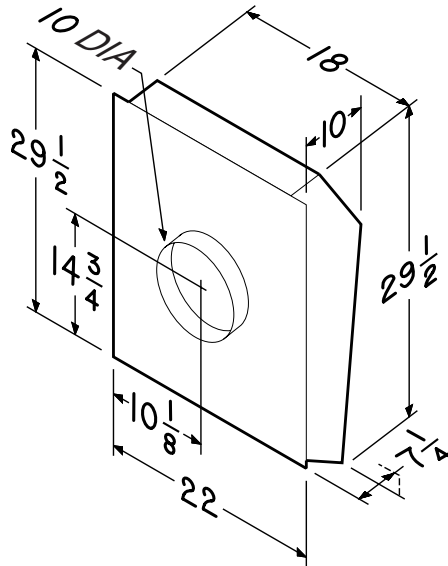
- Brushed aluminum construction
- Built-in flashing plate for roof or wall mount
- Built-in backdraft damper and birdscreen
- Easily removable cover provides quick access to blower for cleaning and servicing
- For 10" round duct
- Thermally protected, permanently lubricated, ball-bearing motor
- Speed control compatible motor
- Dynamically balanced 14" diameter backward-curved impeller
- Low RPM - quiet operation
- For use with Rangemaster 60000 Series, RM60000 Series, or 64000 Series Range Hoods

TYPICAL SPECIFICATION

Ventilator shall be a Broan-NuTone Model 335.
 Ventilator shall be roof (exterior wall) mountable with a 10" round duct connector.
 Ventilator shall be of aluminum construction.
 Ventilator shall include an automatic backdraft damper.
 Air delivery shall be no less than 1200 CFM, as certified by HVI.

SPECIFICATIONS

VOLTS	120
AMPS	3.0
CFM	1200
DUCT	10" Round



Broan-NuTone LLC, 926 West State Street, Hartford, WI 53027 (1-800-637-1453)
NuTone, Inc., 4820 Red Bank Road, Cincinnati, OH 45227 (1-800-543-8687)
Broan-NuTone Canada, Inc., 1140 Tristar Drive, Mississauga, Ontario, L5T 1H9 (1-888-882-7626)

REFERENCE	QTY.	REMARKS	Project
			Location
			Architect
			Engineer
			Contractor
			Submitted by Date