

Bathroom Exhaust Fans

MODELS: 671R & 672R

DESCRIPTION

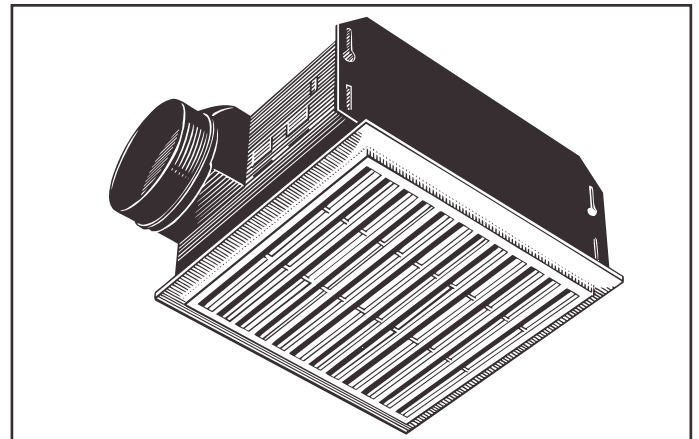
- Designed for large baths, utility rooms or laundry rooms.
- Model 671R: For baths up to 85 sq. ft.; other rooms up to 110 sq. ft.
- Model 672R: For baths up to 105 sq. ft.; other rooms up to 135 sq. ft.
- Attractive Polymeric Grille fastens easily with torsion springs.
- Motor quietly drives electronically balanced polypropylene blower wheel.
- Prewired outlet box; plug-in receptacle.
- Quiet plastic backdraft damper operates automatically.
- Refer to NuTone's catalog for a complete line of accessories to effectively adapt this Exhaust Fan to your construction requirements.

DESIGN FEATURES

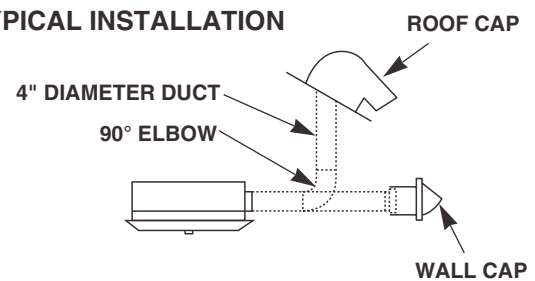
- Air Delivery:** Model 671R: 90 CFM at 0.10" S.P.
Model 672R: 110 CFM at 0.10" S.P.
- Sound Level:** Model 671R: 3.0 Sones.
Model 672R: 4.0 Sones.
- Dimensions:** Housing: 9" x 9" x 5 3/4" deep.
Grille: 10 1/2" x 10 1/4" x 3/8".
- Material & Finish:** Housing: Cold rolled steel, galvanized.
Grille: White polymeric.
- Motor:** Fully enclosed, plug-in, thermally protected, 115vAC, 60 Hz.
Model 671R: 0.8 Amp.
Model 672R: 1.2 Amp.
- Blower Wheel:** Polypropylene.
- Duct Size:** 4" diameter.

INSTALLATION

- Unit is designed for ceiling installation and attaches to joists or header between joists with slotted mounting bracket.
- Connects to 4" round duct.
- Grille installs with torsion springs and adjusts to ceiling thickness.
- Switch must be purchased separately. Refer to NuTone's catalog.
- Installation Instructions included with each unit.



TYPICAL INSTALLATION



ARCHITECT'S SPECIFICATIONS

Exhaust Fan(s) shall be Model Number 671R or Model Number 672R as manufactured by NuTone according to listed specifications.

Model 671R shall ventilate 90 CFM (45 L/s) at 0.10" S.P. at a sound level or 2.5 Sones.

Model 672R shall ventilate 110 CFM (52 L/s) at 0.10" S.P. at a sound level of 4.0 Sones.

The housing of either unit shall measure 9" x 9" x 5 3/4" deep and connect to 4" round duct.

REFERENCE	QTY.	REMARKS	Project
			Location
			Architect
			Engineer
			Contractor
			Submitted by Date



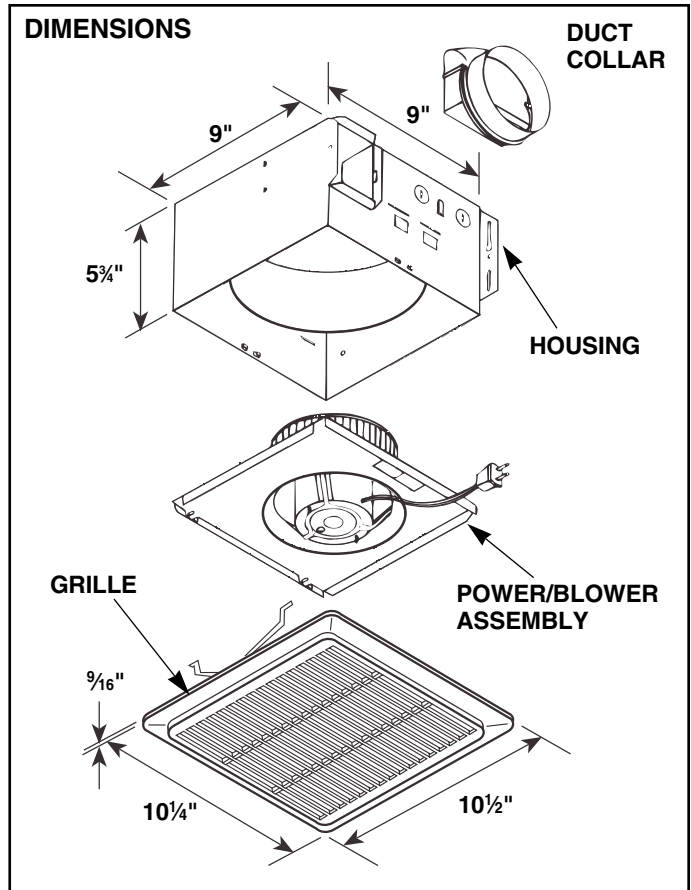
CERTIFIED TEST DATA

HVI-2100 CERTIFIED RATINGS comply with new testing technologies and procedures prescribed by the Home Ventilating Institute, for off-the-shelf products, as they are available to consumers. Product performance is rated at 0.1 in. static pressure, based on tests conducted in AMCA's state-of-the-art test laboratory. Sones are a measure of humanly-perceived loudness, based on laboratory measurements. This NuTone model is listed by Underwriters' Laboratories Inc. and certified by the Canadian Standards Association.

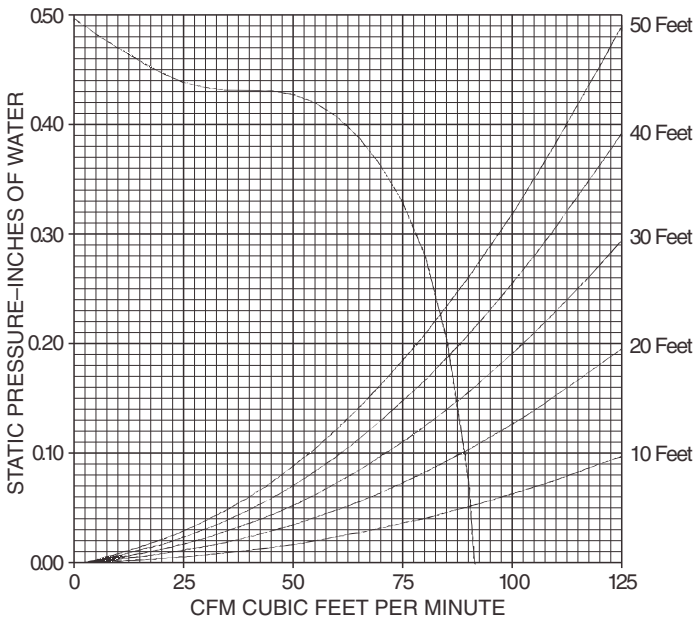
The air delivery of a ventilating system may be determined by:

1. Determine the equivalent duct length for each 90 degree elbow by adding one foot of duct length for each inch of duct diameter, i.e., a 4 inch diameter duct elbow equals 4 feet equivalent duct length and an 8 inch diameter duct elbow equals 8 feet equivalent duct length.
2. Add the total straight length of duct and the equivalent length for each elbow to obtain the total equivalent duct length.
3. Locate the intersection of the fan performance curve and the total equivalent duct length curves and draw a vertical line down to the CFM scale and read the system air performance.

(NOTE: 3¼" x 10" duct equals 6 inch diameter duct.)

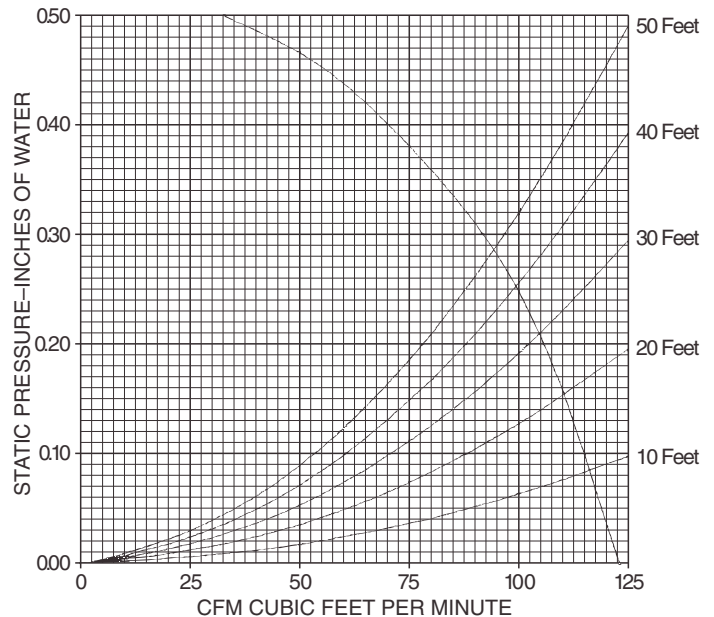


AIR PERFORMANCE CURVE – MODEL 671R
(4 In. Duct to 10 Foot Lengths)



STATIC PRESSURE INCHES OF WATER	0.05	0.1	0.15	0.2	0.25	0.3	0.35	0.4	0.45
CFM	91	90	87	85	82	78	67	62	-

AIR PERFORMANCE CURVE – MODEL 672R
(4 In. Duct to 10 Foot Lengths)



STATIC PRESSURE INCHES OF WATER	0.05	0.1	0.15	0.2	0.25	0.3	0.35	0.4	0.45
CFM	119	115	111	106	101	92	84	70	55

Product specifications subject to change without notice.