



Congratulations on your purchase of a **Minka-Aire™** ceiling fan! Your new fan will be a beautiful addition to your home, and will keep you comfortable throughout the year. The **Minka-Aire™** offers a variety of ceiling fans. We offer combinations of wood and brass finishes, solid designer colors, and our unique glass and crystal designs. A large selection of light fixtures and light kits is also available. Ask your dealer about other accessories that will allow you to further customize your fan.

We're certain that your **Minka-Aire™** fan will provide you with many years of comfort, energy savings and satisfaction. To ensure your personal safety and to maximize the performance of your fan, please read this manual thoroughly.

LIMITED LIFETIME WARRANTY

Minka-Aire™ warrants this fan to be free from defects in material and workmanship for one year from the date of purchase, except for the motor. **Minka-Aire™** warrants to the original owner that the motor in this fan shall be free from defects in material and workmanship for as long as the original purchaser owns the fan. **Minka-Aire's™** only obligation under this limited warranty is to replace, repair or refund the purchase price for any fan confirmed by **Minka-Aire™** to be defective in material or workmanship after such fan is returned to **Minka-Aire™** by the original purchaser along with a proof of purchase and with shipping charges prepaid. This warranty shall not apply to fans which have been damaged as a result of improper installation, removed from the original installation or subjected to use for which the fan was not designed. The customer shall be responsible for any cost of removing the old fan, installing a new fan or any other costs.

This limited lifetime warranty is in lieu of all other express warranties. **Minka-Aire™** shall under no circumstances be liable for any incidental or consequential damages.

Date Purchased _____

Store Purchased _____

Model No. F598

Serial No. _____

CONTENTS

SAFETY FIRST	1
PACKAGE CONTENTS	2
BEGIN INSTALLATION	3
ATTACHING THE FAN BLADES	4
HANGING THE FAN	5
ELECTRICAL CONNECTIONS	6
INSTALLING THE WALL TRANSMITTER	7
FINISHING THE INSTALLATION	8
INSTALLING THE LIGHT BULBS AND GLASS DIFFUSERS	9
OPERATING THE WALL TRANSMITTER	10
OPERATING YOUR FAN	11
MAINTENANCE	12
TROUBLESHOOTING	13
SPECIFICATIONS	14

minkaAireTM

1151 W. Bradford Court Corona, California 92882
All Rights Reserved



1. SAFETY FIRST

1. Before you begin installing the fan, **shut the power off** at the circuit breaker or the fuse box.

2. Be Cautious! Read all instructions and safety information before installing your new fan. Review the accompanying assembly diagrams.

3. Make sure that all electrical connections comply with local codes, ordinances, or National Electrical Codes. Hire a qualified electrician or consult a do-it-yourself wiring handbook if you are unfamiliar with installing electrical wiring.

4. Make sure the installation site you choose allows the fan blades to rotate without any obstructions. Allow a **minimum clearance of 7 feet** from the floor to the lowest edge of the blades and **18 inches** from the tip of the blade to the wall.

5. If you are mounting the fan to a ceiling outlet box, use a U.L. Listed metal octagonal outlet box marked "Acceptable for fan support". Secure the box directly to the building structure. The outlet box and its support must be able to support the moving weight of the fan (at least 50 lbs.). **Do not use a plastic outlet box.**

6. To reduce the risk of fire, electric shock or personal injury, mount to outlet box marked acceptable for fan support and use screws provided with the outlet box.

7. If you are mounting the fan to a joist, make sure it is able to support the moving weight of the fan (at least 50 lbs.).

8. After you install the fan, make sure that all mountings are secured to prevent the fan from falling.

9. Do not insert anything into the fan blades while fan is operating.

10. Turn the fan off and wait for it to stop before reversing fan direction.

***NOTE:** The important safeguards and instructions appearing in this manual are not meant to cover all possible conditions and situations that may occur. It must be understood that common sense, caution and care are factors which can not be built into this product. These factors must be supplied by the person(s) installing, caring for and operating the unit.*

WARNING

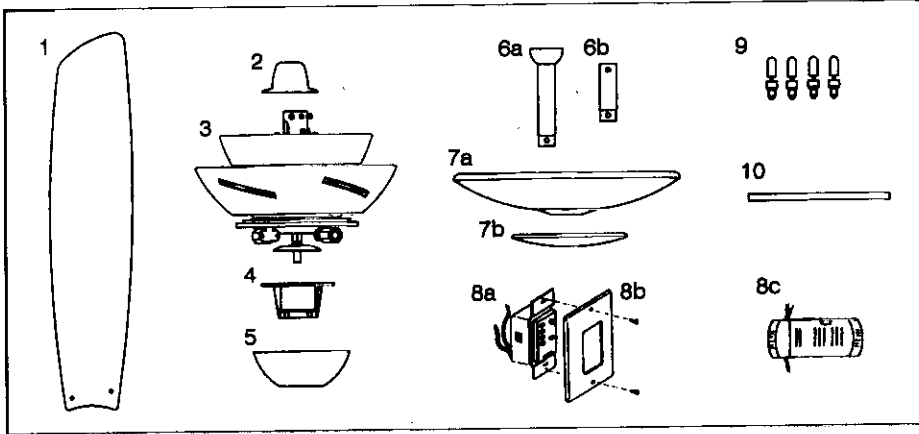
SUPPORT DIRECTLY FROM BUILDING STRUCTURE.

TO REDUCE THE RISK OF FIRE, ELECTRIC SHOCK, OR OTHER PERSONAL INJURY, MOUNT FAN ONLY ON A U.L. LISTED OUTLET BOX OR SUPPORTING SYSTEM MARKED ACCEPTABLE FOR FAN SUPPORT AND USE MOUNTING SCREWS PROVIDED WITH THE OUTLET BOX IN CONJUNCTION WITH THE LOCKWASHERS PROVIDED WITH THE FAN. MOST OUTLET BOXES COMMONLY USED FOR THE SUPPORT OF LIGHTING FIXTURES ARE NOT ACCEPTABLE FOR FAN SUPPORT AND NEED TO BE REPLACED. CONSULT A QUALIFIED ELECTRICIAN IF IN DOUBT.

TO REDUCE THE RISK OF PERSONAL INJURY, DO NOT BEND THE BLADE HOLDERS WHILE INSTALLING, BALANCING THE BLADES, OR CLEANING THE FAN. DO NOT INSERT FOREIGN OBJECTS BETWEEN ROTATING FAN BLADES.

TO REDUCE THE RISK OF FIRE OR ELECTRIC SHOCK, DO NOT USE THIS FAN WITH ANY SOLID-STATE SPEED CONTROL DEVICE.

PACKAGE CONTENTS 2.



Unpack your fan and check the contents. You should have the following items:

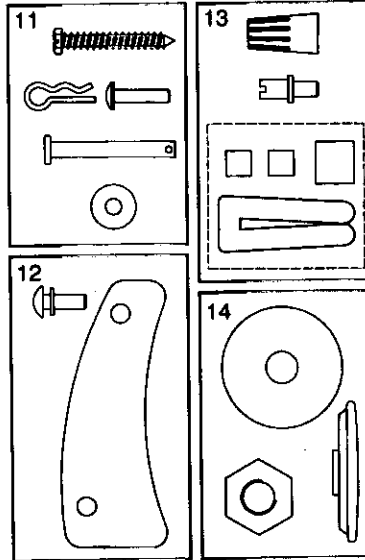
1. Fan blade
2. Coupling cover
3. Fan motor/housing ass'y
4. Hanger bracket with rubber pad attached
5. Canopy
- 6a. Standard downrod ass'y
- 6b. Minimum-length downrod (for close to ceiling mounting only)
- 7a. Large glass diffuser
- 7b. Small glass diffuser
- 8a. Wall transmitter with 2 mounting screws and 3 wire nuts
- 8b. Decorator faceplate with 2 mounting screw
- 8c. Receiver with 5 wire nuts
9. Halogen bulbs (50w 2pcs, 75w 2pcs)
10. Wire mesh

11. Mounting Hardware:

- #10-12 x 2-3/8" Screws (2 pcs)
- #8-32 x 3/4" Machine Screws (2 pcs)
- Metal washers (2 pcs)
- Lock Pin (1 pc) & Hitch Pin (1 pc) (Pre-attached to the downrod ass'y)

12. Blade Attachment Hardware:

- Blade Support Plate (5 pcs)
- 3/16" x 14mm screws with spring washers attached (11 pcs)



13. Miscellaneous Parts:

- Wire Nut (3 pcs)
- Balancing Kit
- Thumb Screws (2 pcs) (for wire mesh attachment)

14. Light Kit Hardware:

- Light Kit Cap (1 pc)
- Metal Washer ϕ 38mm (1 pc)
- Hex nut (1 pc)

3. BEGIN INSTALLATION

Tools Required: Phillips screw driver; slotted screw driver; pliers; wire cutters; electrical tape.

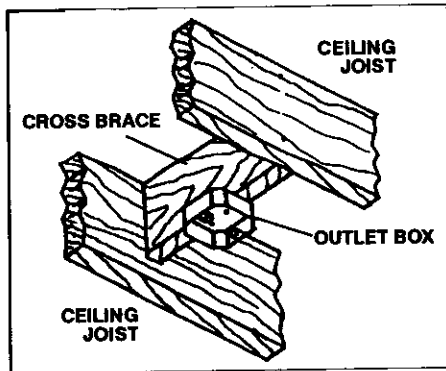


FIG. 1

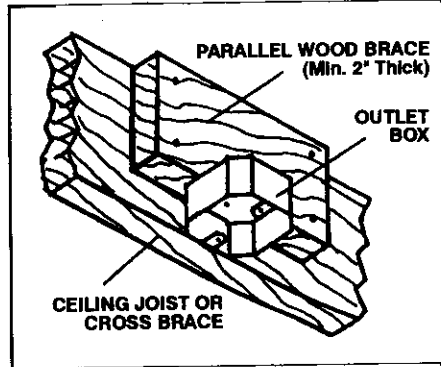


FIG. 2

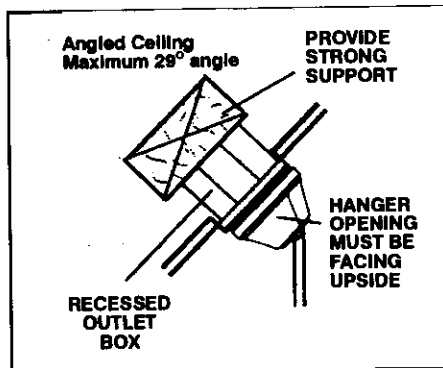


FIG. 3

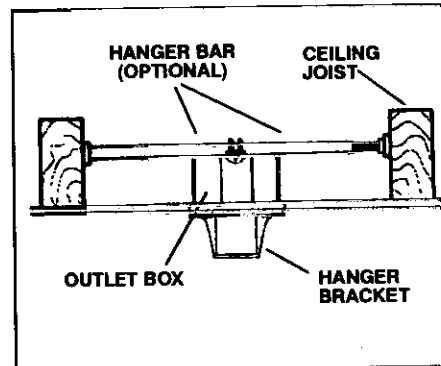


FIG. 4

MOUNTING OPTIONS

If there isn't an existing mounting box, then read the following instructions. Shut the power off at the circuit breaker or fuse box.

Secure the outlet box directly to the building structure. Use appropriate fasteners and building materials. The outlet box and its support must be able to fully support the moving weight of the fan (at least 50 lbs.). Use a U.L. Listed metal outlet box marked "Acceptable for ceiling fan support". Do not use a plastic outlet box.

Figures 1, 2 and 3 are examples of different ways to mount the outlet box. Note: You may need a longer downrod to maintain proper blade clearance when installing on a steep, sloped ceiling. Longer downrods are available from your **Minka-Aire™** dealer.

To hang your fan where there is an existing fixture but no ceiling joist, you may need to install a hanger bar as shown in Fig. 4 (available at your **Minka-Aire™** dealer).

ATTACHING THE FAN BLADES 4.

NOTE: To avoid damage to the finish of fan components, place one or two large pillows or a thick blanket over the surface where the blade assembly is going to be done.

Step 1. (Fig. 5) Insert the blade into the motor housing blade slot, the side marked "This side up" must face the ceiling.

Step 2. (Fig. 5) Place a blade support plate over the blade; align the 2 holes from the blade support plate, blade and blade bracket, secure with two screws provided.

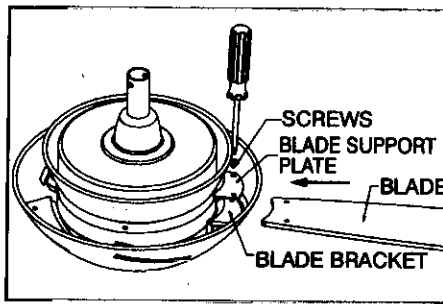


FIG. 5

HANGING THE FAN 5.

REMEMBER to shut the power off at the circuit breaker or fuse box.

Step 1. Secure the hanger bracket to the ceiling outlet box using screws provided with the outlet box and flat washers provided with the fan. (Fig. 6)

Note: Optional wood screws are provided for mounting of hanger bracket directly to building structure.

Step 2. Loosen the two set screws in the top coupling of the top housing assembly. (Fig. 7)

Step 3. Remove downrod hanger ball by loosening set screw, removing the cross pin, and sliding ball off rod. Remove the hitch pin and lock pin. (Fig. 8)

Step 4. Carefully feed fan wires up through the downrod, thread the rod into the coupling and tighten onto fan until the holes are aligned. Next, replace lock pin and hitch pin. Tighten the set screws. (Fig. 9)

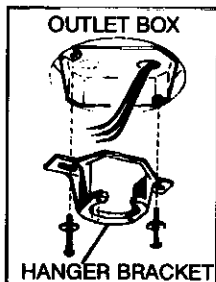


FIG. 6

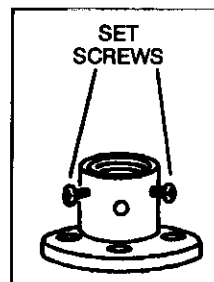


FIG. 7

5. HANGING THE FAN

NOTE: Before hanging the fan, install two 50 watt bulbs (type JD E11 tungsten halogen) provided with the fan to the upper light kit above the fan motor assembly.

WARNING: Allow the bulbs to cool completely before touching or replacing the bulbs to avoid accidental burning of the skin.

TO REDUCE THE RISK OF FIRE, DO NOT EXCEED MAXIMUM 50 WATTAGE.

Step 5. Slip wire mesh, coupling cover and then canopy onto the downrod. Secure the wire mesh to the switch cup inside the upper light kit as a safety insulator by 2 thumb screws provided to prevent from touching the hot bulbs. Carefully reinstall the hanger ball onto the rod being sure that cross pin is in correct position, set screw on the hanger ball is tight and wires are not twisted. (Fig.9)

Step 6. Now lift motor assembly into position and place downrod ball into hanger bracket. Rotate until the check groove has dropped into the registration slot and seats firmly. Rod should not rotate if this is done correctly. (Fig. 10)

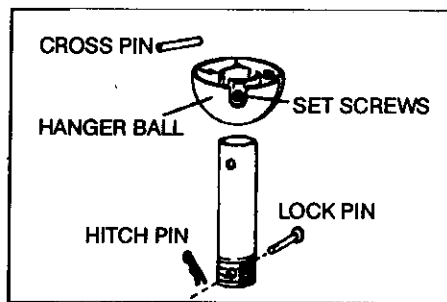


FIG. 8

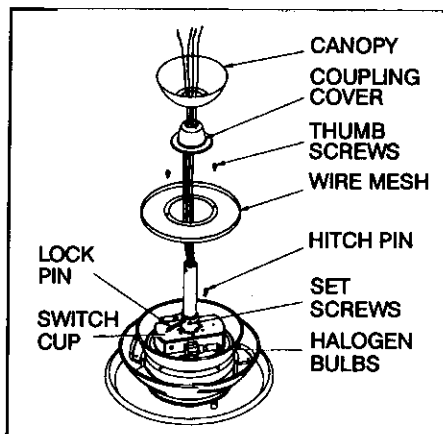


FIG. 9

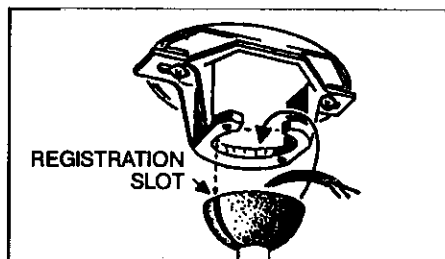


FIG. 10

ELECTRICAL CONNECTIONS 6.

REMEMBER to shut the power off at the circuit breaker or fuse box.

NOTE: (Fig. 11) This remote control unit is equipped with 16 code combinations to prevent possible interference from or to other remote units. The frequency switches on your receiver and transmitter have been preset at the factory. Please recheck to make sure the switches on wall transmitter and receiver are set to the same position, any combination of settings will operate the fan as long as the wall transmitter and receiver are set to the same position.

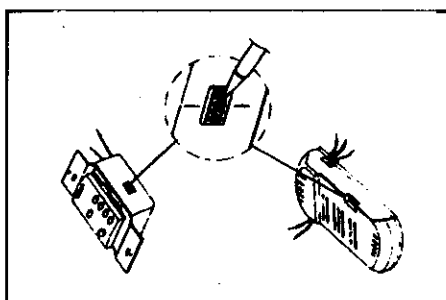


FIG. 11

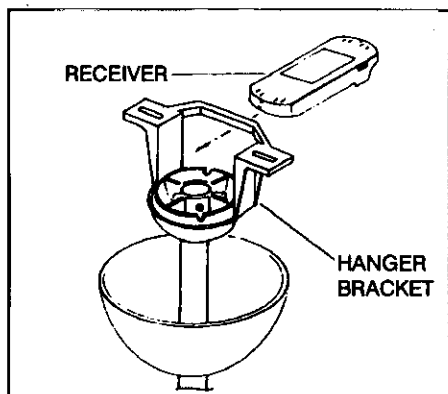


FIG. 12

Because the frequency switches are small, please use a fine point instrument to adjust the setting.

Step 1. (Fig. 12) Insert the receiver into the hanger bracket with the flat side of the receiver facing the ceiling.

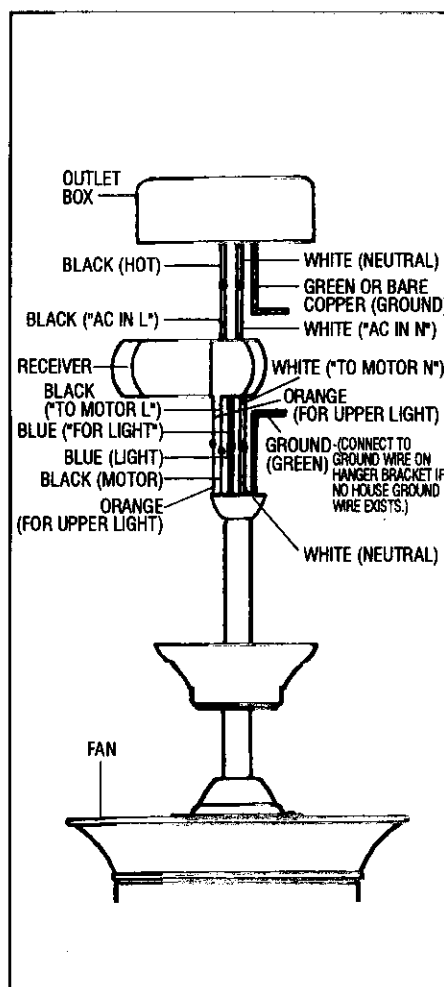


FIG. 13

6. ELECTRICAL CONNECTIONS

Step 2. (Fig. 13 & 14) Motor to Receiver Electrical Connections: Connect the Black wire from the fan to Black wire marked "To Motor L" from the receiver. Connect the White wire from the fan to the White wire marked "To Motor N" from the receiver. Connect the Blue wire from the fan to the Blue wire marked "For Light" from the Receiver. Connect the Orange wire from fan to the Orange wire from receiver marked "For Upper Light". Secure wire connections with the plastic wire nuts provided.

Step 3. (Fig. 13 & 14) Receiver to House Supply Wires Electrical Connections: Connect the Black (hot) wire from the ceiling to the Black wire marked "AC in L" from the

Receiver. Connect the White (neutral) wire from the ceiling to the White wire marked "AC in N" from the Receiver. Secure wire connections with the plastic wire nuts provided.

Step 4. If your outlet has a ground wire (Green or Bare Copper), connect the fan ground wires (on hanger ball and hanger bracket) to it; otherwise, connect the fan ground wire on hanger ball directly to hanger bracket.

Step 5. After the splices are made, spread the wires apart so that the green and white wires are one side of the outlet box and the black wire and the blue wire are on the other side of the outlet box. Turn splices upward and tuck them carefully into outlet box.

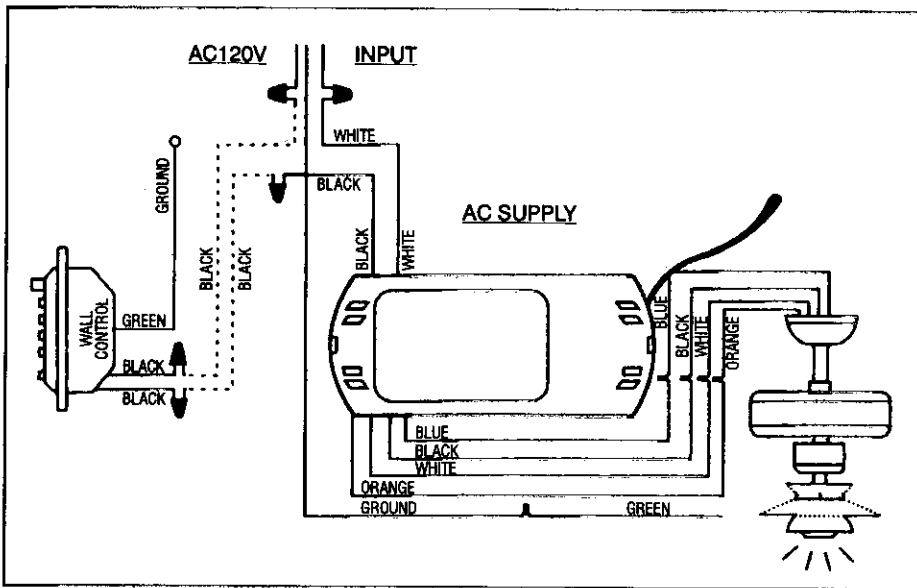


FIG. 14

INSTALLING THE WALL TRANSMITTER 7.

WARNING: HOOK UP "IN SERIES" ONLY. DO NOT CONNECT THE HOT AND NEUTRAL WIRES OF ELECTRIC CIRCUIT TO THE TRANSMITTER WALL SWITCH, DAMAGE TO THE SWITCH AND POSSIBLE FIRE COULD OCCUR.

Step 1. Remove the existing wall plate and switch from the wall junction box.

Step 2. Make the electrical connections as shown in Fig. 14.

If your junction box has a ground wire (Green or Bare Copper), connect the transmitter's ground wire to it. Otherwise connect the transmitter ground wire directly to one of the screws from the junction box.

Step 3. (Fig. 15). Carefully tuck the wire connections inside the junction box. Secure the wall transmitter with the two screws provided. Attach the decorator faceplate over the wall transmitter and secure with the two screws provided.

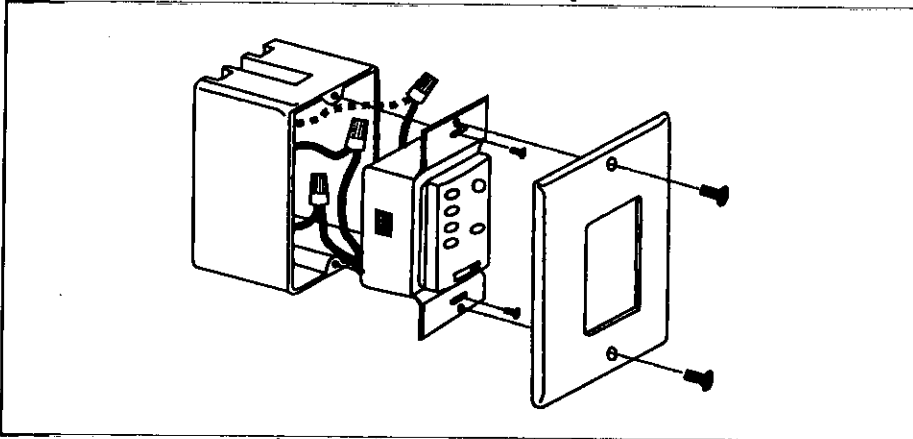


FIG. 15

FINISHING THE INSTALLATION 8.

Step 1. Slide canopy up against ceiling. Align key holes in canopy with screws on hanger bracket and rotate canopy clockwise to lock it into place. Secure canopy to hanger bracket by tightening the two screws. (Fig. 16)

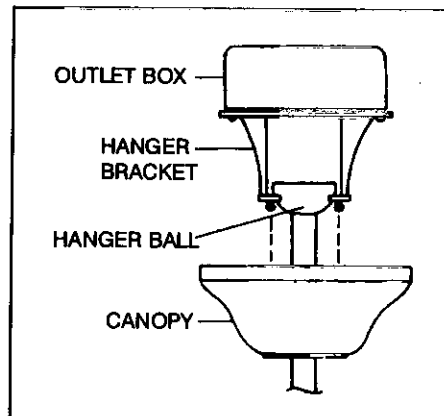


FIG. 16

9. INSTALLING THE LIGHT BULBS AND GLASS DIFFUSERS

REMEMBER to disconnect the power.

Step 1. Install two 75 watt bulbs (type JD E11 tungsten halogen) provided with the fan to the light kit plate below the fan motor.

TO REDUCE THE RISK OF FIRE, DO NOT EXCEED MAXIMUM 75 WATTAGE.

Step 2. Insert the large glass diffuser onto the light kit stem and tighten with metal washer and hex nut provided with the fan, then insert the small glass diffuser onto the stem and secure it with the light kit cup. (Fig. 17)

NOTE: Because the space between the light kit plate and the large glass diffuser is narrow, it may be not easy to replace the light bulbs with glass diffuser installed, remove the large and small glass diffuser from the light kit stem before replacing the light bulbs.

WARNING: Do not over tighten the securing hex nut, over tightening the securing hex nut may cause the glass to break.

WARNING: Allow the bulbs, metal washer and hex nut to cool completely before touching or replacing the bulbs to avoid accidental burning of the skin.

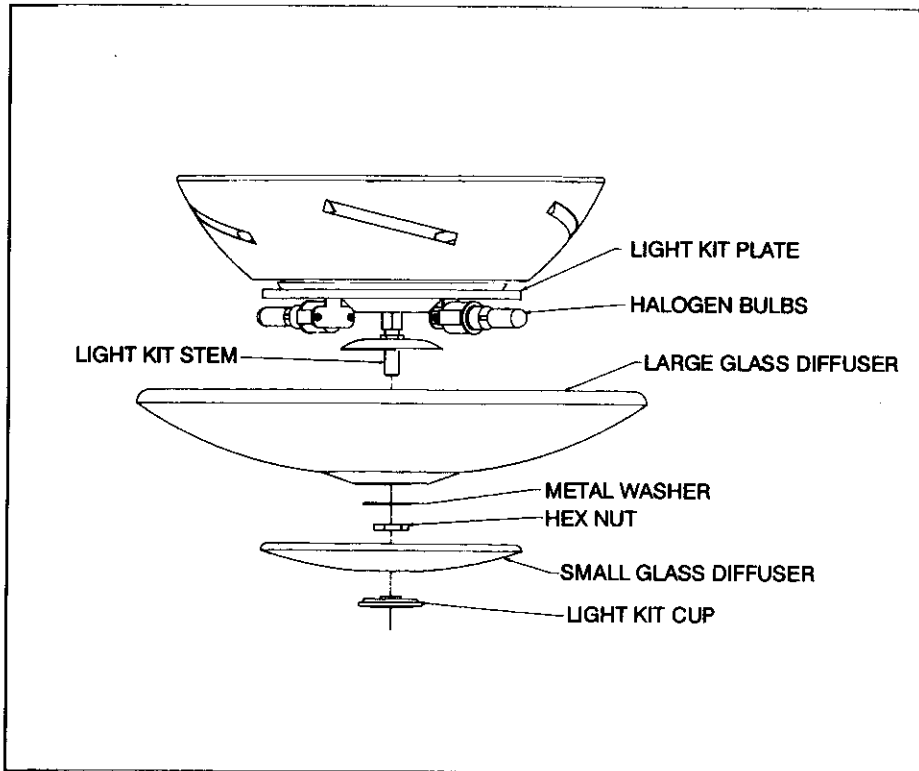


FIG. 17

OPERATING THE WALL TRANSMITTER 10.

1. HI, MED & LOW:

These three buttons are used to set the fan speeds as High, Medium and Low.

2. FAN OFF:

This button turns the fan Off.

3. U/L:

This button turns the upper light On or Off and also controls the brightness setting. Momentarily press this button will turn the upper light On or Off ; pressing and holding this button dims the light to set the desired brightness.

This light key has an auto-resume, it will stay at the same brightness as the last time it was turned off.

4. D/L:

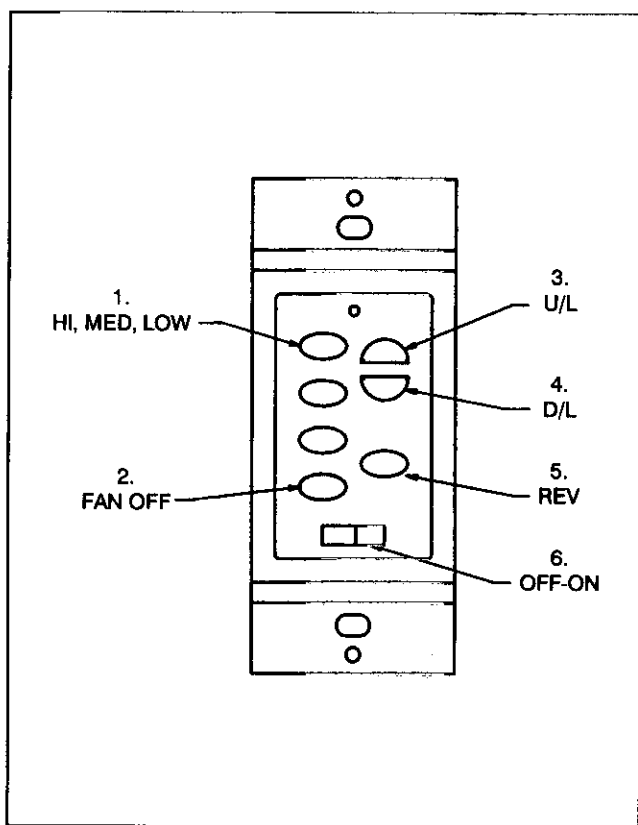
This button turns the down light On or Off and also controls the brightness setting. Momentarily press this button will turn the down light On or Off ; pressing and holding this button dims the light to set the desired brightness.

This light key has an auto-resume, it will stay at the same brightness as the last time it was turned off.

5. REV:

This button reverses the fan's direction of rotation.

6. The "OFF -ON" slide switch turns all power Off or On for both fan and light.



11. OPERATING YOUR FAN

Restore power to ceiling fan and test for proper operation.

Speed settings for warm or cool weather depend on factors such as the room size, ceiling height, number of fans, etc.

The wall transmitter controls the forward or reverse direction.

NOTE: WAIT FOR FAN TO STOP BEFORE REVERSING THE DIRECTION OF BLADE ROTATION.

Warm weather -(Forward) A downward air flow creates a cooling effect as shown in Figure 18. This allows you to set your air conditioner on a warmer setting without affecting your comfort.

Cool weather -(Reverse) An upward airflow moves warm air off the ceiling area as shown in Figure 19. This allows you to set your heating unit on a cooler setting without affecting your comfort.

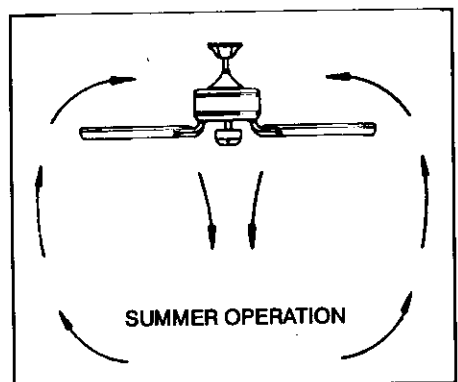


FIG. 18

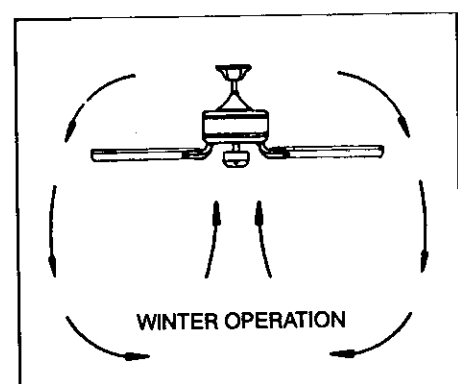


FIG. 19

MAINTENANCE 12.

Here are some suggestions to help you maintain your fan.

1. Because of the fan's natural movement, some connections may become loose. Check the support connections, brackets, and blade attachments twice a year. Make sure they are secure. **(It is not necessary to remove fan from ceiling.)**

2. Clean your fan periodically to help maintain its new appearance over the years. Do not use water when cleaning. This could damage the motor, or the wood, or possibly cause an electrical shock.

3. Use only a soft brush or lint-free cloth to avoid scratching the finish. The plating is sealed with a lacquer to minimize discoloration or tarnishing.

4. You can apply a light coat of furniture polish to the wood for additional protection and enhanced beauty. Cover small scratches with a light application of shoe polish

5. **There is no need to oil your fan.** The motor has permanently lubricated bearings.

6. All glass should be cleaned using lukewarm soapy water and a soft cloth or sponge. **DO NOT IMMERSE GLASS IN HOT WATER. DO NOT PUT GLASS INTO AN AUTOMATIC DISHWASHER.**

WARNING

Make sure the power is off at the electrical panel box before you attempt any repairs. Refer to the section.

"Making Electrical Connections".

13. TROUBLESHOOTING

Problem Solution

- Fan will not start.**
1. Check fuses or circuit breakers.
 2. Check line wire connections to fan.
 3. Check to make sure the dip switches are set to the same frequency on receiver and wall control.

CAUTION: Make sure main power is off.

- Fan sounds noisy.**
1. Allow a 24-hour "break-in" period. Most noises associated with a new fan go away during this time.
 2. Make sure all motor housing screws are snug.
 3. Make sure that the screws that attach the fan blade bracket to the motor hub are tight.
 4. Make sure your outlet box is secured and rubber pads were between the hanger bracket and outlet box.

- Fan Wobbles**
1. Check that all blade and blade holder screws are secured.
 2. Make sure your hanger bracket and outlet box are secure.
 3. Use the enclosed blade balancing kit if blade wobble is still excessive. (See instructions included with the balancing kit.)

NOTE: All blade sets are grouped by weight. Because natural woods blades vary in density, the fan may wobble even though blades are weight matched.

14. SPECIFICATIONS

Fan Size	Speed	Volts	Amps	Watts	RPM	CFM	N.W.	G.W.	V.
54"	Low	120	0.35	10	60	1500	lbs	lbs	
	Med	120	0.53	32	105	3600	26.4	31.9	3.16
	High	120	0.72	85	170	6700			

These are typical readings. Your actual fan may vary. They do not include amps or wattage used by the light kit.

For any additional information about your **Minka-Aire™** Ceiling Fan, please write to:

Minka-Aire™ 1151 W. Bradford Court
Corona, California 92882

For customer assistance call: 1-800-307-3267

MK02