

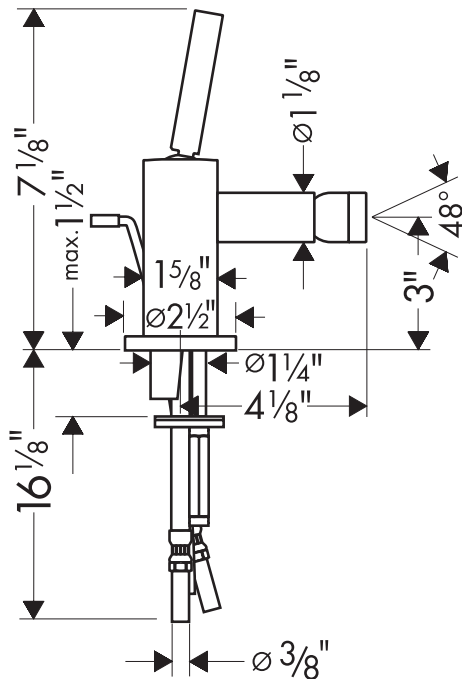
Product Features

- Award winning design
- Single hole installation
- Single handle with ceramic cartridge
- Swivel spout aerator
- 2.2 gpm
- Includes pop-up drain

Code Compliance

This unit meets or exceeds the following:

- ASME A112.18.1
- CSA B125.1
- Listed by IAPMO
- ADA compliant
- Approved for use in Massachusetts



The measurements shown are for reference only.

Products and specifications shown are subject to change without notice.

Specification sheet revised 12/2007

Available Finishes

Chrome

39200001

Brushed Nickel

39200821

Installation Notes

- 3/8" supply hoses - requires 3/8" compression fittings
- Not for use on a vertical spray bidet