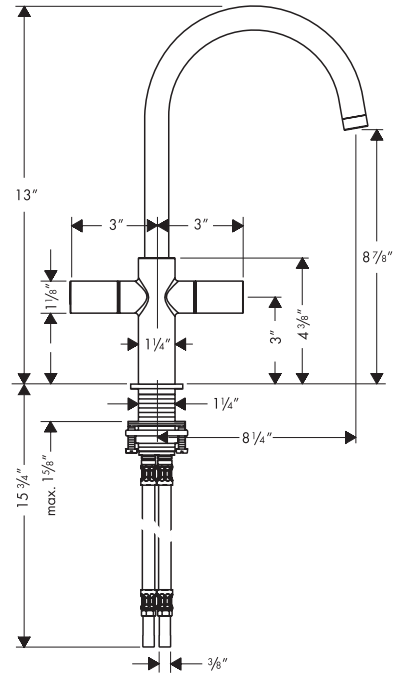
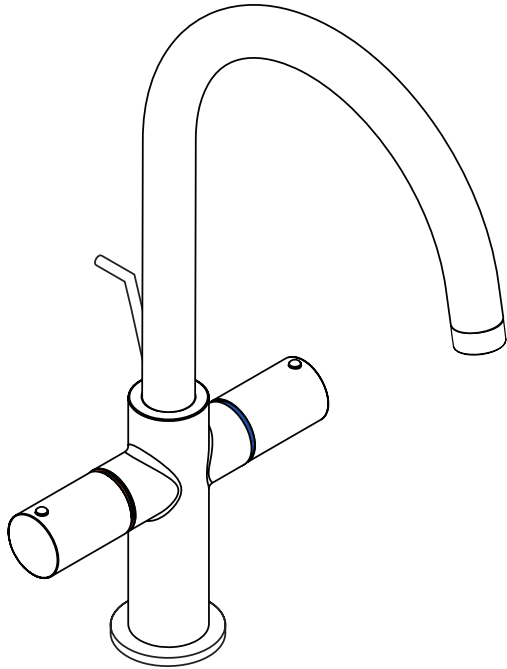


Axor Uno² Lav Mixer with High Spout 38040XX1

Available in Chrome (00), Brushed Nickel (82)



Product Specification

Single hole installation

Solid brass

Two handle - 90° ceramic valve cartridges

Spout arm swivels 150°

Flow rate 2.2 gpm

Includes pop-up drain

Hole size in mounting surface 1 ³/₈"

Max. mounting surface thickness 1 ⁵/₈"

³/₈" supply hoses - requires ³/₈" compression fittings (not included)

hansgrohe