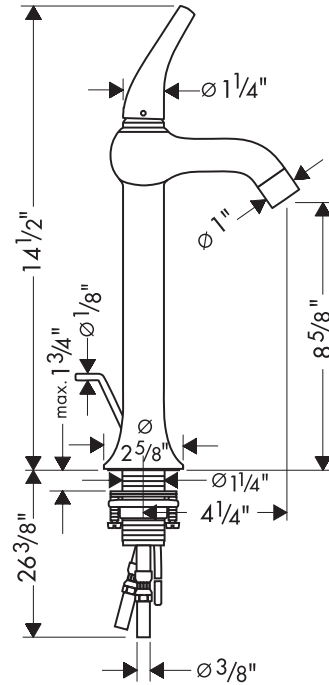
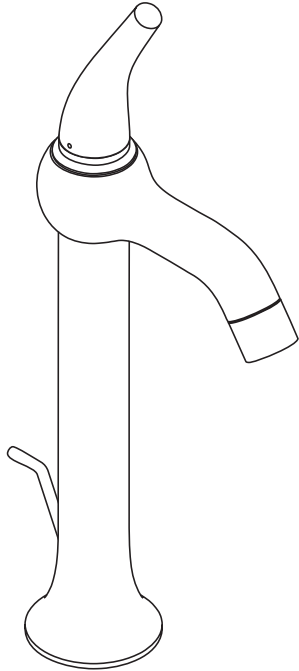


# Axor Terrano Lav Mixer 37020XX1

Available in Chrome (00), Satinox (81), Brushed Nickel (82)



## Product Specification

Single control

Single hole installation

Ceramic valve cartridge

Includes pop-up drain

Flexible 3/8" supply hoses – requires 3/8" compression fittings (not included)

Hole size in mounting surface: 1 3/8"

Max. mounting surface thickness: 1 3/4"