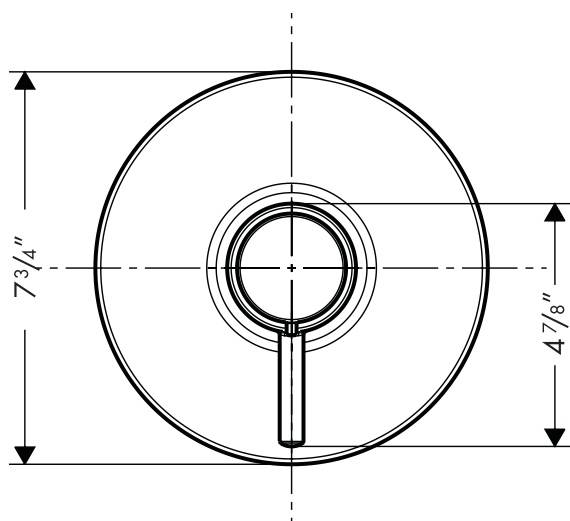


## Product Features

- Thermostatic temperature control and volume control in one unit
- Integrated two-way diverter – controls two functions
- 100° Safety stop
- High temperature limit stop may be reset to comply with local plumbing codes
- Flow rate 8.0 gpm @ 44 psi

## Available Finishes

Chrome	32317000
Brushed Nickel	32317820



## Required Accessories

ThermoBalance II rough	06623000
or	
ThermoBalance II rough with stops	06627000

The measurements shown are for reference only.

Products and specifications shown are subject to change without notice.

Specification sheet revised 2/2008