

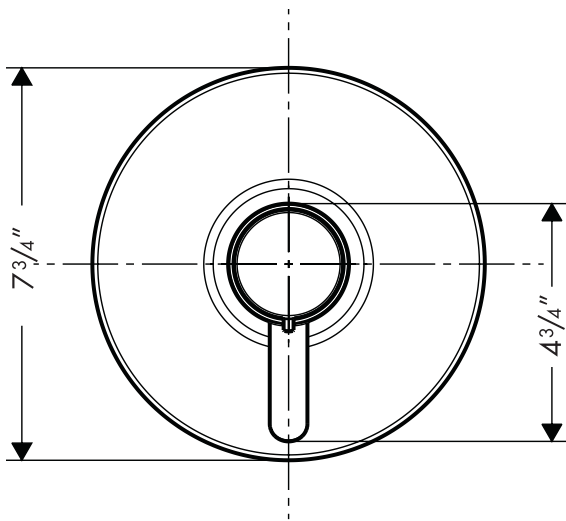
Product Features

- Thermostatic temperature control and volume control in one unit
- Integrated two-way diverter – controls two functions
- 100° Safety stop
- High temperature limit stop may be reset to comply with local plumbing codes
- Flow rate 8.0 gpm @ 44 psi

Available Finishes

Chrome

31736000



Required Accessories

ThermoBalance II rough

06623000

or

ThermoBalance II rough with stops

06627000

The measurements shown are for reference only.

Products and specifications shown are subject to change without notice.

Specification sheet revised 2/2008