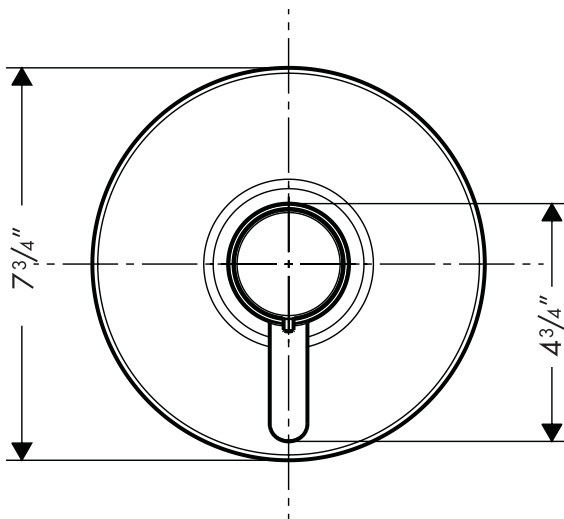


Product Features

- Thermostatic temperature control and volume control in one unit
- Controls one function
- 100° Safety stop
- High temperature limit stop may be reset to comply with local plumbing codes
- Flow rate 9.5 gpm @ 44 psi when used with rough 06622 or 06621
- Flow rate 6.0 gpm @ 44 psi when used with rough 06300 or 06301

Available Finishes

Chrome 31735000



Required Accessories

ThermoBalance I rough 06622000
or
ThermoBalance I rough with stops 06621000
or
ThermoBalance I rough with bypass 06300000
or
ThermoBalance I rough with bypass and stops 06301000

The measurements shown are for reference only.

Products and specifications shown are subject to change without notice.

Specification sheet revised 2/2008