

Product Features

- Solid brass
- Single-hole mount
- Single handle with M2 ceramic cartridge
- Swivel bidet aerator
- 2.2 gpm
- Includes pop-up drain

Code Compliance

This unit meets or exceeds the following:

- ADA compliant

Available Finishes

Chrome

31721001

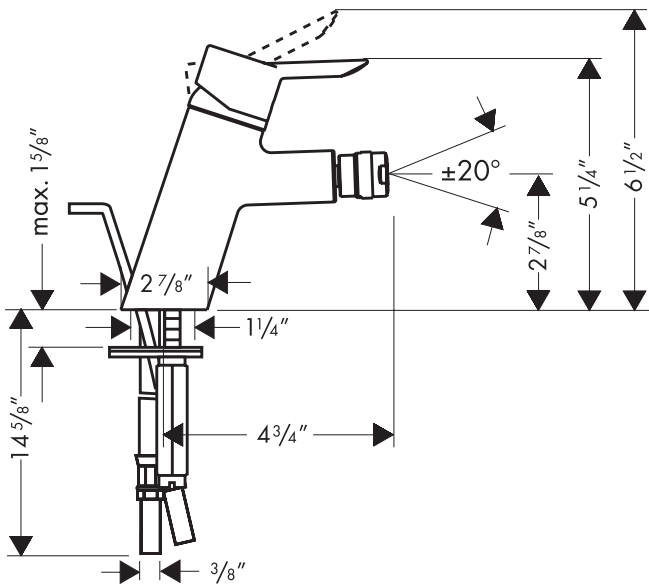
Installation Notes

- 3/8" supply hoses - requires 3/8" compression fittings
- Not for use on vertical spray bidet

Optional Accessories

6" baseplate

06490XX0



The measurements shown are for reference only.

Products and specifications shown are subject to change without notice.

Specification sheet revised 2/2008