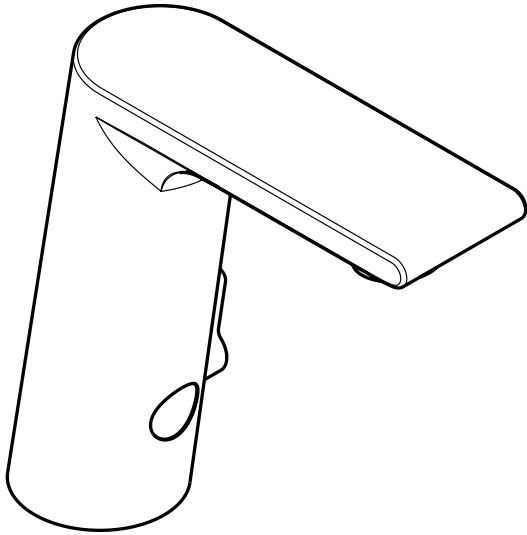


# Metris Electronic Lavatory Faucet with Temperature Control

31100001



## Product Features

- Infrared sensor technology
- Battery operated
- Built-in stop for cleaning
- Manual temperature control
- Flexible supply hoses with 3/8" adapters
- Automatic shutoff after 35 seconds
- 1.5 gpm max.

## Code Compliance

This unit meets or exceeds the following:

- ASME A112.18.1
- CSA B125.1
- Listed by IAPMO
- ADA compliant
- Approved for use in Massachusetts

## Available Finishes

Chrome

31100001

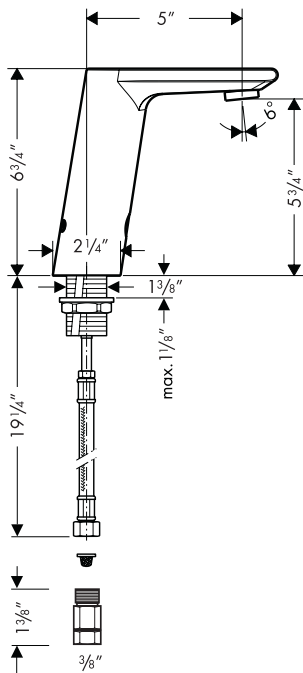
## Optional Accessories

Grid drain

06400000

Base plate

14018001



The measurements shown are for reference only.

Products and specifications shown are subject to change without notice.

Specification sheet revised 12/2007

**hansgrohe**