

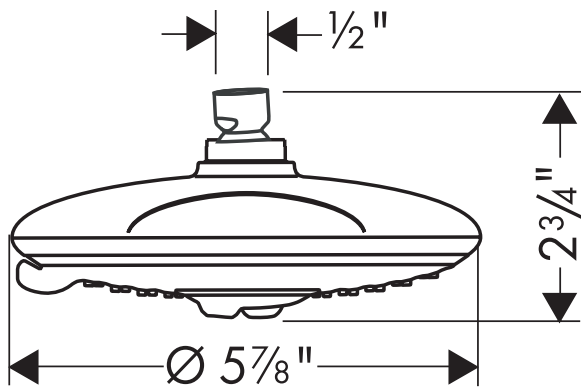
## Product Features

- Oversized spray face with Rubit™ cleaning system
- 80 no-clog spray channels
- 5 spray modes – soft "rain", whirl massage, and 3 combination sprays
- Includes decorative rubber boot
- 2.5 gpm

## Code Compliance

This unit meets or exceeds the following:

- ASME A112.18.1
- CSA B125.1
- Listed by IAPMO
- Approved for use in Massachusetts



## Available Finishes

Chrome	27483001
Brushed Nickel	27483821
Polished Nickel	27483831
Polished Brass	27483931

The measurements shown are for reference only.

Products and specifications shown are subject to change without notice.

Specification sheet revised 1/2008