

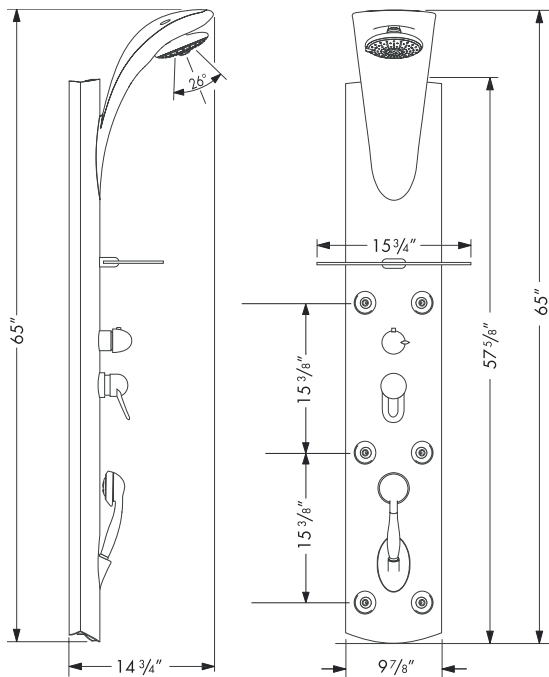
Product Features

- Can be installed on flat wall or in 90° corner
- Anodized aluminum panel pre-plumbed with thermostatic mixing valve
- 100° safety stop
- High temperature limit stop can be reset to comply with local plumbing codes
- Diverter with high temperature limit stop
- Includes 2-spray handshower with 55" handshower hose
- Protection against backflow provided by check valve
- Raindance E 150 showerhead
- 6 bodysprays
- Accessory shelf

Code Compliance

This unit meets or exceeds the following:

- ASME A112.18.1
- CSA B125.1
- Listed by IAPMO
- Approved for use in Massachusetts



The measurements shown are for reference only.

Products and specifications shown are subject to change without notice.

Specification sheet revised 1/2008

Available Finishes

Satin chrome panel with chrome trim

26101001

Satin chrome panel with satin chrome trim

26101881

Installation Notes

- Requires 1/2" NPT male nipples, extending 5/8" outside the surface of the finished wall, for the hot and cold water supplies