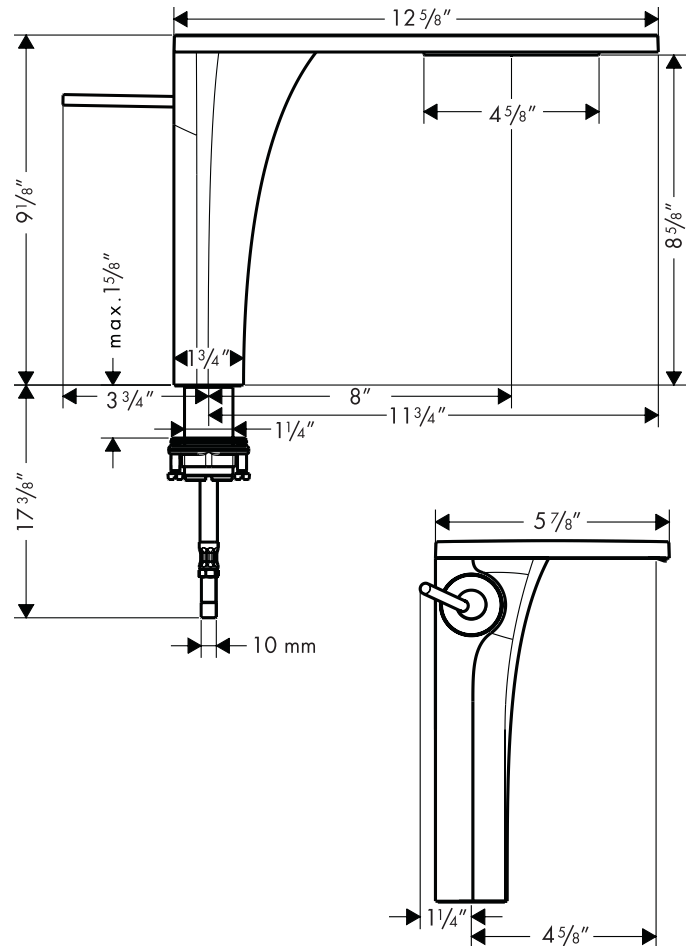
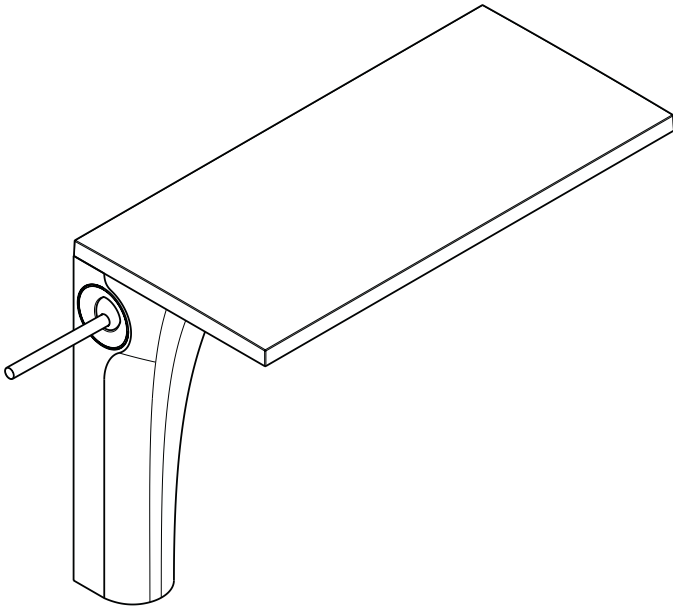


Axor Massaud Highriser Lavatory Faucet

18020001

Available in Chrome



Product Specification

Distinctive design

Single hole installation

Single control

Flow rate 2.2 gpm

Hole size in mounting surface $1 \frac{3}{8}''$

Max. mounting surface thickness $1 \frac{5}{8}''$

10 mm supply hoses

10 mm - $\frac{3}{8}''$ adapters included

Drain not included