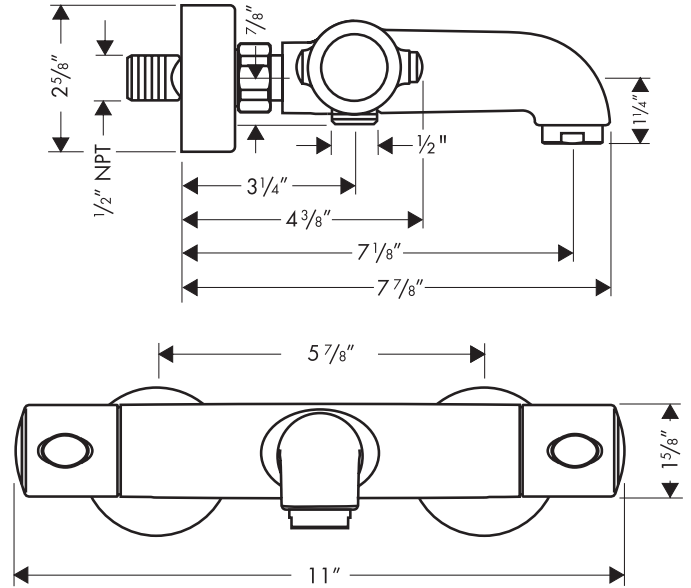
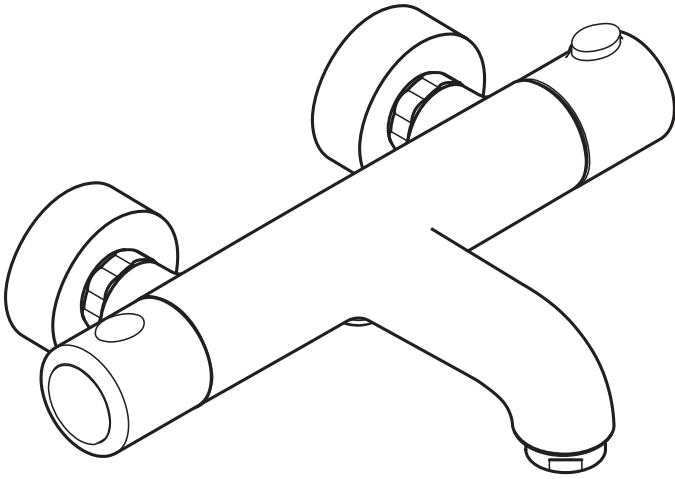


Ecostat 1001 SL Exposed Thermostatic Tub Filler

13241XX1

Available in Chrome (00), Brushed Nickel (82)



Product Specification

Thermostatic mixing valve

Volume control / diverter

Connection for handshower hose on bottom (handshower not included)

1/2" NPT male inlets - requires 1/2" female fittings, recessed 3/16" behind surface of finished wall

Operating pressure: max. 145 psi

Recommended operating pressure: 14.5 - 72 psi

Hot water temperature: 120° F - 140° F*

Rate of flow at 45 psi 5.3 gpm

Protection against back siphonage provided by check valves in the hot and cold inlets.

The high temperature limit stop may be reset to comply with local plumbing codes.

*Please know and follow all applicable local plumbing codes when setting the temperature on the water heater.

hansgrohe