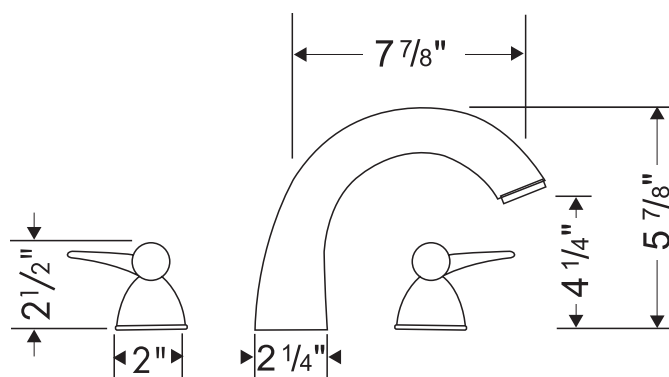
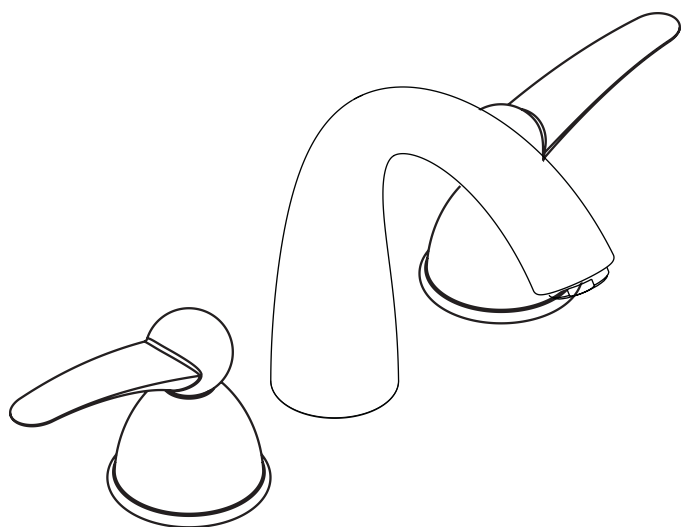


# Trim, Metro™ 3-Hole Tub Filler 06651XX0

Available in Chrome (00), Brushed Nickel (82)



## Product Specification

Solid brass  
ADA compliant  
Requires rough 06607000 (not included)

**hansgrohe**