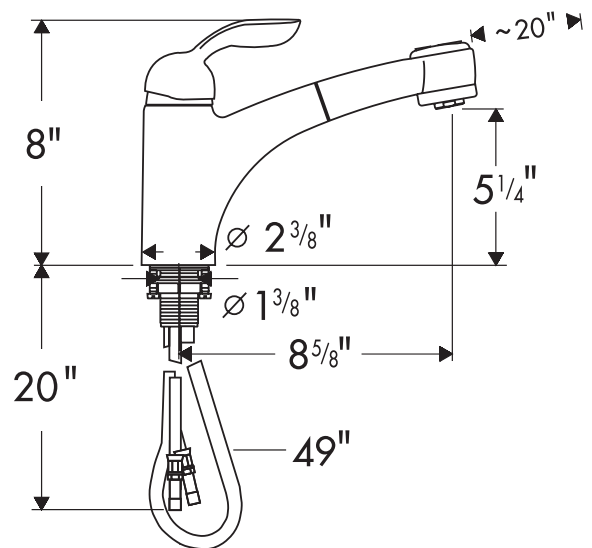


Solaris Single Hole Kitchen Faucet with Base Plate 06649XX0 without Base Plate 06544XX0

Available in Chrome (00) and Steel Optik (86)



Product Specification

Solid brass body
Pull-out handspray
Full spray and needle spray
M2 ceramic disk cartridge
Spout arm swivels 150°
ADA compliant

Hole size in mounting surface
Maximum mounting surface depth
Flow rate
Recommended incoming water pressure
Recommended incoming hot water temp.
3/8" supply hoses - requires 3/8" compression fittings (not included)

Complies with:

- UL Listed
- ASME A112.18.1
- CSA B125
- NSF 61

1 1/2" - 1 5/8"
2 1/4"
2.2 gpm
22 - 72 psi
120°F - 140°F*
3/8" supply hoses - requires 3/8" compression fittings (not included)

*Some governing bodies require that the water heater be set to 120°F or less. Please know and follow all applicable local codes when setting the temperature on the water heater.