

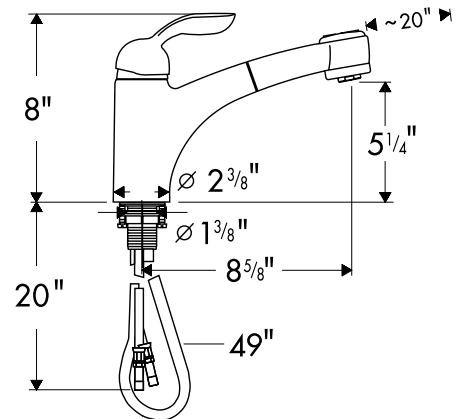
# Solaris Single Hole Kitchen Faucet

06544000

# Solaris Single Hole Kitchen Faucet with Baseplate

06649000

Available in Chrome



## Product Specifications

Solid brass body

Pull out handspray

2 spray modes - full and needle spray

ADA compliant

Hole size in mounting surface

Minimum 1-1/2"

Maximum 1-5/8"

Maximum mounting surface depth

2-1/4"

Flow rate

2.2 GPM

Maximum incoming water pressure

145 PSI

Recommended incoming water pressure

22 - 72.5 PSI

Recommended incoming hot water temp

120° - 140° F\*

M3 cartridge with high temperature limit stop

Includes 10 mm x 1/2" MIP check valve / adapters

\*Some governing bodies require that the water heater be set to 120°F or less. Please know and follow all applicable local codes when setting the temperature on the water heater.