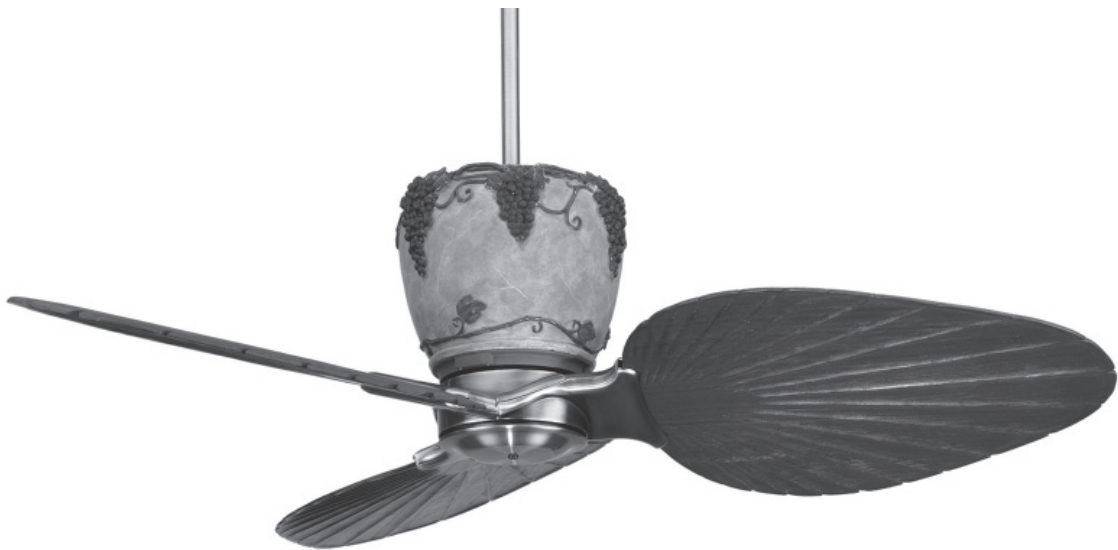


# **The Treventi<sup>®</sup>**

## **Ceiling Fan**



**Standard & Damp Location Models\***

Average Weight 30-35 lbs. (depending on Housing, Blades & Accessory choices)

**Model No. FP2500\*\***

**OWNER'S MANUAL**  
**READ AND SAVE THESE INSTRUCTIONS**



*\*Damp Location Model; Top of fan is marked, "Suitable For Use In Damp Locations"*

# Important Safety Instructions

**WARNING: To avoid fire, shock and serious personal injury, follow these instructions.**

1. Read your owner's manual and safety information before installing your new fan. Review the accompanying assembly diagrams.
2. Before servicing or cleaning unit, switch power off at service panel and lock service panel disconnecting means to prevent power from being switched on accidentally. When the service disconnecting means cannot be locked, securely fasten a warning device, such as a tag, to the service panel.
3. Be careful of the fan and blades when cleaning, painting, or working near the fan. Always turn off the power to the ceiling fan before servicing.
4. Do not insert anything into the fan blades while the fan is operating.
5. Do not operate reversing switch until fan blades have come to a complete stop.

## Additional Safety Instructions

1. To avoid possible shock, be sure electricity is turned off at the fuse box before wiring, and do not operate fan without blades.
2. All wiring and installation procedures must satisfy National Electrical Codes (ANSI/ NFPA 70-1999). Use the National Electrical Code if Local Codes do not exist. The ceiling fan must be grounded as a precaution against possible electrical shock. Electrical installation should be made or approved by a licensed electrician.
3. The fan base must be securely mounted and capable of reliably supporting at least 100 lbs. (fan and accessories not to exceed 35 lbs. or 16 kgs.). Outlet boxes are not acceptable for fan support. See page 5 of owner's manual for support requirements. Consult a qualified electrician if in doubt.
4. **CAUTION:** To reduce the risk of personal injury, mount the fan base to a ceiling joist or structural member using the hardware provided with your fan.

**WARNING:** Support Directly from Building Structure.

5. The fan must be mounted with the fan blades at least 7 feet from the floor to prevent accidental contact with the fan blades.

6. Follow the recommended instructions for the proper method of wiring your ceiling fan. If you do not have adequate electrical knowledge or experience, have your fan installed by licensed electrician.

7. Suitable for use with solid-state speed controls.

**WARNING:** To reduce the risk of fire or electric shock, this fan should only be used with Fan Speed Control Part No. UC7051R, manufactured by Rhine Electronic Co., Ltd.

**WARNING:** TO REDUCE THE RISK OF SHOCK, THIS FAN MUST BE INSTALLED WITH AN ISOLATING WALL CONTROL/SWITCH.

**WARNING:** This product is designed to use only those parts supplied with this product and/or accessories designated specifically for use with this product. Using parts and/or accessories not designated for use with this product could result in personal injury or property damage.\*

**WARNING:** To reduce the risk of personal injury, do not bend the blade bracket (flange or blade holder) when installing the brackets, balancing the blades, or cleaning the fan. Do not insert foreign objects in between rotating fan blades.

## LIMITED LIFETIME WARRANTY Extends to the original purchaser of a Fanimation Fan

1. LIMITED LIFETIME MOTOR WARRANTY - If any part of your fan motor fails, due to a defect in materials or workmanship during the lifetime of the original purchaser, Fanimation will provide the replacement part free of charge, when the defective fan is returned to our national service center. Proof of purchase is required. Customer shall be responsible for all costs incurred in the removal or reinstallation and shipping of the product for repairs or replacement.
2. ONE YEAR MOTOR LABOR WARRANTY - If your fan motor fails at any time within one year from the original purchase, due to defects in materials or workmanship, labor to repair the motor will be provided free of charge at our national service center. Purchaser will be responsible for labor charges after this one-year period. Customer shall be responsible for all costs incurred in the removal or reinstallation and shipping of the product for repairs or replacement.
3. If any other part of your fan fails at any time within one year after original purchase, due to a defect in materials or workmanship, we will repair, or replace, at our option, the defective part free of charge for parts and labor performed at our national service center.
4. Because of varying climate conditions, this warranty does not cover changes in the finish, including rusting, pitting, corroding, tarnishing, or peeling.
5. This warranty is void and does not apply to damage from improper installation, neglect, accident, misuse, exposure to extremes of heat or humidity, or as a result of any modification to the original product.
6. All costs of removal and reinstallation of the fan are the sole responsibility of the owner of the fan and not the store that sold the fan or Fanimation.
7. Fanimation reserves the right to modify or discontinue any product at any time and may substitute any part under this warranty.
8. Under no circumstances may a fan be returned without prior authorization from Fanimation. The receipt of purchase must accompany authorized returns and must be sent freight prepaid to Fanimation. The fan to be returned must be properly packed to avoid damage in transit; Fanimation will not be responsible for any damage resulting from improper packaging.
9. It is understood that any repair or replacement is the exclusive remedy available from Fanimation. There is no other expressed or implied warranty. Fanimation hereby disclaims any and all implied warranties, including, but not limited to those of merchantability and fitness for a particular purpose to the extent permitted by law. Some states do not allow limitations on implied warranties. Fanimation will not be liable for incidental, consequential, or special damages arising out of or in conjunction with product use or performance, except as may otherwise be accorded by law. This warranty gives you special legal rights and you may also have other rights that vary from state to state.
10. A certain amount of wobble is normal and should not be considered a problem or a defect.

\***DAMP LOCATION CEILING FAN:** If you have purchased a Damp Location Ceiling Fan, you may only use light kits marked suitable for use in damp locations.

## Table of Contents

Unpacking Instructions .....	3
Electrical and Structural Requirements .....	4
Wiring and Control Options .....	4
How to Install the Motor Housing .....	4
How to Assemble Your Ceiling Fan .....	5
How to Hang Your Ceiling Fan .....	7
How to Wire and Operate Your C22 Remote Control .....	8
How to Wire and Operate Your C23 Wall Control .....	9
Installing the Canopy Housing .....	10
How to Install the Blades .....	10
Mounting the Cover Switch Housing .....	11
Maintenance .....	11
Blade Cleaning .....	11
Parts List .....	12
Exploded-View Drawing .....	13
Trouble Shooting .....	14

# This Manual is Designed to Make it as Easy as Possible for You to Assemble, Install, Operate, and Maintain Your Ceiling Fan

## Tools Needed for Assembly

- One Phillips head screwdriver
- One wire stripper
- One stepladder
- Three wire connectors
- One 1/4" blade screwdriver (supplied)

### ▲ WARNING

Before assembling your ceiling fan, refer to section on proper method of wiring your fan (page 4). If you feel you do not have enough wiring knowledge or experience, have your fan installed by a licensed electrician.

## Materials

Wiring outlet box and box connectors must be of type required by local code. The minimum wire would be a 3-conductor (2-wire with ground) of the following size:

Installed Wire Length	Wire Size A.W.G.
Up to 50 ft.	14
50 - 100 ft.	12

**NOTE:** Place the parts from the loose parts bags in a small container to keep them from being lost. If any parts are missing, contact your local retailer.

**DAMP LOCATION CEILING FAN:** If you have purchased a Damp Location Ceiling Fan, you may only use light kits marked suitable for use in damp locations.

## Unpacking Instructions

For your convenience, check-off each step. As each step is completed, place a check mark. This will ensure that all steps have been completed and will be helpful in finding your place should you be interrupted.

### ▲ WARNING

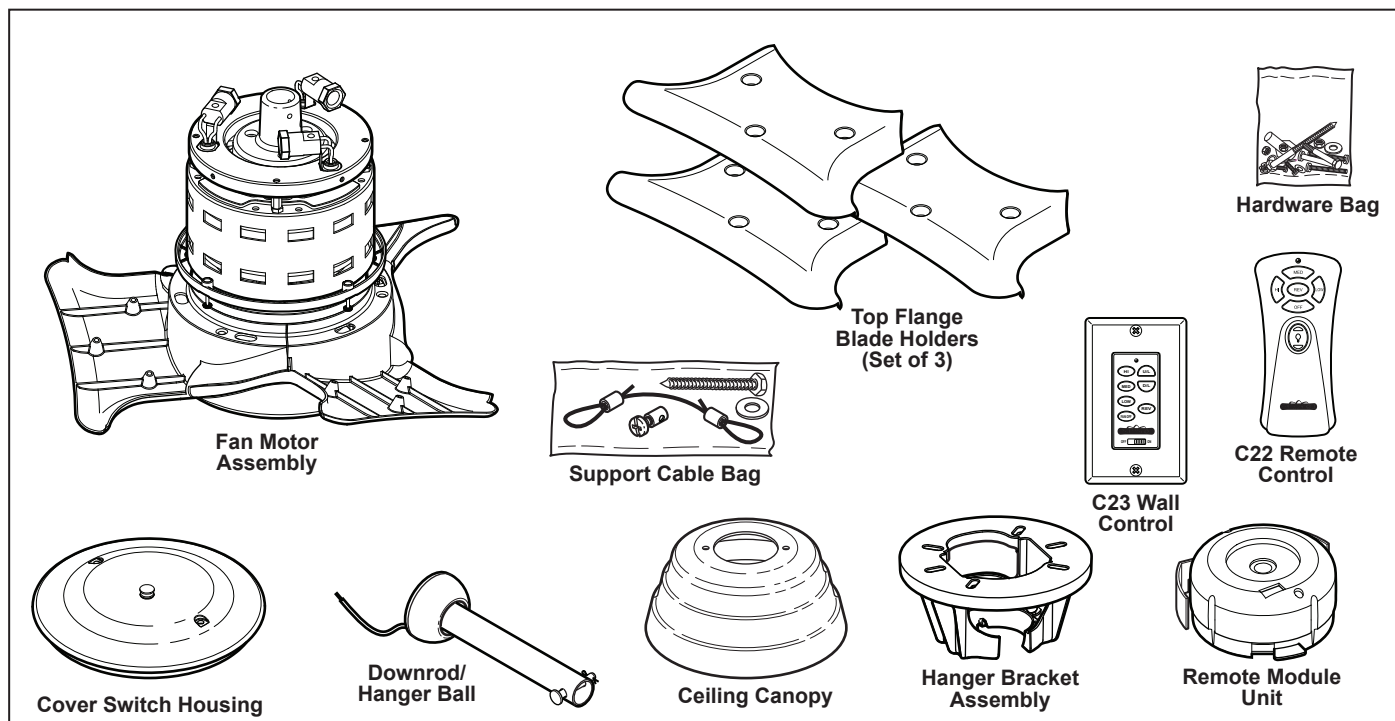
Do not install or use fan if any part is damaged or missing. This product is designed to use only those parts supplied with this product and/or any accessories designated specifically for use with this product by Fanimation. Substitution of parts or accessories not designated for use with this product by Fanimation could result in personal injury or property damage. Contact your retail store for missing or damaged parts.

1. Check to see that you have received the following parts:

**NOTE:** If you are uncertain of part description, refer to exploded view illustration. (Figure 18, page 13)

- Fan Motor assembly
- Cover Switch Housing with two screws
- Downrod/Hanger Ball assembly (DR6)

- 3 Top Blade Holder Flanges
- Ceiling Canopy & Hanger Bracket pack
- Hardware bag:
  - Two 5/32" threaded rods
  - Two 5/32" lockwashers
  - Two knurled knobs
  - Four wire connectors
  - Ten screws (for use with Top Flange Blade Holder)
  - Fanimation screwdriver
- Support Cable bag:
  - Ceiling Support Cable
  - Cable Clamp
  - 3/8" x 2" Lag Bolt
  - 3/8" Flat Washer
- C22 Hand-held Remote Control
- C23 Wall Control
- Remote Module Unit



## Electrical and Structural Requirements

Your new ceiling fan will require a grounded electrical supply line of 120 volts AC, 60 Hz, 15 amp circuit. The outlet box must be securely anchored and capable of withstanding a load of at least 50 lbs. **Figure 1** depicts different structural configurations that may be used for mounting the outlet box.

### ▲ WARNING

To reduce the risk of fire, electrical shock, or personal injury, mount fan to outlet box marked acceptable for fan support, and use screws supplied with outlet box. Most outlet boxes commonly used for support of light fixtures are not acceptable for fan support and may need to be replaced. Consult a qualified electrician if in doubt.

If your fan is to replace an existing light fixture, turn electricity off at the main fuse box at this time and remove the existing light fixture.

### ▲ WARNING

Turning off wall switch is not sufficient. To avoid possible electrical shock, be sure electricity is turned off at the main fuse box before wiring. All wiring must be in accordance with National and Local codes and the ceiling fan must be properly grounded as a precaution against possible electrical shock.

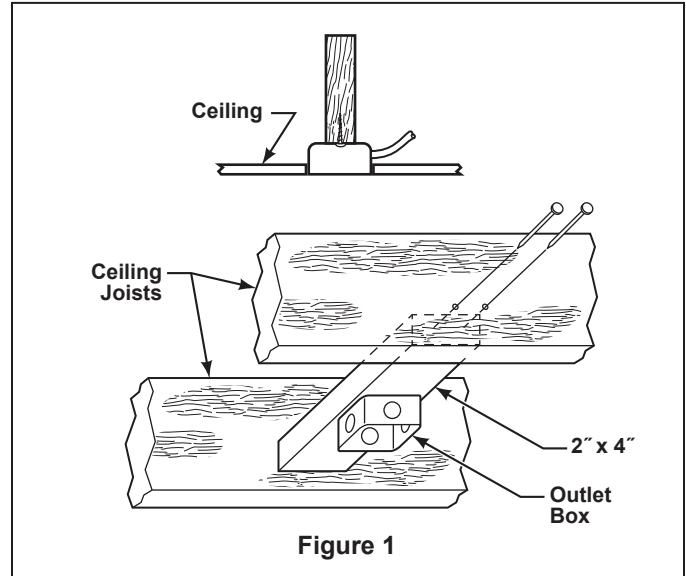


Figure 1

### ▲ WARNING

To avoid fire or shock, follow all wiring instructions carefully. Any electrical work not described in these instructions should be done or approved by a licensed electrician.

## Wiring and Control Options

Please choose one of the following options and proceed to the page as indicated.

1. Fan & Light, 3-speed, reversable remote control (C22), see page 8.

2. Fan & Light, 3-speed, reversable wall-mounted control (C23), see page 9.

**NOTE:** If you are using a Fanimation Light Fixture with your fan, see Ceiling Fan Light Kit Installation Instructions (packed with light kit) for wiring.

## How to Assemble Your Motor Housing

### INSTALLATION NOTE

*Amalfi® Housing is shown throughout this manual as an example. Proper care must be exercised when installing the Woven Wicker, Bamboo, and Ceramic (pottery) Housings.*

1. Invert Housing, shown in Figure 2.
2. Align Captive Screws (located in Motor Adapter) with the Housing screw adapters. (Figure 2)

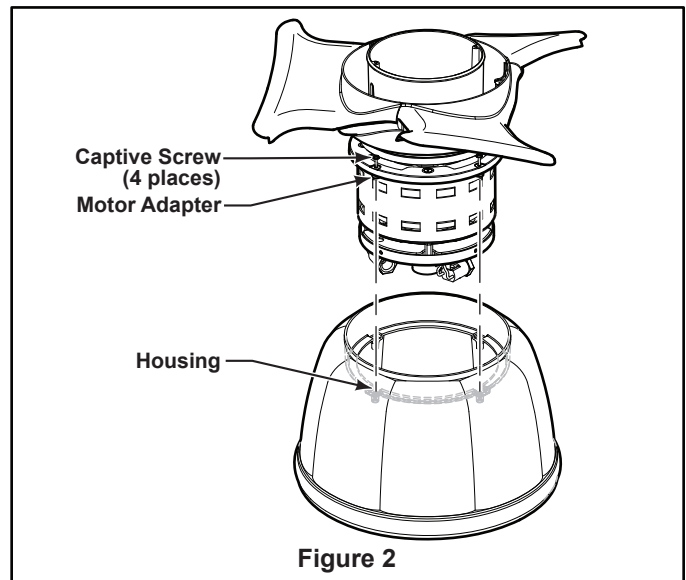
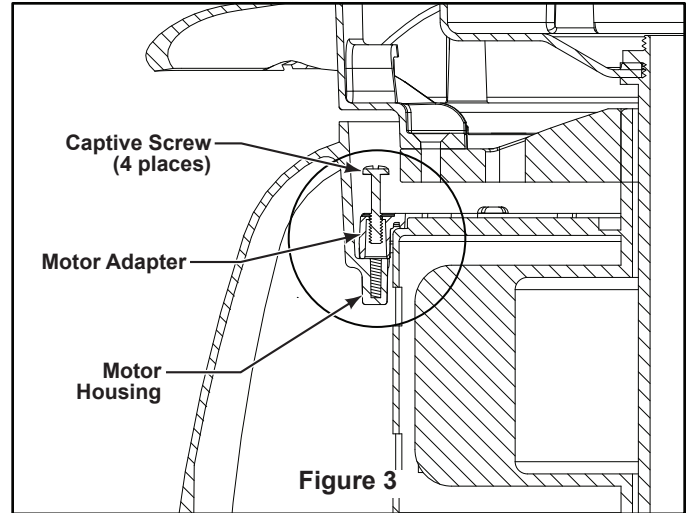


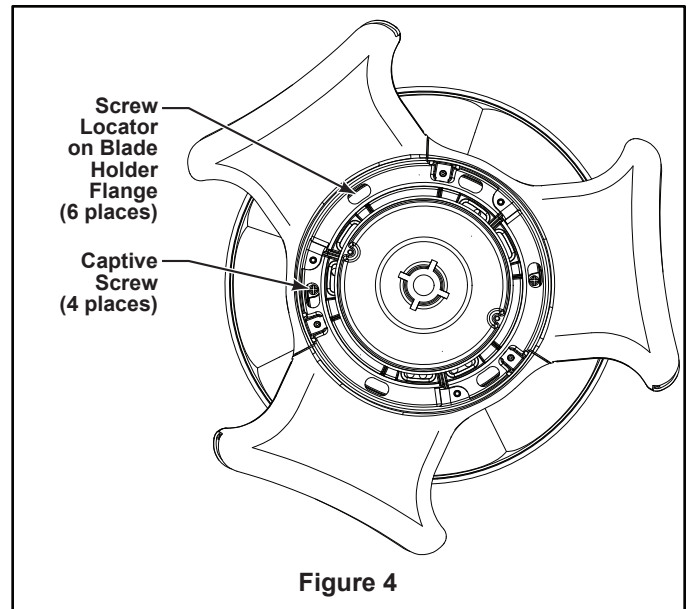
Figure 2

## How to Assemble Your Motor Housing (cont'd)

3. Be sure the threaded holes in both the Motor Adapter and the Housing are aligned before screwing the Captive Screws. (Figure 3)



4. Align the Screw Locator Holes (on Blade Holder Flange) over the Captive Screw Head, tighten and secure the Housing onto the Motor Adapter. (Figure 4)



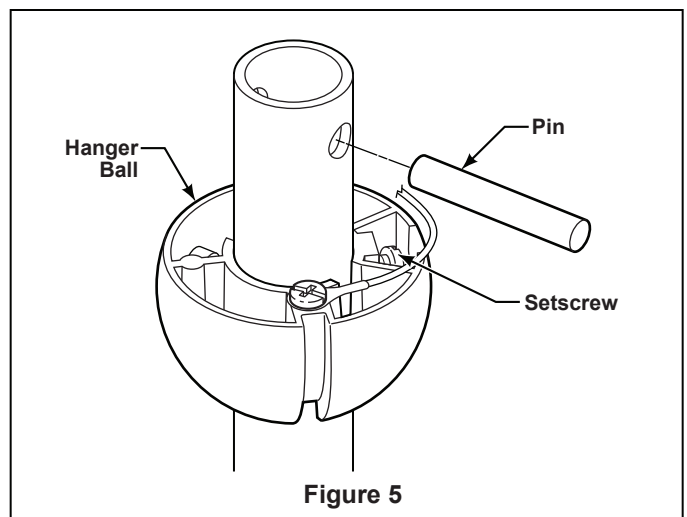
## How to Assemble Your Ceiling Fan

1. Prior to assembly, set aside and save the hardware bag(s) packed in the packing.

2. Remove the Hanger Ball by loosening the setscrew in the Hanger Ball until the ball falls freely down the Downrod. (Figure 5) Remove the Pin from the Downrod, then remove the Hanger Ball. Retain the Pin and Hanger Ball for reinstallation in Step 5.

3. Separate and untwist the two wires and the safety cable. Route the leads through the Downrod.

4. Loosen the two setscrews in the Downrod Support. Align the Clevis Pin holes in the Downrod with the holes in the Downrod Support. Install the Clevis Pin and secure with the Hairpin Clip. (Figure 6)



## How to Assemble Your Ceiling Fan (cont'd)

The Clevis Pin must go through the holes in the Downrod Support and the holes in the Downrod. Be sure to push the straight leg of the Hairpin Clip through the hole near the end of the Clevis Pin until the curved portion of the Hairpin Clip snaps around the Clevis pin. The Hairpin Clip must be properly installed to prevent the Clevis Pin from working loose. Pull on the Hanger Ball to make sure the Clevis Pin is properly installed.

5. Route wires and safety cable through opening in Canopy. Position Canopy on fan shown with open side facing up. (Figure 6)

6. Reinstall the Hanger Ball (Figure 7) on the Downrod as follows. Route the two 80" wires and the safety cable through the Hanger Ball. Position the Pin through the two holes in the Downrod and align the Hanger Ball so the Pin is captured in the groove in the top of the Hanger Ball. Pull the Hanger Ball up tight against the pin. **Securely tighten the setscrew in the Hanger Ball. A loose setscrew could create fan wobble.**

### **▲ WARNING**

It is critical that the clevis pin in the downrod support is properly installed and the setscrews are securely tightened. Failure to verify that the pin and setscrews are properly installed could result in the fan falling.

7. While pulling up on the hanger ball, securely tighten the two 3/16-24 x 3/8" setscrews in the downrod support (Figure 6).

**NOTE:** The setscrews must be properly installed as described above, or fan-wobble could result.

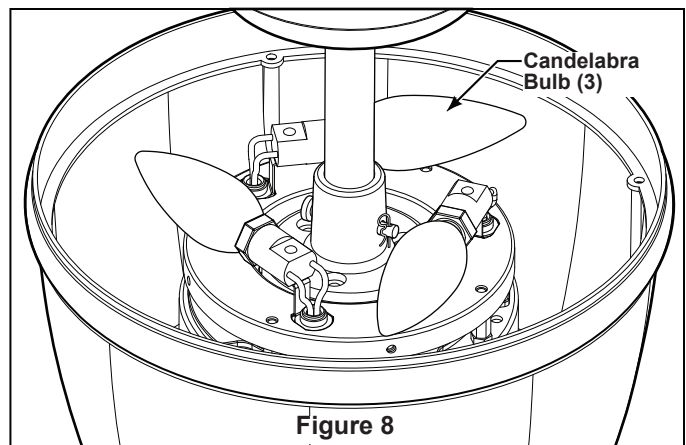
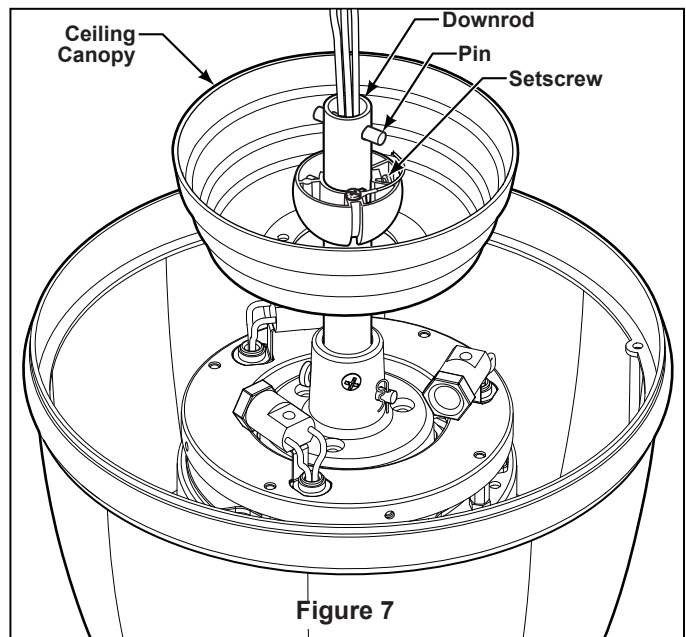
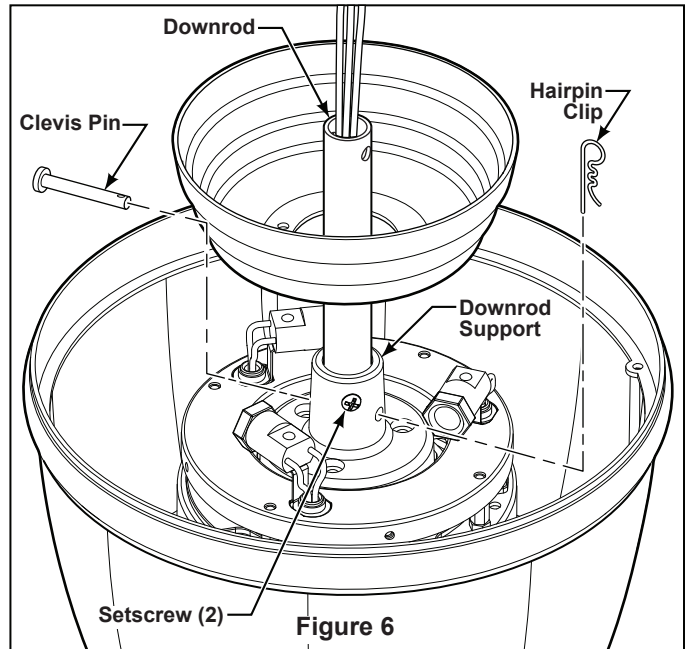
8. The fan comes with black, and white leads. Before installing fan, measure up approximately 6 to 9 inches above top of Downrod/Hanger Ball Assembly. Cut off excess wire and strip back insulation 1/2" from end of wire.

9. Install three Candelabra Bulbs (not included - 40 watts max) in each of the sockets on the Uplight Assembly (Figure 8).

10. You have now completed the assembly of your new ceiling fan. You can now proceed with the hanging and the electrical wiring of your fan.

### **CAUTION**

Do not connect fan blades until the fan is completely installed. Hanging fan with blades connected may result in damage to the fan blades.



# How to Hang Your Ceiling Fan

## ⚠ WARNING

To avoid possible electrical shock, be sure electricity is turned off at the main fuse box before hanging.  
**NOTE:** If you are not sure if the outlet box is grounded, contact a licensed electrician for advice, as it must be grounded for safe operation.

## ⚠ WARNING

The fan must be hung with at least 7' of clearance from floor to blades. (Figure 8a)

## ⚠ WARNING

The hanger bracket must be directly anchored to building structural member and be capable of withstanding a load of at least 100 lbs.

1. Using the  $\frac{3}{8}$ " x 2" lag bolt and flat washer, attach safety cable to ceiling joist or wood structural member. The lag bolt will pass through the flat washer, safety cable loop, the junction box and into the building structure (Figure 9). You will first drill a  $\frac{1}{4}$ " pilot hole into the building structure to prevent splitting or cracking.

2. Securely attach the hanger bracket to ceiling junction box **acceptable for ceiling support**.

**NOTE:** Ceiling support cable must be fastened between flat washer and ceiling junction box (Figure 9).

## INSTALLATION NOTE

If you are installing your ceiling fan on a sloped ceiling, the hanger bracket must be mounted with the opening parallel to the slope.

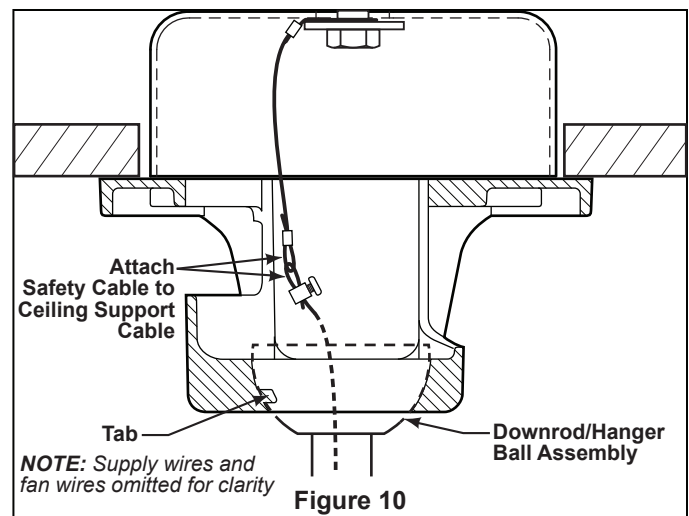
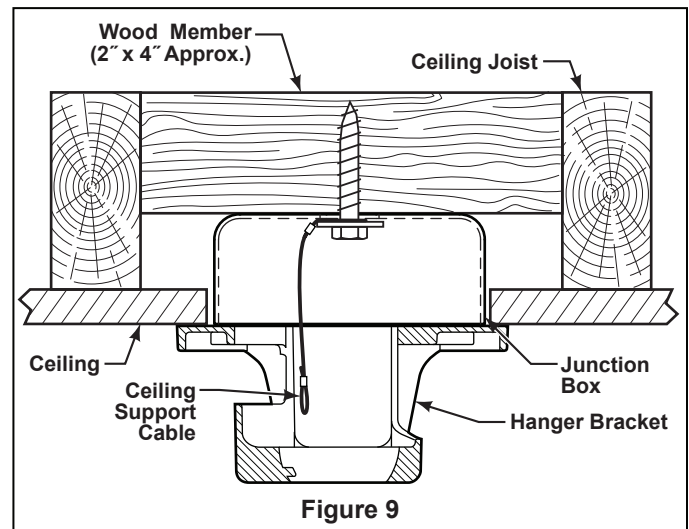
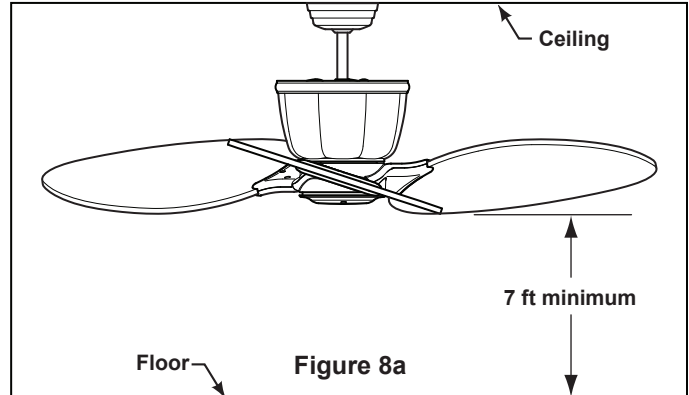
## INSTALLATION NOTE

Be sure that the safety cable (along with the electrical supply wires) is pulled through the downrod when installing the downrod.

2. Make sure the electrical supply wires, including the hanger bracket grounding wire and safety cable are pulled through the downrod, between the hanger bracket and the junction box so that electrical connections can be made later.

3. Carefully lift the fan and seat the downrod/hanger ball assembly on the hanger bracket that was just attached to the ceiling joist. Be sure the groove in the ball is lined up with tab on the hanger bracket. (Figure 10)

4. Attach the safety cable to ceiling support cable. Slide cable clamp onto safety cable (from fan). Place the end of cable through the loop of ceiling support cable. Pull as much cable through loop as possible. Feed end of cable into clamp hole and firmly tighten screw (Figure 10). Cut off excess safety cable.



## ⚠ WARNING

Failure to seat tab in groove could cause damage to electrical wires and possible shock or fire hazard.

## ⚠ WARNING

To avoid possible shock, do not pinch wires between the downrod/hanger ball assembly and the hanger bracket.

# How to Wire and Operate Your C22 Remote Control

If you feel that you do not have enough electrical wiring knowledge or experience, have your fan installed by a licensed electrician.

**NOTE:** If fan or supply wires are different colors than indicated, have this unit installed by a qualified electrician.

## ⚠ WARNING

To avoid possible electrical shock, be sure electricity is turned off at the main fuse box before wiring.

**NOTE:** If you are not sure if the outlet box is grounded, contact a licensed electrician for advice, as it must be grounded for safe operation.

**1. Setting the Code:** The remote unit has 16 different code combinations. It may be necessary to test a couple frequency code settings to improve signal reception and/or eliminate interference from other remote control household items. Multiple fans should have different code settings to allow independent fan control. To set the code, perform these steps.

- **Transmitter:** remove battery cover. Press firmly below arrow and slide battery cover off. Slide code switches to your choice of up or down position. Factory setting is all up. Do not use this position. With a small screwdriver or ball point pen slide firmly up or down (Figure 11a). Replace battery cover on the transmitter.

- **Receiver:** Slide code switches to the same positions as set on your transmitter (Figure 11b).

## 2. Installing Receiver in Switch Cup:

- Slide remote Receiver into the Switch Cup, connect the plug from the fan motor assembly into the socket located in the receiver unit.

## 3. Wiring & Connecting Your Ceiling Fan: (Figure 12)

- Green Hanger Bracket and Hanger Ball wires to BARE (ground) wire.

- Yellow wire for Optional LK25 Side Light Kit. See LK25 Instructions for details.

- BLACK Fan Motor wire to BLACK supply wire.

- WHITE Fan Motor wire to WHITE supply wire.

- Position all connected wires to allow installation of ceiling canopy.

- Install canopy using threaded rods, lockwashers, and knurled knobs. (Figures 15a & 15b)

- Restore electrical power.

## ⚠ WARNING

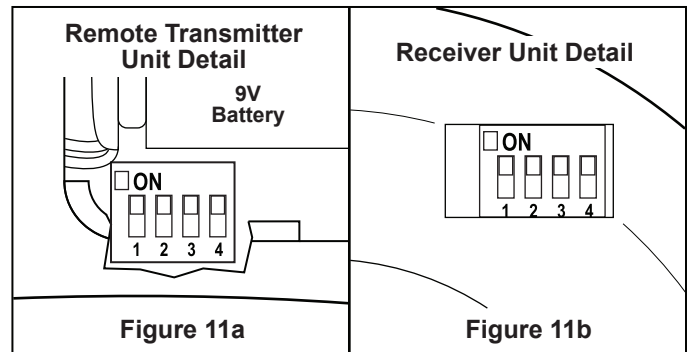
Check to see that all connections are tight, including ground, and that no bare wire is visible at the wire connectors, except for the ground wire. Do not operate fan until the blades is in place. Noise and fan damage could result.

## 4. Operating & Using Remote Transmitter:

Install 9 volt battery (If not using for long periods of time, remove battery to prevent damage to transmitter). Store the transmitter away from excess heat or humidity.

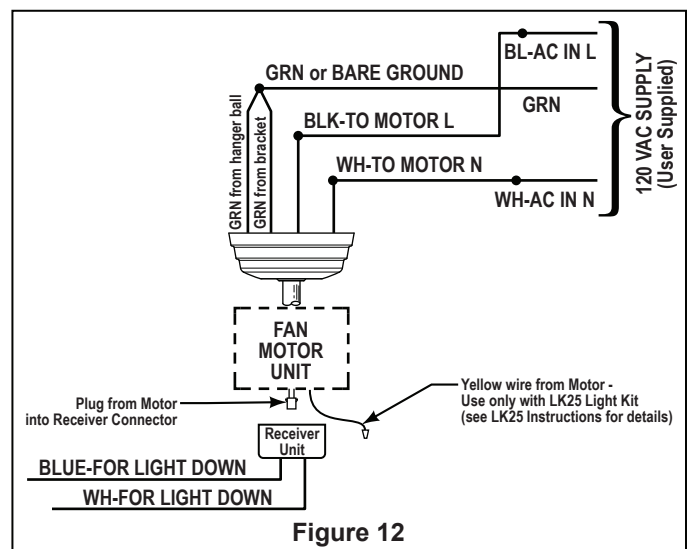
- HI Push Button – high fan speed
- MED Push Button – medium fan speed
- LOW Push Button – low fan speed
- REV Push Button – toggles between air upflow and air downflow
- OFF Push Button – fan off
- U/L Push Button – use top portion of light button to operate up light
- D/L Push Button – use bottom portion of light button to operate optional down light

**NOTE:** To control either light hold down key to increase or decrease brightness. Tap key quickly to turn light on or off. The light keys have auto resume and will stay at the same brightness as the last time it was turned off.



## ⚠ WARNING

Total wattage NOT to exceed 300 watts.



# How to Wire and Operate Your C23 Wall Control

If you feel that you do not have enough electrical wiring knowledge or experience, have your fan installed by a licensed electrician.

**NOTE:** If fan or supply wires are different colors than indicated, have this unit installed by a qualified electrician.

## ⚠ WARNING

To avoid possible electrical shock, be sure electricity is turned off at the main fuse box before wiring.

**NOTE:** If you are not sure if the outlet box is grounded, contact a licensed electrician for advice, as it must be grounded for safe operation.

**1. Setting the Code:** The remote unit has 16 different code combinations. It may be necessary to test a couple frequency code settings to improve signal reception and/or eliminate interference from other remote control household items. Multiple fans should have different code settings to allow independent fan control. To set the code, perform these steps.

- **Transmitter:** located on back side of unit. Slide code switches to your choice of up or down position. Factory setting is all up. Do not use this position. With a small screwdriver or ball point pen slide firmly up or down (Figure 14a).

- **Receiver:** Slide code switches to the same positions as set on your transmitter (Figure 14b).

## 2. Installing Receiver in Switch Cup:

- Slide remote Receiver into the Switch Cup, connect the plug from the fan motor assembly into the socket located in the receiver unit.

## 3. Wiring & Connecting Your Ceiling Fan:

- Green Hanger Bracket and Hanger Ball wires to BARE (ground) wire.
- Yellow wire for Optional LK25 Side Light Kit. See LK25 Instructions for details.
- BLACK Fan Motor wire to BLACK supply wire.
- WHITE Fan Motor wire to WHITE supply wire.
- Position all connected wires to allow installation of ceiling canopy.
- Install canopy using threaded rods, lockwashers, and knurled knobs.(Figures 15a & 15b)
- Restore electrical power.

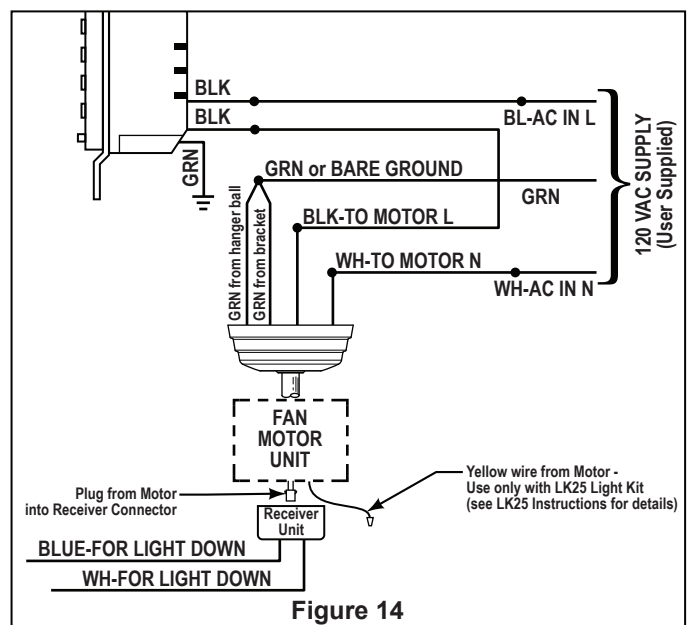
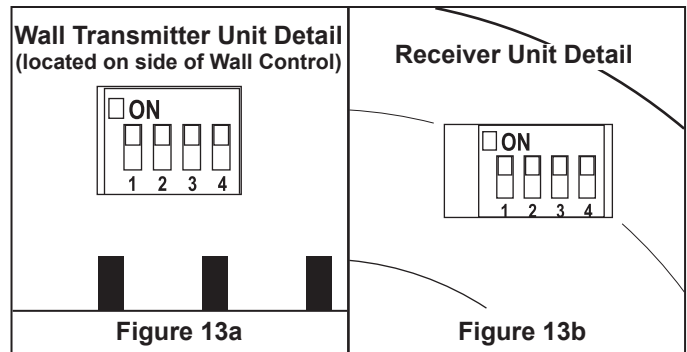
## ⚠ WARNING

Check to see that all connections are tight, including ground, and that no bare wire is visible at the wire connectors, except for the ground wire. Do not operate fan until the blades is in place. Noise and fan damage could result.

## 4. Operating & Using Wall Control Transmitter:

- HI Push Button – high fan speed
- MED Push Button – medium fan speed
- LOW Push Button – low fan speed
- REV Push Button – toggles between air upflow and air downflow
- OFF Push Button – fan off
- U/L Push Button – use top portion of light button to operate up light
- D/L Push Button – use bottom portion of light button to operate optional down light

**NOTE:** To control either light hold down key to increase or decrease brightness. Tap key quickly to turn light on or off. The light keys have auto resume and will stay at the same brightness as the last time it was turned off.



## Installing the Canopy Housing

**NOTE:** This step is applicable *after* the necessary wiring is completed. (see page 8 or 9)

### **⚠ WARNING**

To avoid possible fire or shock, make sure that the electrical wires are completely inside the canopy housing and not pinched between the housing and the ceiling.

1. Screw in two threaded rods into the Hanger Bracket (Figure 15a).

**NOTE:** The threaded rods in the hanger bracket serves as guides for easier installation.

2. Securely attach the Canopy Housing to the Hanger Bracket using the external lockwashers and knurled knobs supplied with your fan (Figure 15b).

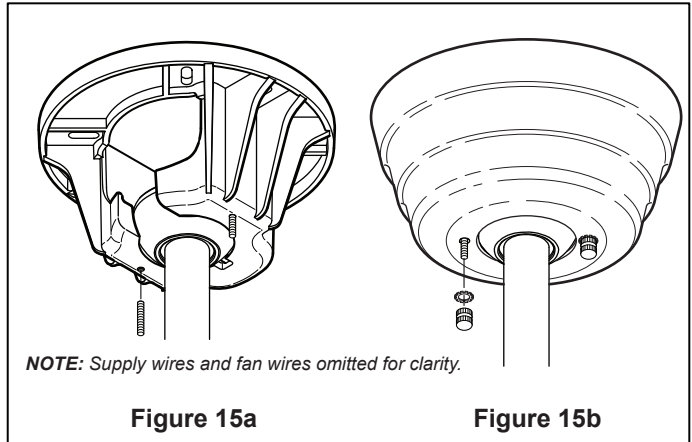


Figure 15a

Figure 15b

## How to Install the Blades

### **INSTALLATION NOTE**

**Do not connect fan blades until the fan is completely installed. Installing the fan with blades assembled may result in damage to the fan blades.**

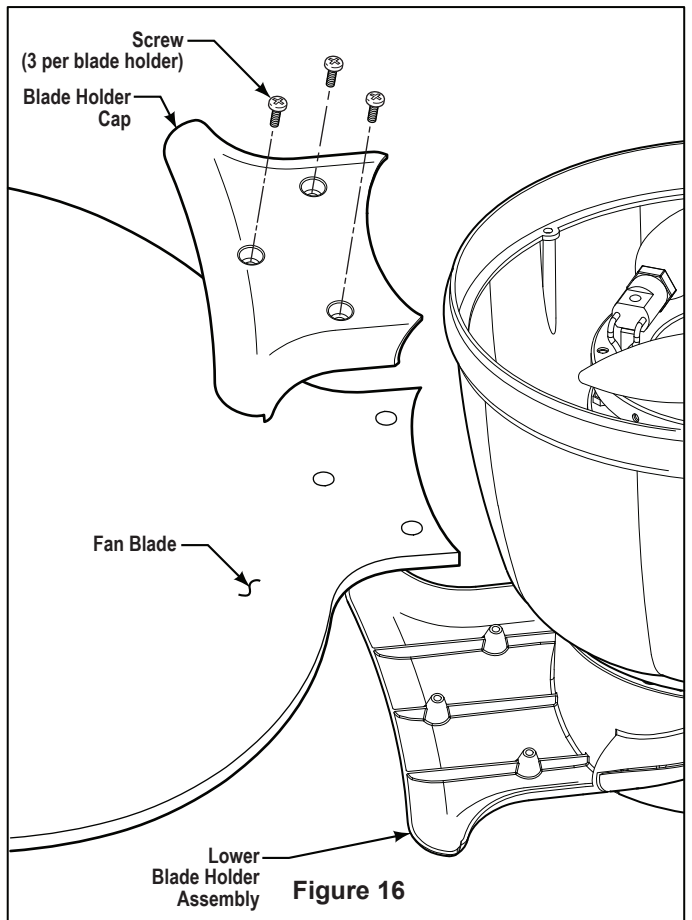
1. Position the palm leaf, or the wicker, or the woven bamboo, or the wooden blade over the blade holder flange with the threaded posts showing. Make sure the bottom edge of the blade is fully seated against the blade holder flange. (Figure 16)

2. Place the Blade Holder Cap on top of the blade, positioning the holes over the threaded posts.

3. With a Philips screwdriver, thread three screws into the posts.

4. Tighten screws to secure the blade.

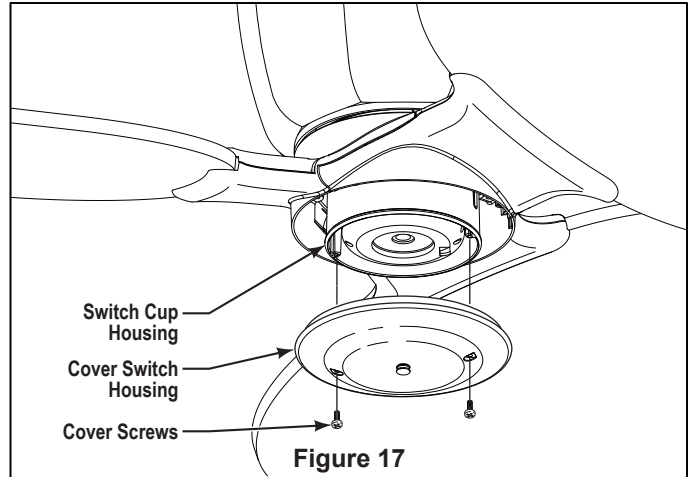
5. Repeat above steps for other two blades



---

## Mounting the Cover Switch Housing

1. Position the Cover Switch Housing over the Switch Cup Housing.
2. Thread the two Cover Screws into the threaded posts located in the Switch Cup Housing.
3. With a Philips screwdriver, tighten screws to secure the Cover Switch Housing. (Figure 17)



---

## Maintenance

Periodic cleaning of your new ceiling fan is the only maintenance that is needed. When cleaning, use only a soft brush or lint free cloth to avoid scratching the finish. Abrasive cleaning agents are not required and should be avoided to prevent damage to finish.

### CAUTION

Do not use water when cleaning your ceiling fan. It could damage the motor or the blades and create the possibility of electrical shock.

---

## Blade Cleaning

Periodic light dusting of the Palm Leaf, Woven Bamboo, Wicker, and Wooden blades is recommended. A feather duster will work best.

Avoid using water, cleansers, or harsh rags, which can warp and ruin the blades.

# Parts List

Model #FP2500\*\*

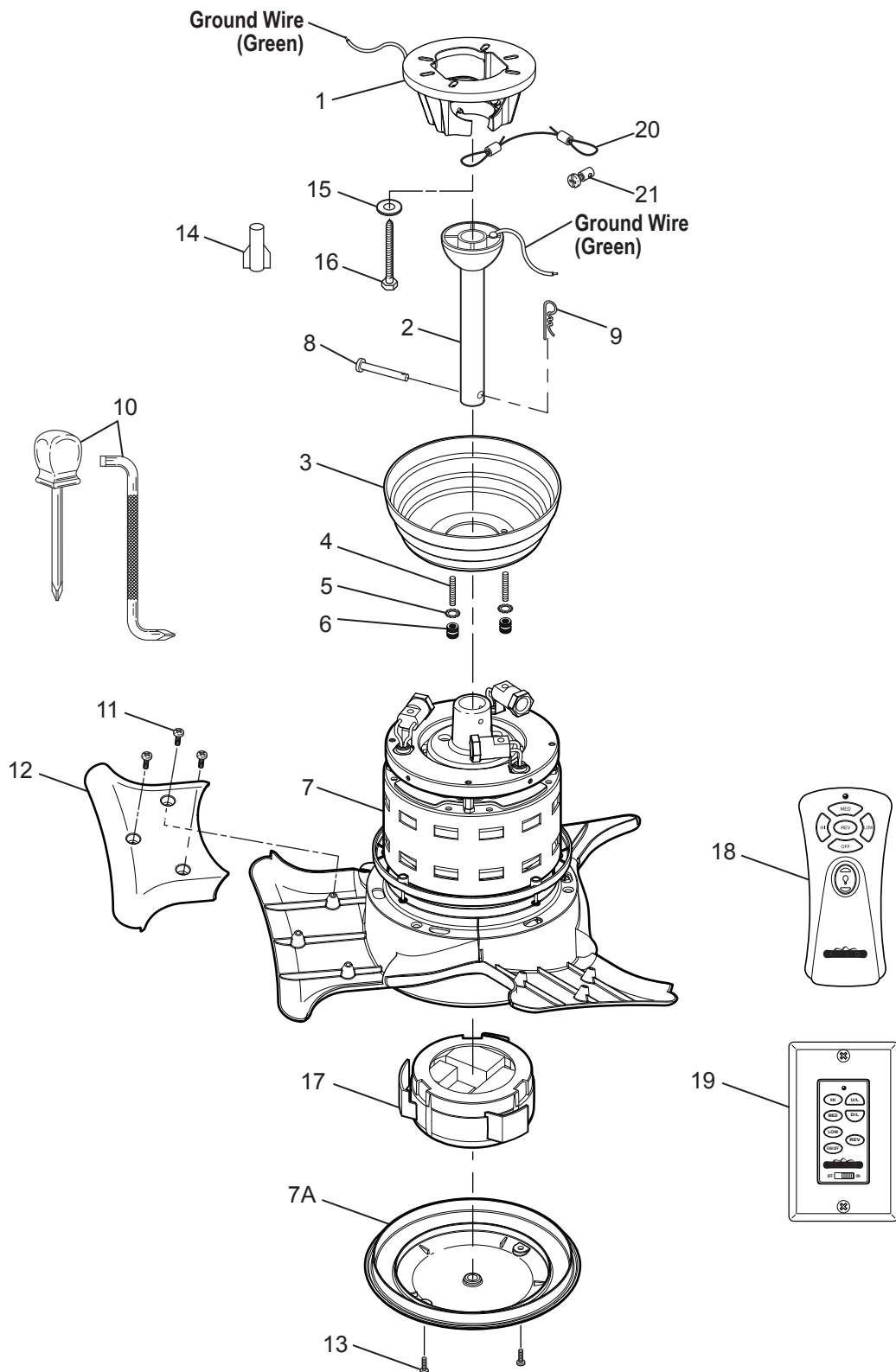
Ref. No.	Description	Part #
1	Hanger Bracket Assembly	APG510BL
3	Ceiling Canopy	PG160**
	<i>Hardware Bag Containing:</i>	
4	5/32" Threaded Rods (2)	HDWMA25**
5	5/32" External Lockwashers (2)	
6	Knurled Knobs (2)	
10	Phillips Screwdriver & Angled Screwdriver	
11	Blade Holder Screws (10)	
13	Switch Cover Housing Screws (2)	
14	Wire Connectors (4)	
12	Blade Holder Cap (Set of 3)	
2	<i>Downrod/Hanger Ball Assembly Containing:</i>	ADR7**
8	Clevis Pin	
9	Bridge Pin	
7	<i>Fan Motor Assembly Consisting of:</i>	AMA25** Fan Body
	Uplight Assembly	
	Flywheel	
	Switch Cup Housing	
7A	Cover Switch Housing Assembly	AP2540**
17	Remote (Receiver) Module	P2550
18	Remote Control	C22
19	Wall Control	C23
	<i>Support Cable Bag Containing:</i>	HWBSCABLE
15	Flat Washer	
16	3/8" x 2" Lag Bolt	
20	Ceiling Support Cable	
21	Cable Clamp	

\*\*Insert FINISH CODES (Refer to fan model number located on downrod support)

**Before discarding packaging materials, be certain all parts have been removed**

<b>How To Order Parts</b>
<p>When ordering repair parts, always give the following information:</p> <ul style="list-style-type: none"> <li>• Part Number</li> <li>• Part Description</li> <li>• Fan Model Number</li> </ul> <p>Contact your retail store for repair parts.</p>

# The Treventi® FP2500\*\* Exploded-View



**NOTE:** The illustration shown is not to scale or its actual configuration may vary. Wires partially removed for clarity.

**Figure 18**

# Trouble Shooting

## ⚠ WARNING

For your own safety turn off power at fuse box or circuit breaker before trouble shooting your fan.

Trouble	Probable Cause	Suggested Remedy
<b>1. FAN WILL NOT START</b>	<ol style="list-style-type: none"> <li>1. Fuse or circuit breaker blown.</li> <li>2. Loose power line connections to the fan, or loose switch wire connections in the switch housing.</li> <li>3. Dead battery in remote control.</li> </ol>	<ol style="list-style-type: none"> <li>1. Check main and branch circuit fuses or circuit breakers.</li> <li>2. Check line wire connections to fan and switch wire connections in the switch housings. <b>CAUTION: Make sure main power is turned off !</b></li> <li>3. Replace with fresh battery.</li> </ol>
<b>2. FAN SOUNDS NOISY</b>	<ol style="list-style-type: none"> <li>1. Blades not attached to fan.</li> <li>2. Loose screws in motor housing.</li> <li>3. Screws securing fan blade holders to motor flywheel are loose.</li> <li>4. Wire connectors inside housing rattling.</li> <li>5. Motor noise caused by solid state variable speed control.</li> <li>6. Screws holding blade to blade flanges are loose.</li> <li>7. Rubber flywheel set screw loose.</li> </ol>	<ol style="list-style-type: none"> <li>1. Attach blades to fan before operating.</li> <li>2. Check to make sure all screws in motor housing are snug (not over-tight).</li> <li>3. Check to make sure the screws which attach the fan blade holders to the motor flywheel are tight.</li> <li>4. Check to make sure wire connectors in switch housing are not rattling against each other or against the interior wall of the switch housing. <b>CAUTION: Make sure main power is turned off !</b></li> <li>5. Some fan motors are sensitive to signals from solid-state variable speed controls. Solid-state controls are not recommended, choose an alternative control method.</li> <li>6. Tighten screws securely.</li> <li>7. Tighten set screw securely.</li> </ol>
<b>3. FAN WOBBLER EXCESSIVELY</b>	<ol style="list-style-type: none"> <li>1. Setscrew in downrod support is loose.</li> <li>2. Setscrew in downrod/hanger ball assembly is loose.</li> <li>3. Screws securing fan blade holders to flywheel are loose.</li> <li>4. Blade holder flanges not seated properly.</li> <li>5. Hanger bracket and/or ceiling outlet box is not securely fastened.</li> <li>6. Fan blades out of balance.</li> </ol>	<ol style="list-style-type: none"> <li>1. Tighten both setscrews securely in downrod support.</li> <li>2. Tighten the setscrew in the downrod/hanger ball assembly.</li> <li>3. Check to be sure screws which attach the fan blade holders to the flywheel are tight.</li> <li>4. Check to be sure the fan blade holder flanges seat firmly and uniformly to the surface of the flywheel. If flanges are seated incorrectly, loosen the screws and retighten.</li> <li>5. Tighten the hanger bracket screws to the outlet box, and secure outlet box.</li> <li>6. Interchanging position of fan blades can redistribute the weight and result in a smoother operation. For example, exchange blades in positions 1 and 3 or 2 and 3.</li> </ol>
<b>4. NOT ENOUGH AIR MOVEMENT</b>		<ol style="list-style-type: none"> <li>1. If possible, consider using a longer downrod. For example, use a 12" downrod instead of the 6" downrod that comes with your fan.</li> <li>2. Consider using a narrow blade instead of the wide oval. Wooden narrow blades are available.</li> </ol>





**10983 Bennett Parkway  
Zionsville, IN 46077  
(888) 567-2055**

**FAX (866) 482-5215**

**Outside U.S. call (317) 773-4113**

**Visit Our Website @ [www.fanimation.com](http://www.fanimation.com)**