

The Air Shadow™

FP815FS – Fabric Shade



SPECIFICATION SHEET

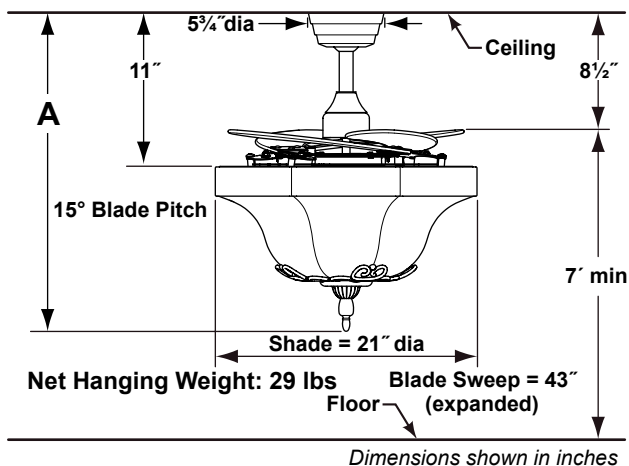


celebrating 25 years

Product Specifications subject to change

The Air Shadow™ Fan Asm – FP815FS

Fabric Shade Retractable Ceiling Fan



Available Finish	
FS	Fabric Shade with Oil-Rubbed Bronze Fan Components and Cherry Wood Blades

Distance from Ceiling to Bottom of Fan	A
Fan w/6" downrod	24 1/4"
Fan w/12" downrod	30 1/4"
Fan w/18" downrod	36 1/4"
Fan w/24" downrod	42 1/4"
Fan w/36" downrod	54 1/4"
Fan w/48" downrod	66 1/4"
Fan w/60" downrod	78 1/4"
Fan w/72" downrod	90 1/4"

Airflow / Energy Efficiency Info (120V)					
Fan Speed	Max RPM	CFM	CFM / Watts	Amps	Watts
High	267	4514	87	0.40	48
Med	220	3696	103	0.38	35
Low	168	2776	127	0.33	22

INSTALLATION REQUIREMENTS:

Fan must be attached to a securely anchored electrical junction box capable of withstanding a load of at least 50 lbs.

ELECTRICAL REQUIREMENTS:

Requires a grounded electrical supply line of 120 volts AC, 60 Hz, 15 amp circuit.

MOTOR SPECS:

188 x 18 motor is designed for optimal performance with this fan.

BLADES:

A set of four cherry finish wood blades included.

CONTROL OPTIONS:

C28 hand-held reversible remote control with canopy-style receiver unit (RECCAN57DEMO) included. Frequency code settings are located in both transmitter and receiver units. Push-button remote has 3 reversible fan speeds, infinite light level dimming, demo mode and off button. Demo mode is initiated by pressing the Demo button on the remote. Lights will flash 3 times when demo mode is initiated and fan runs for 2 1/2 minutes, then shuts off for 1/2 minute. Demo mode continues until any other button is pressed on the remote control. Optional C21 wall control is available—sold separately. Instructions are provided with each control.

LIGHTING OPTIONS:

Includes LK815OB fabric shade light kit and three 60-watt candelabra bulbs.

DOWNROD OPTIONS:

Fan comes with a 1" dia. x 6" long downrod (DR1-6). Optional downrods are available in 12", 18", 24", 36", 48", 60" and 72" lengths. Fan can be mounted on a sloped ceiling up to 30°. Most sloped ceiling installations require a downrod longer than the standard 6" downrod. Optional sloped ceiling ball kits (SCB1-52) are available for slope angles greater than 30° and up to 52°. Call technical support for more information.

LOCATION USE:

Fan is rated for dry locations only.



10983 Bennett Parkway
Zionsville, IN 46077
Toll Free (888) 567-2055
FAX (866) 482-5215

Outside U.S. call (317) 733-4113

Visit Our Website www.fanimation.com

