

The Extraordinaire™

OF110 Series



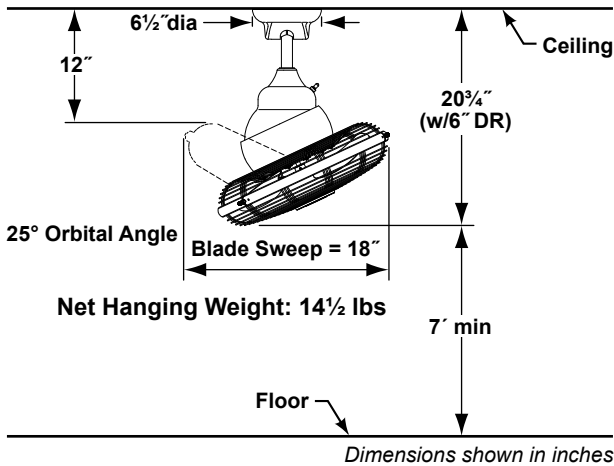
SPECIFICATION SHEET



celebrating 25 years

Product Specifications Subject To Change

The Extraordinaire™ Fan – OF110**



Available Finish	
OB	Oil-Rubbed Bronze
PW	Pewter
SN	Satin Nickel

Distance from Ceiling to Bottom of Fan	A
Fan w/6" downrod	20 ³ / ₄ "
Fan w/12" downrod	26 ³ / ₄ "
Fan w/18" downrod	32 ³ / ₄ "
Fan w/24" downrod	38 ³ / ₄ "
Fan w/36" downrod	50 ³ / ₄ "
Fan w/48" downrod	62 ³ / ₄ "
Fan w/60" downrod	74 ³ / ₄ "
Fan w/72" downrod	86 ³ / ₄ "

INSTALLATION REQUIREMENTS:

Ceiling fan attaches to electrical junction box securely anchored and capable of withstanding a load of at least 50 lbs.

ELECTRICAL REQUIREMENTS:

Ceiling fan requires a grounded electrical supply line of 120 volts AC, 60 Hz, 15 amp circuit. 220 VAC, 50 Hz export version is available.

FAN SPEEDS:

3 fan speeds (forward only) with rotary switch (on top of the motor). High – 1,270 rpm; Med – 1,050 rpm; Low – 725 rpm

CONTROL OPTIONS:

The 3-speed fan-only wall control (CW110) is included. Optional 3-speed remote control RC110 with canopy receiver is available and sold separately.

DOWNROD OPTIONS:

The Extraordinaire™ fan comes with a 1" Dia. x 6" (DR1-6) downrod. Optional downrods are available in 12", 18", 24", 36", 48", 60", and 72". For installations requiring a longer downrod, a downrod coupler is available. The Extraordinaire™ fan can be mounted on a sloped ceiling up to 50°. Most sloped ceiling installations require a downrod longer than the standard 6" downrod. Call tech support for more information.

DAMP LOCATION:

OB and SN finishes rated for Damp/Dry Location usage.
PW finish rated for Dry Location Only.



Copyright 2009 Fanimation, Inc.

10983 Bennett Parkway
Zionsville, IN 46077
Toll Free (888) 567-2055
FAX (866) 482-5215

Outside U.S. call (317) 733-4113
Visit Our Website www.fanimation.com



2009/01