

Evanesce[®]

FP2700BL



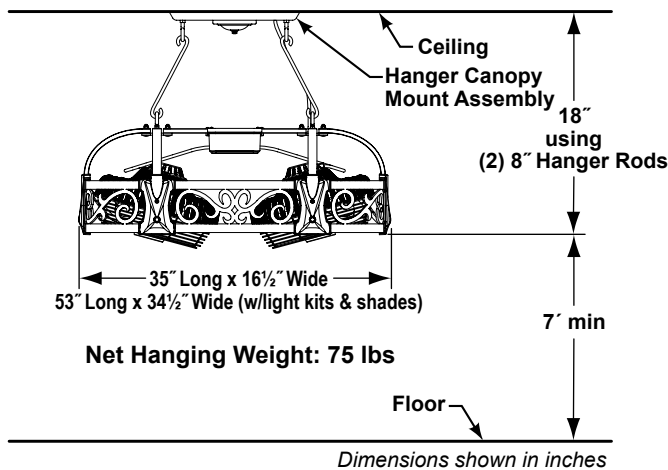
SPECIFICATION SHEET



celebrating 25 years

Product Specifications subject to change

Evanesce® Fan Assembly – FP2700BL



Available Fan Finish	
BL	Black



INSTALLATION REQUIREMENTS:

Fan must be secured to a structural member such as a ceiling joist, capable of withstanding a load of at least 100 lbs. See hanging options below.

ELECTRICAL REQUIREMENTS:

Requires a grounded electrical supply line of 120 volts AC, 60 Hz, 15 amp circuit.

MOTOR SPECS:

Two 90 x 20 motors are designed for optimal performance with this fan.

FAN SPEEDS:

Fan heads pivot independently (non-oscillating). 3-speeds, non-reversing.
High—1,500 rpm; Med—1,200 rpm; Low—900 rpm

CONTROL OPTIONS:

C24 hand-held remote control, C25 wireless wall control (includes white faceplate) and receiver unit (P2704) are included. Push button remote control has 3 fan speeds, infinite light levels (360 watt max.) and off button. Instructions are provided with each control.

HANGER OPTIONS:

Both Hanger Canopy Mount and Hanger Eye Bolt Mount options are available with this fan assembly. Includes Hanger Canopy assembly, 80" chains (2), 8" Hanger Rods (4), Hanger Eye Bolts (2) and "S" Hooks (4).

LIGHTING OPTIONS:

One to six light arms may be used with or without optional shades. Requires one 60-watt max candelabra bulb per light arm (included). Available in three different finishes. Maximum wattage not to exceed 360 watts.

SHADES OPTIONS—sold separately:

Shades are available in two styles/colors. See our catalog or visit www.fanimation.com for shade selections.

LOCATION USE:

Fan is damp location rated.



10983 Bennett Parkway
Zionsville, IN 46077
Toll Free (888) 567-2055
FAX (866) 482-5215

Outside U.S. call (317) 733-4113

Visit Our Website www.fanimation.com

