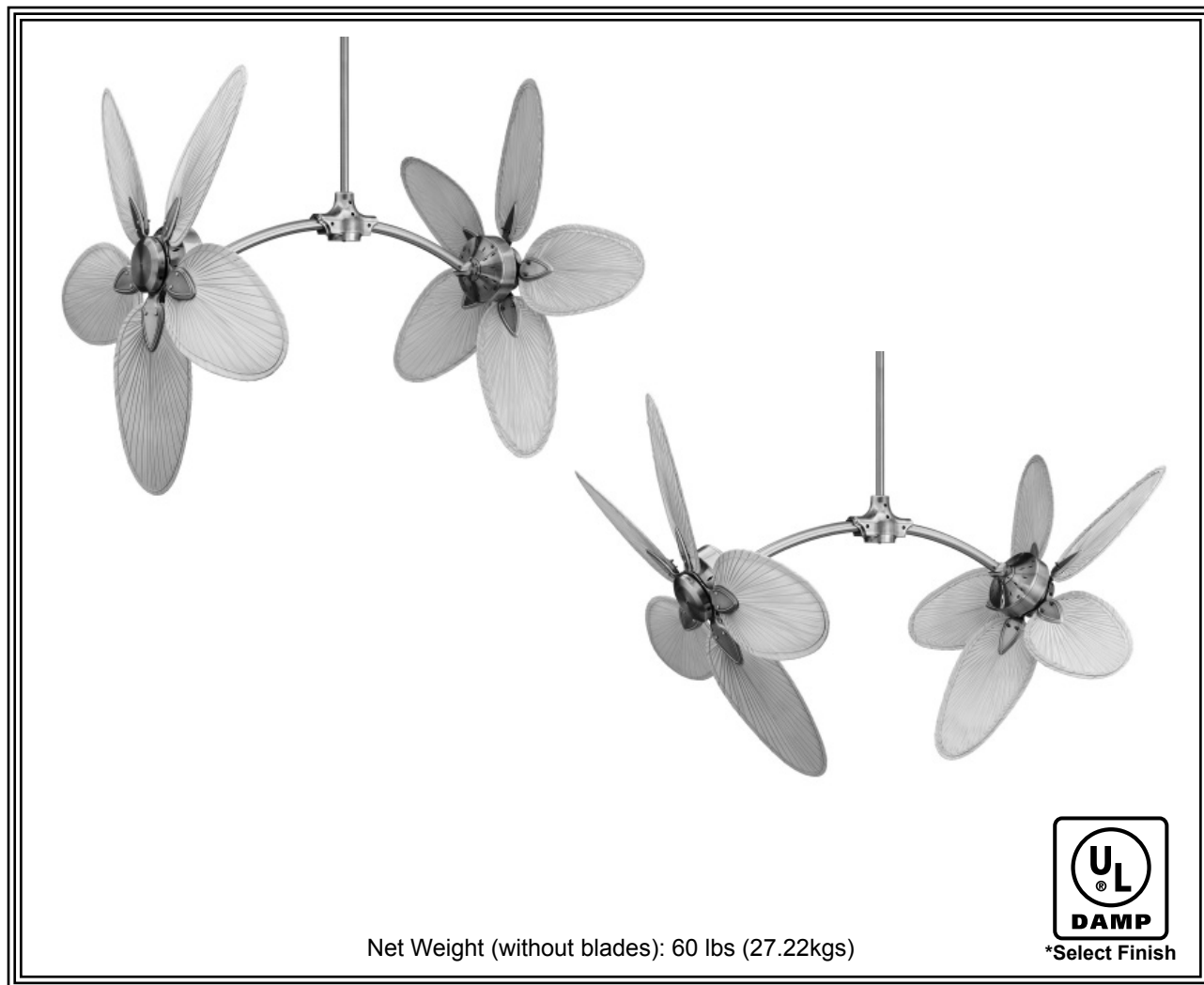


The Caruso[®]

Ceiling Fan



Model No. FP7000**

OWNER'S MANUAL
READ AND SAVE THESE INSTRUCTIONS

FANIMATION

**Damp Location Model; Top of fan is marked, "Suitable For Use In Damp Locations"*

Important Safety Instructions

WARNING: To avoid fire, shock and serious personal injury, follow these instructions.

1. Read your owner's manual and safety information before installing your new fan. Review the accompanying assembly diagrams.
2. Before servicing or cleaning unit, switch power off at service panel and lock service panel disconnecting means to prevent power from being switched on accidentally. When the service disconnecting means cannot be locked, securely fasten a warning device, such as a tag, to the service panel.
3. Be careful of the fan and blades when cleaning, painting, or working near the fan. Always turn off the power to the ceiling fan before servicing.
4. Do not insert anything into the fan blades while the fan is operating.
5. Do not operate reversing switch until fan blades have come to a complete stop.

Additional Safety Instructions

1. To avoid possible shock, be sure electricity is turned off at the fuse box before wiring, and do not operate fan without blades.
2. All wiring and installation procedures must satisfy National Electrical Codes (ANSI/ NFPA 70-1999) and local codes. Use the National Electrical Code if Local Codes do not exist. The ceiling fan must be grounded as a precaution against possible electrical shock. Electrical installation should be made or approved by a licensed electrician.
3. The fan base must be securely mounted and capable of reliably supporting at least 100 lbs. (fan and accessories not to exceed 35 lbs. or 16 kgs.). Outlet boxes are not acceptable for fan support. See page 4 of owner's manual for support requirements. Consult a qualified electrician if in doubt.
4. **CAUTION:** To reduce the risk of personal injury, mount the fan base to a ceiling joist or structural member using the hardware provided with your fan.
WARNING: Support Directly from Building Structure.
5. The fan must be mounted with the fan blades at least 7 feet from the floor to prevent accidental contact with the fan blades.
6. Follow the recommended instructions for the proper method of wiring your ceiling fan. If you do not have adequate electrical knowledge or experience, have your fan installed by licensed electrician.
WARNING: To reduce the risk of fire or electric shock, do not use any solid-state speed controls.
WARNING: TO REDUCE THE RISK OF SHOCK, THIS FAN MUST BE INSTALLED WITH AN ISOLATING WALL CONTROL/SWITCH.
WARNING: This product is designed to use only those parts supplied with this product and/or accessories designated specifically for use with this product. Using parts and/or accessories not designated for use with this product could result in personal injury or property damage.*
WARNING: To reduce the risk of personal injury, do not bend the blade bracket (flange or blade holder) when installing the brackets, balancing the blades, or cleaning the fan. Do not insert foreign objects in between rotating fan blades.

LIMITED LIFETIME WARRANTY

Extends to the original purchaser of a Fanimation Fan

1. LIMITED LIFETIME MOTOR WARRANTY - If any part of your fan motor fails, due to a defect in materials or workmanship during the lifetime of the original purchaser, Fanimation will provide the replacement part free of charge, when the defective fan is returned to our national service center. Proof of purchase is required. Customer shall be responsible for all costs incurred in the removal or reinstallation and shipping of the product for repairs or replacement.
2. ONE YEAR MOTOR LABOR WARRANTY - If your fan motor fails at any time within one year from the original purchase, due to defects in materials or workmanship, labor to repair the motor will be provided free of charge at our national service center. Purchaser will be responsible for labor charges after this one-year period. Customer shall be responsible for all costs incurred in the removal or reinstallation and shipping of the product for repairs or replacement.
3. If any other part of your fan fails at any time within one year after original purchase, due to a defect in materials or workmanship, we will repair, or replace, at our option, the defective part free of charge for parts and labor performed at our national service center.
4. Because of varying climate conditions, this warranty does not cover changes in the finish, including rusting, pitting, corroding, tarnishing, or peeling.
5. This warranty is void and does not apply to damage from improper installation, neglect, accident, misuse, exposure to extremes of heat or humidity, or as a result of any modification to the original product.
6. All costs of removal and reinstallation of the fan are the sole responsibility of the owner of the fan and not the store that sold the fan or Fanimation.
7. Fanimation reserves the right to modify or discontinue any product at any time and may substitute any part under this warranty.
8. Under no circumstances may a fan be returned without prior authorization from Fanimation. The receipt of purchase must accompany authorized returns and must be sent freight prepaid to Fanimation. The fan to be returned must be properly packed to avoid damage in transit; Fanimation will not be responsible for any damage resulting from improper packaging.
9. It is understood that any repair or replacement is the exclusive remedy available from Fanimation. There is no other expressed or implied warranty. Fanimation hereby disclaims any and all implied warranties, including, but not limited to those of merchantability and fitness for a particular purpose to the extent permitted by law. Some states do not allow limitations on implied warranties. Fanimation will not be liable for incidental, consequential, or special damages arising out of or in conjunction with product use or performance, except as may otherwise be accorded by law. This warranty gives you special legal rights and you may also have other rights that vary from state to state.
10. A certain amount of wobble is normal and should not be considered a problem or a defect.

***DAMP LOCATION CEILING FAN:** If you have purchased a Damp Location Ceiling Fan, you may only use light kits marked suitable for use in damp locations.

Table of Contents

Unpacking Instructions	3	Blade Attachment	11
Electrical and Structural Requirements	4	Housing Switch Cup / Adapter Plate Assembly	11
Fan Alignment And Hanger Bracket Installation	4	Adjusting and Setting the Motor Head Angles	12
Assembling and Hanging the Ceiling Fan	6	Downrod / Blade Lengths vs Motor Head Angle Specifications	13
Wiring and Control Options	8	Controlling Airflow Patterns	14
How to Wire Your Ceiling Fan	8	Maintenance	14
How to Wire Your Ceiling Fan - C3-CA Wall Control	9	Blade Cleaning	14
Operating Instructions - C3-CA Wall Control	9	Trouble Shooting	15
Installing the Canopy Housing	10	Parts List	16
Assembling the Fan Blades	10	Exploded-View Illustration	17

This Manual is Designed to Make it as Easy as Possible for You to Assemble, Install, Operate, and Maintain Your Ceiling Fan

Tools Needed for Assembly

- One Phillips head screwdriver
- One stepladder
- One ¼" blade screwdriver
- One wire stripper
- Four wire connectors (supplied)
- 7/16", ½" & 9/16" wrench or socket wrench

NOTE: Assemble with Hand tools Only!

⚠ WARNING

Before assembling your ceiling fan, refer to section on proper method of wiring your fan (page 8). If you feel you do not have enough wiring knowledge or experience, have your fan installed by a licensed electrician.

Materials

Wiring outlet box and box connectors must be of type required by local code. The minimum wire would be a 3-conductor (2-wire with ground) of the following size:

Installed Wire Length	Wire Size A.W.G.
Up to 50 ft.	14
50 - 100 ft.	12

NOTE: Place the parts from the loose parts bags in a small container to keep them from being lost. If any parts are missing, contact your local retailer.

DAMP LOCATION CEILING FAN: If you have purchased a Damp Location Ceiling Fan, you may only use light kits marked suitable for use in damp locations.

Unpacking Instructions

For your convenience, check-off each step. As each step is completed, place a check mark. This will ensure that all steps have been completed and will be helpful in finding your place should you be interrupted.

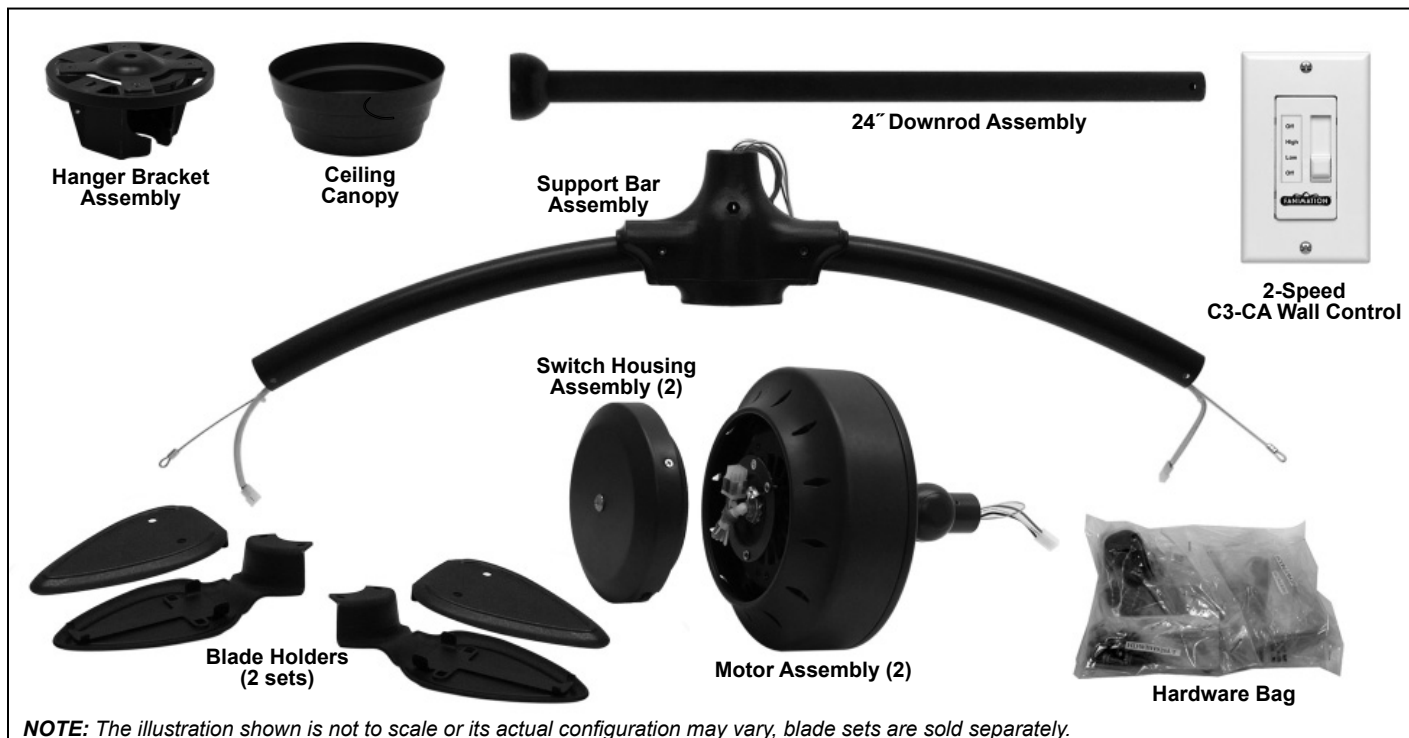
⚠ WARNING

Do not install or use fan if any part is damaged or missing. This product is designed to use only those parts supplied with this product and/or any accessories designated specifically for use with this product by Fanimation. Substitution of parts or accessories not designated for use with this product by Fanimation could result in personal injury or property damage. Contact your retail store for missing or damaged parts.

1. Check to see that you have received the following parts:

NOTE: If you are uncertain of part description, refer to parts list/exploded view illustration. (Pages 16,17)

- Hanger Bracket Assembly
- Ceiling Canopy
- 24" Downrod/Ball Assembly
- Support Bar Assembly
- Two Motor Assemblies
- Two Switch Cup Assemblies
- Blade Holder pack containing:
 - Five blade holders (red dot)
 - Five blade holders (white dot)
 - Ten blade arm covers
- Blade Cover Mounting Hardware Bag
 - 3/16"-24 carriage head nut (21)
 - 3/16"-24 x 17mm washer-head screws & fiber washers (21)
- Blade to Motor Hardware Bag
 - ¼"-20 x 14mm screws with lockwashers (21)
 - Fanimation screwdriver
- 2-speed, C3-CA wall control
- Support Cable bag:
 - Ceiling Support Cable
 - Cable Clamp (3)
 - 5" lag bolt
 - ¾" flat washer
- Hardware bag:
 - 2" lag bolt
 - 5 mm Allen wrench
 - Two ½"-32 x 1" threaded rods
 - Two ½"-32 external lockwashers
 - Two ½" knurled knobs
 - Six motor mounting screws
 - One ¼"-20 x 2 ½" cap head screw
 - One ¼"-20 nylon lock nut
 - Four wire connectors



NOTE: The illustration shown is not to scale or its actual configuration may vary, blade sets are sold separately.

Electrical and Structural Requirements

Your new ceiling fan will require a grounded electrical supply line of 120VAC, 60 Hz, 15 amp circuit. The outlet box must be securely anchored and capable of withstanding a load of at least 100 lbs. Figure 1 depicts different structural configurations that may be used for mounting the outlet box.

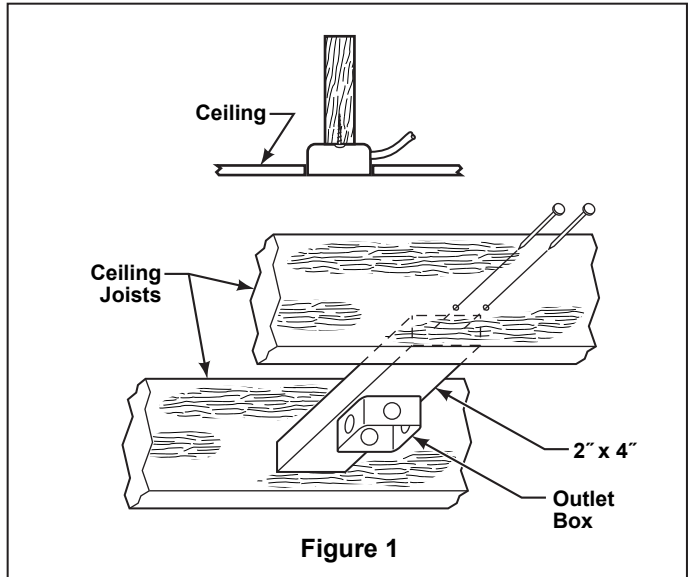
If your fan is to replace an existing light fixture, turn electricity off at the main fuse box at this time and remove the existing light fixture.

▲ WARNING

Turning off wall switch is not sufficient. To avoid possible electrical shock, be sure electricity is turned off at the main fuse box before wiring. All wiring must be in accordance with National and Local codes and the ceiling fan must be properly grounded as a precaution against possible electrical shock.

▲ WARNING

To avoid fire or shock, follow all wiring instructions carefully. Any electrical work not described in these instructions should be done or approved by a licensed electrician.



Fan Alignment And Hanger Bracket Installation

▲ WARNING

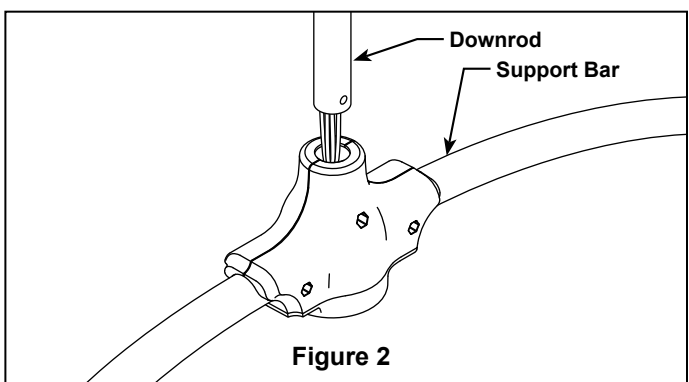
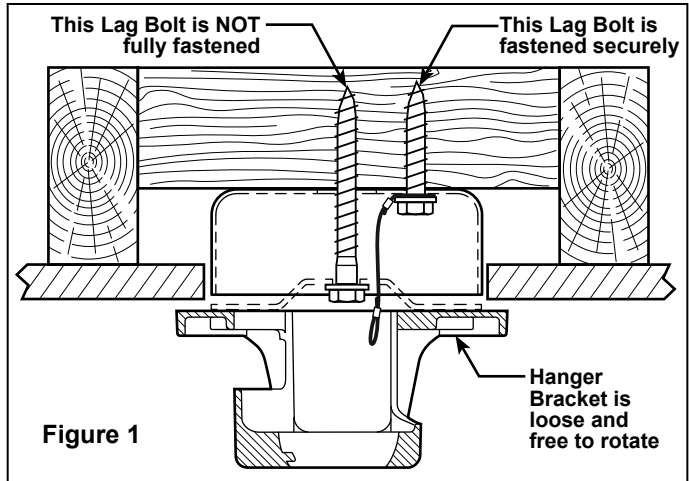
Failure to follow these Hanger Bracket installation procedures may result in damage to Hanger Bracket.

1. Attaching Ceiling Support Cable (Figure 1): Drill $\frac{1}{4}$ " pilot hole through one of the four corners of the junction box, into the ceiling joist or structural member. Securely attach the ceiling support cable with $\frac{3}{8}$ " x 2" lag bolt and flat washer.

NOTE: Ceiling support cable must be fastened between flat washer and junction box with 2" lag bolt (Figure 1).

2. Preliminary Hanger Bracket Attachment (Figure 1): Drill $\frac{1}{4}$ " pilot hole through the center of the junction box, into the ceiling joist or structural member. **LOOSELY** attach hanger bracket to the ceiling structure using $\frac{3}{8}$ " x 5" lag bolt and flat washer. **DO NOT FULLY TIGHTEN THE LAG BOLT YET!** Hanger Bracket should be free to rotate.

3. Separate and untwist the three motor leads and safety cable. Remove hanger ball & pin prior to routing wires. Route the motor leads and safety cable through the bottom end of the downrod as shown (Figure 2).



Fan Alignment And Hanger Bracket Installation (cont'd)

INSTALLATION NOTE

Be sure that the safety cable (along with the electrical supply wires) is pulled through the downrod when installing the downrod to the support bar.

4. Position the bottom end of the downrod inside the housing support located at the center of the support bar assembly. It may be necessary to loosen the two screws that go through the crossbar assembly if the downrod does not slide into the housing support easily without scratching the finish. Connect the downrod to the housing support using the $\frac{1}{4}$ " x $2\frac{3}{16}$ " socket head bolt and locking nut. Securely tighten both bolt and nut. (Figure 3)

5. Slide Canopy over the downrod. (Figure 4)

6. Route wires and safety cable through the Hanger Ball Assembly.

7. Assemble the Hanger Ball Assembly to top of the downrod with the set screw. (Figure 4)

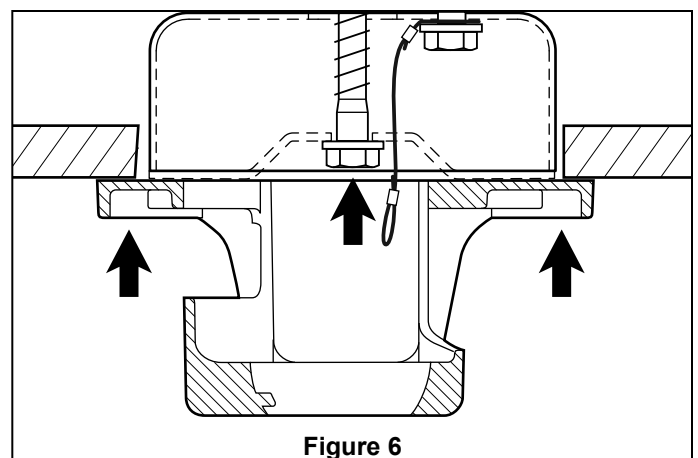
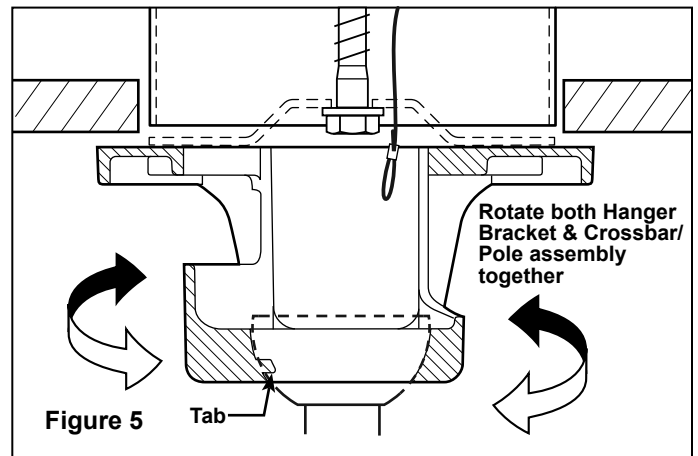
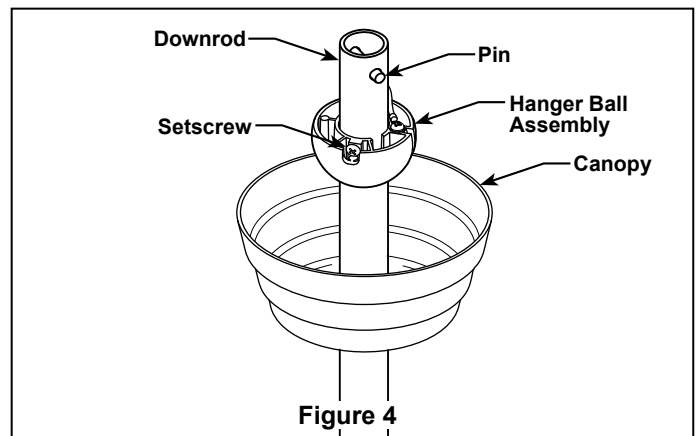
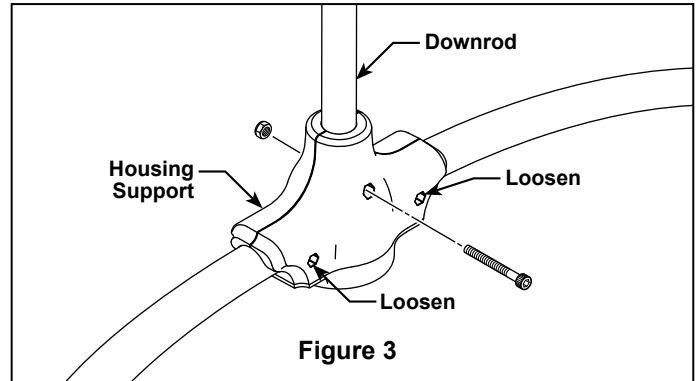
8. Before installing fan, measure up approximately 6-9 inches above the top of the downrod. Cut off excess wire and strip back insulation $\frac{1}{2}$ " from end of wire.

9. Hang the support bar / downrod assembly (assembled earlier) into the the hanger bracket. Make sure the groove of the hanger ball is positioned on the tab of the hanger bracket. (Figure 5)

10. Carefully **ROTATE** the Hanger Bracket and support bar / downrod assembly together to orientate the fan in the desired position. (Figure 5)

11. Carefully remove the support bar / downrod assembly from the Hanger Bracket.

12. NOW, securely and fully tighten the lag bolt in the center of the Hanger Bracket while being careful not to allow the Hanger Bracket to rotate. (Figure 6)



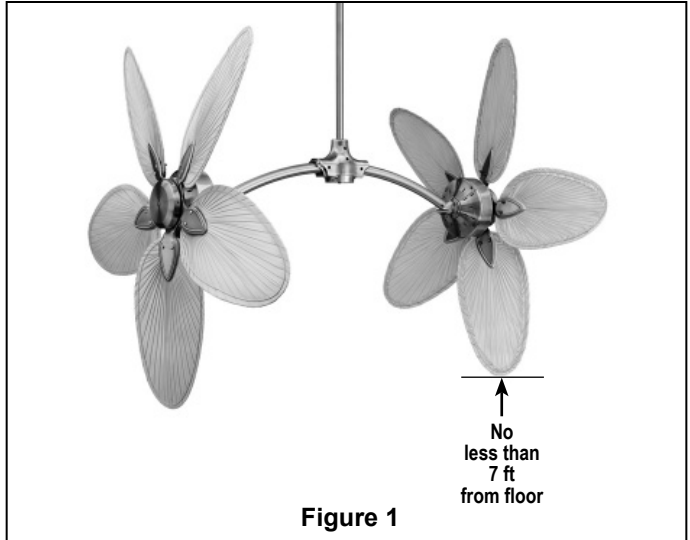
Assembling and Hanging the Ceiling Fan

CAUTION

The fan must be hung with at least 7' of clearance from floor to blades (vertical position as shown in Figure 1)

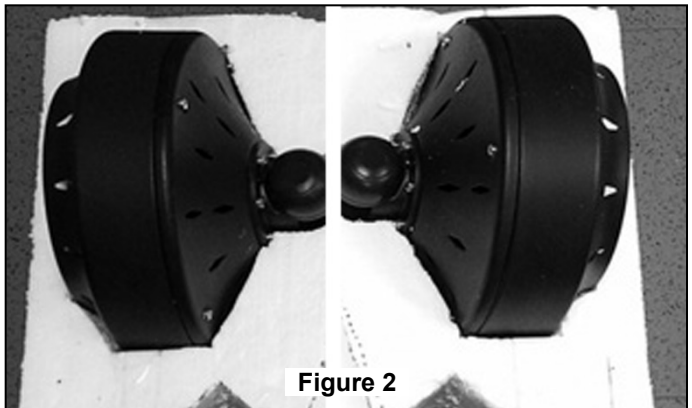
INSTALLATION NOTE

Do not connect fan blades until the fan is completely installed. Hanging the fan with blades connected may result in damage to the fan blades.



1. To prevent damage to motor housing, leave the motor assemblies in its packing during installation of assembled downrod / support bar assembly. (Figure 2)

NOTE: Do not set Support Bar and Motor Assemblies on floor or hard surface.

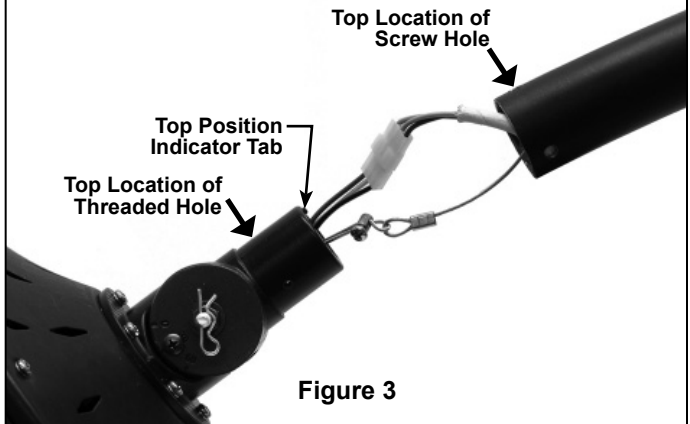


INSTALLATION NOTE

The motor's Top Position Indicator Tab **MUST** be in top position for the motor holes to align with tube assembly holes. (Figures 3, 4)

2. Securely attach plug from motor to socket on support tube assembly and assemble safety cable with clamp as shown. (Figure 3)

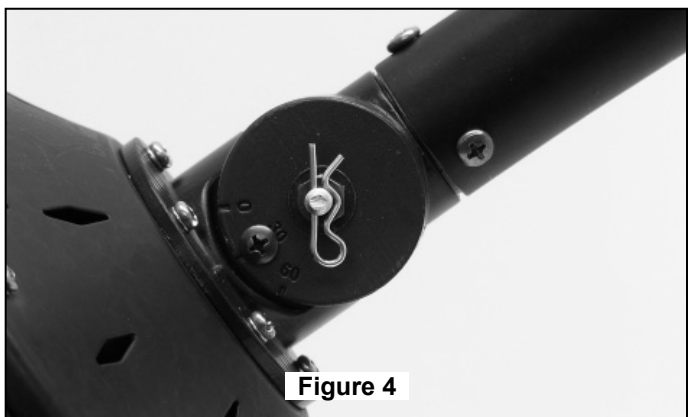
3. Align holes of tube with holes of motor assembly and install three screws at each motor. Do not over-tighten. (Figures 3, 4)



⚠ WARNING

To avoid possible fire or shock, make sure that the electrical wires are completely inside the tube assembly and not pinched between the motor assembly and the tube assembly.

NOTE: See page 12 for motor head angle adjustment instructions.



Assembling and Hanging the Ceiling Fan (cont'd)

4. You have now completed the assembly of the downrod/support bar/motors assembly. You can now proceed with step 5 below.

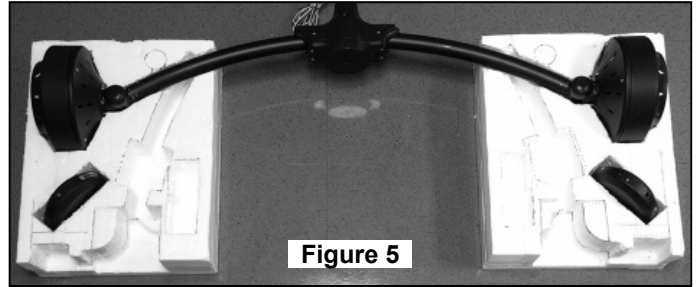


Figure 5

▲ WARNING

Failure to seat tab in groove could cause damage to electrical wires and possible shock or fire hazard.

▲ WARNING

To avoid possible shock, do not pinch wires between the downrod/hanger ball assembly and the hanger bracket.

INSTALLATION NOTE

HEAVY! Two or three people are required to hang the fan.

5. Carefully lift the fan assembly and seat the downrod/hanger ball/support bar assembly on the hanger bracket that was just attached to the ceiling joist. Be sure the groove in the ball is lined up with tab on the hanger bracket. (Figure 6)

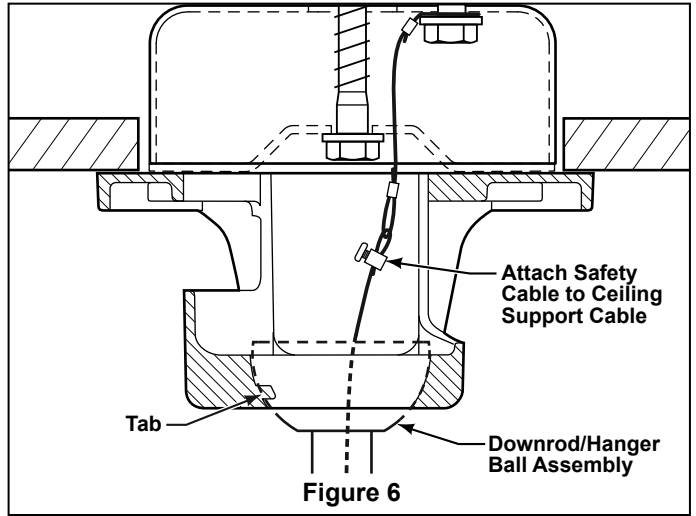


Figure 6

6. Attach the safety cable to ceiling support cable. Slide cable clamp onto safety cable (from fan). Place the end of cable through the loop of ceiling support cable. Pull as much cable through loop as possible. Feed end of cable into clamp hole and firmly tighten screw (Figure 6). Cut off excess safety cable.

7. Make sure the electrical supply wires, including the hanger bracket grounding wire are pulled through the downrod, between the hanger bracket and the junction box so that electrical connections can be made.

Wiring and Control Options

Please choose one of the following options and proceed to the page as indicated.

1. Standard 4-position, 2-speed, fan-only C3 wall control, see page 9.
2. Optional fan & light slide wall control (C6). Please see instructions provided with control.

3. Optional fan & light remote control receiver unit (SW70), to be used in conjunction with: C24 hand-held remote control and/or C25 wall-mount remote control. Please see instructions provided with control.

NOTE: If you are using a Fanimation Light Fixture with your fan, see *Ceiling Fan Light Kit Installation Instructions* (packed with light kit) for wiring.

How to Wire Your Ceiling Fan

If you feel that you do not have enough electrical wiring knowledge or experience, have your fan installed by a licensed electrician.

▲ WARNING

To avoid possible electrical shock, be sure electricity is turned off at the main fuse box before wiring.
NOTE: If you are not sure if the outlet box is grounded, contact a licensed electrician for advice, as it must be grounded for safe operation.

1. Run the blue, black and white fan wires through the wiring hole in the side of the hanger bracket to allow for electrical connections.
2. Connect the green grounding wire from the hanger bracket and hanger ball to the grounding wire from the outlet box (this may be a bare wire or a wire with green insulation). Securely connect these three wires with wire connector supplied with your fan.
3. Securely connect the white wire from the fan motor to the white supply (neutral) wire using wire connector supplied (Figure 1).
4. Securely connect the black fan motor wire and blue wire to the black supply wire using wire connector supplied (Figure 1).

NOTE: If you are using a Fanimation Light Fixture with your fan, see *Ceiling Fan Light Kit Installation Instructions* for proper wiring.

INSTALLATION NOTE

If separate control of light fixture (optional) is desired, a separate switch leg from the outlet box is required. In this instance the blue wire from the fan will be connected to the light switch leg (typically red wire)

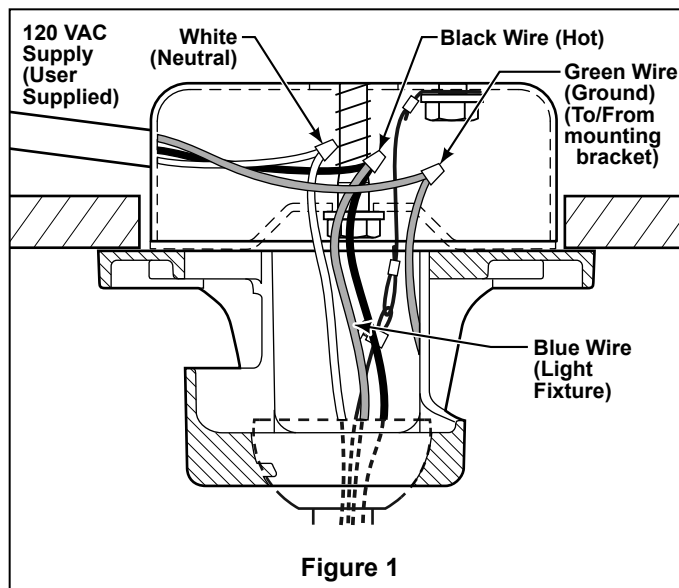


Figure 1

5. After connections have been made, turn leads upward and carefully push leads into the outlet box, with the white and green leads to one side of the box and the black and blue leads towards the other side.
6. After all electrical connections are made, secure the ceiling canopy to the hanger bracket with the threaded rods, lockwashers and knurled knobs provided (see page 10).
7. Blades are attached prior to attaching switch caps.

▲ WARNING

Check to see that all connections are tight, including ground, and that no bare wire is visible at the wire connectors, except for the ground wire. Do not operate fan until the blades is in place. Noise and fan damage could result.

How to Wire Your Ceiling Fan - C3-CA Wall Control

If you feel that you do not have enough electrical wiring knowledge or experience, have your fan installed by a licensed electrician.

NOTE: *If fan or supply wires are different colors than indicated, have this unit installed by a qualified electrician.*

Installing Wall Control (Figures 1 & 2):

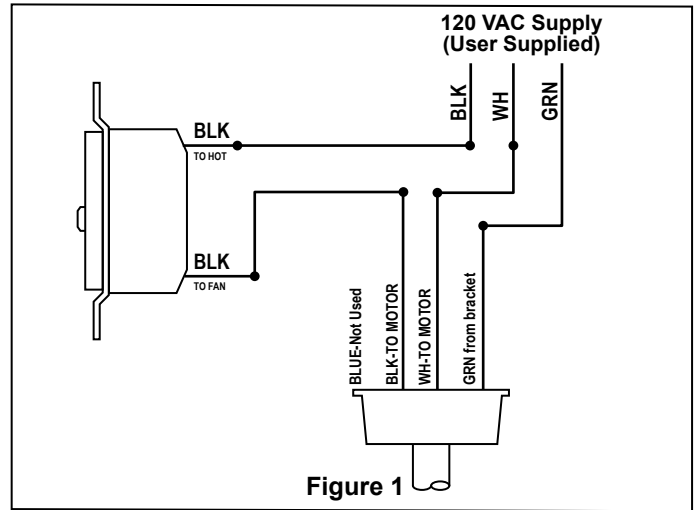
1. With electrical power still disconnected, remove the existing wall plate and switch. Make wiring connections with wire nuts as shown in Figure 1.

- One black wire from wall control unit to black (hot supply).
- One black wire from wall control unit to black wire leading to ceiling outlet box.

• Attach wall control unit to outlet box using the two 6-32 screws provided.

2. Attach wall plate to the switch control front using the two small screws provided.

3. Restore electrical power.

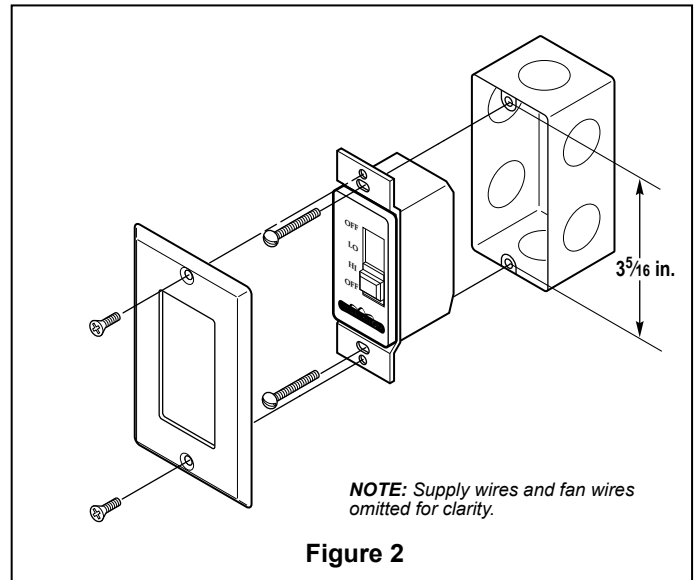


⚠ WARNING

To avoid possible fire or shock, make sure that the electrical wires are completely inside the outlet box and not pinched between the wall plate and the wall.

⚠ WARNING

Check to see that all connections are tight, including ground, and that no bare wire is visible at the wire connectors, except for the ground wire. Do not operate fan until the blades is in place. Noise and fan damage could result.



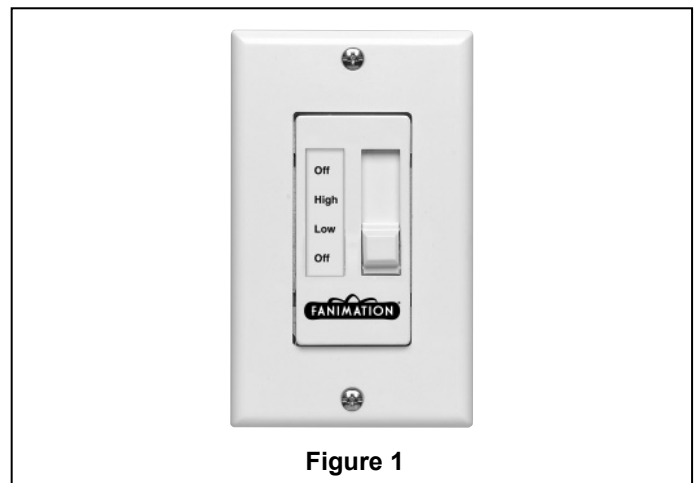
Operating Instructions - C3-CA Wall Control

NOTE: *Do NOT operate fan without blades & blade holders, switch cup assembly installed.*

Operating & Using Wall Control (Figure 1):

1. Check the operation of the fan by moving the slide switch on the wall control to low and then to high.

- OFF Switch – fan off
- LO Slide Switch – low fan speed
- HI Slide Switch – hi fan speed
- OFF Switch – fan off



Installing the Canopy Housing

NOTE: This step is applicable after the necessary wiring is completed. (see pages 8 and 9)

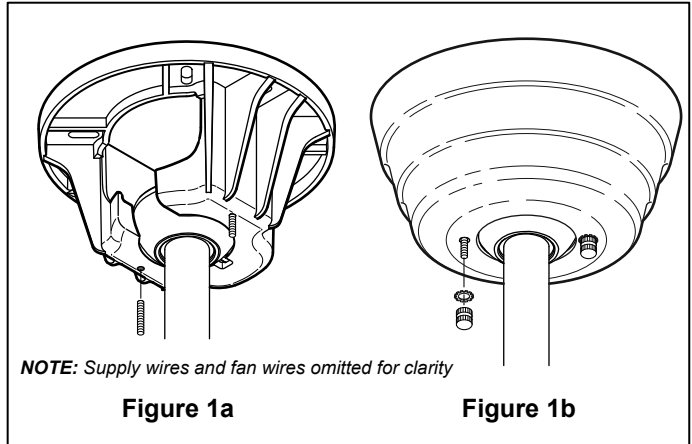
⚠ WARNING

To avoid possible fire or shock, make sure that the electrical wires are completely inside the canopy housing and not pinched between the housing and the ceiling.

1. Screw in two threaded rods into the Hanger Bracket (Figure 1a).

NOTE: The threaded rods in the hanger bracket serves as guides for easier installation.

2. Securely attach the Canopy Housing to the Hanger Bracket using the external lockwashers and knurled knobs supplied with your fan (Figure 1b)



Assembling the Fan Blades

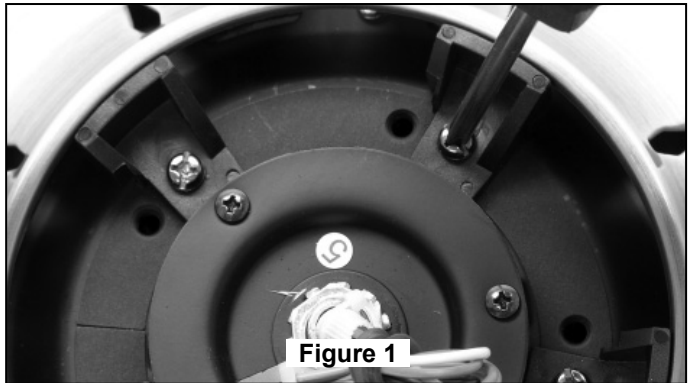
INSTALLATION NOTE

Do not connect fan blades until the fan is completely installed. Installing the fan with blades assembled may result in damage to the fan blades.

⚠ WARNING

To reduce the risk of personal injury, do not bend the blade holders when installing, balancing the blades or cleaning the fan. Do not insert foreign objects in between the rotating blades.

1. Remove and discard the (rubber) motor “stops” by removing the five screws. (Figure 1)



Blade & Blade Holder Assembly:

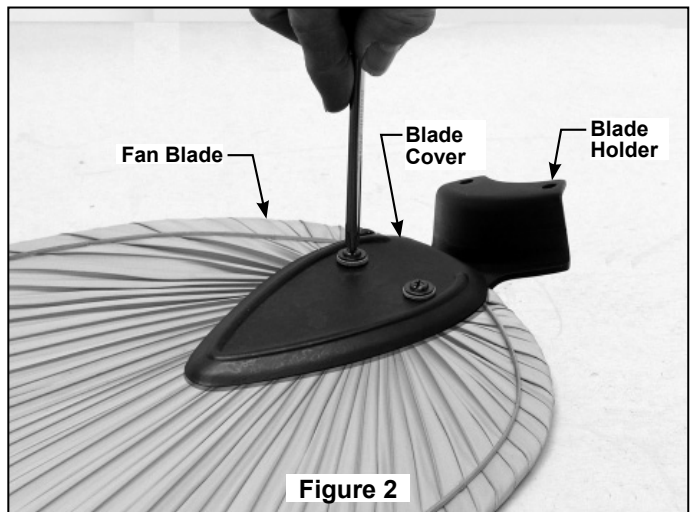
2. Lay the side of the blade holder on a flat surface with the inside of the blade holder facing up.

3. Assemble the blade to the blade holder with the carriage nuts, washer-head screws & fiber washers and the blade cover. Make sure the bottom edge of the blade is fully seated against the blade holder.

4. Tighten screws with a screwdriver provided, don't over-tighten. (Figure 2)

5. Attach assembled blades and blade holders to the motor hub using the provided screws & lock washers. (Figure 3)

6. Make sure the screws securing the blade holders to the motor hub are tight and that the blade holders are properly seated.



⚠ WARNING

To reduce the risk of personal injury, do not bend the blade holders when installing, balancing the blades or cleaning the fan. Do not insert foreign objects in between the rotating blades.

Blade Attachment

INSTALLATION NOTE

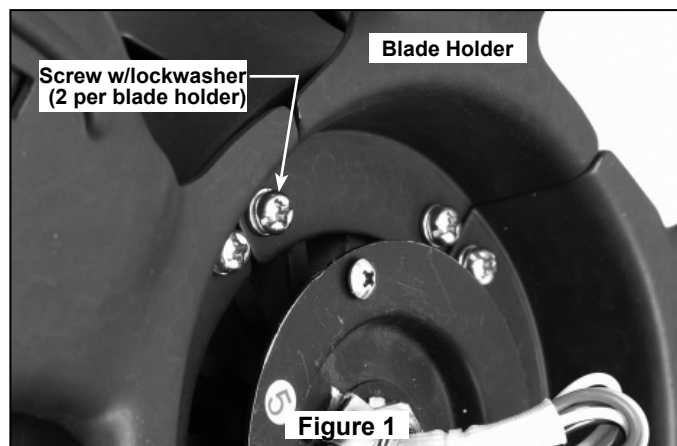
Attach the fan blades after hanging the fan body and wiring the fan to prevent blade breakage or damage.

1. Blade holders come packed in two different bundles, one blade holder set is marked with a red dot (5 pcs) and one blade holder set is marked with white dot (5 pcs). These colored dots indicate which motor switch set-up (red or white dot) to attach these blade holders to.

2. Using the (blade holder to hub) screws with lockwashers attach the blade holders to the corresponding motor assembly which also will be switched with a white or a red dot.

NOTE: Assemble with Hand Tools Only!

3. Make sure the screws securing the blade holders to the hub are secure not over-tightened and that the blade holders are properly seated on the hub (Figure 1).



INSTALLATION NOTE

Blade pitch is very important in the operation of your fan. Use blade holders and blade sets designed for the Caruso fan only.

Housing Switch Cup / Adapter Plate Assembly

INSTALLATION NOTE

This section is applicable after the fan and the blades are completely installed.

Housing Switch Cup/Adapter Assembly:

1. Disassemble the Housing Switch Cup/Adapter assembly by removing three screws. (Figure 1a)

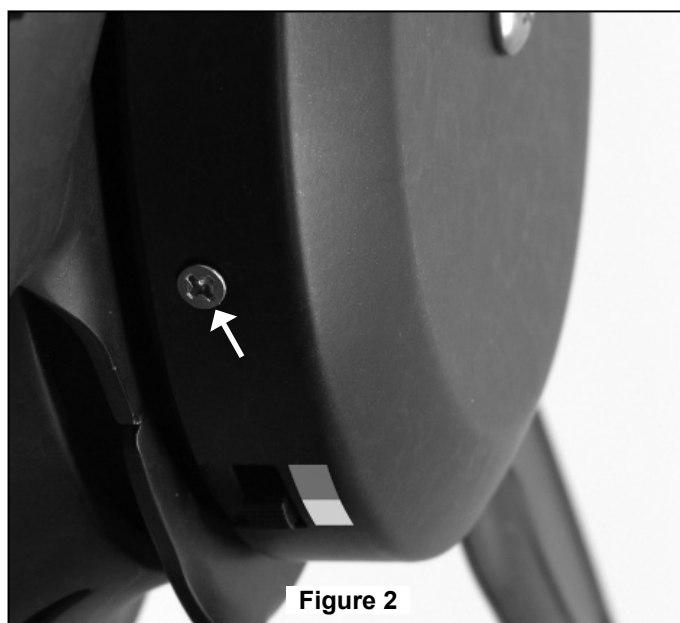
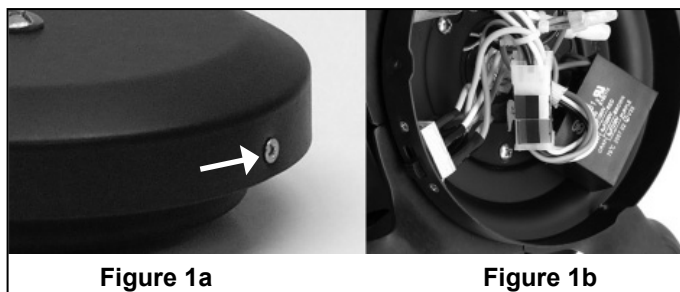
2. Loosen two screws and remove one screw from Housing Support Bracket.

3. Assemble the Adapter Plate assembly on the Housing Support Bracket by rotating plate and properly positioning screws in key slots. Install third screw in remaining hole. Fully tighten all three screws. (Figure 1b)

4. Securely attach the 9-pin Switch Cup connector to wiring harness socket within Adapter Plate assembly. (Figure 1b)

5. Assemble the Housing Switch Cup onto the assembled Adapter Plate with three screws. (Figure 2)

6. Repeat above steps for the second motor assembly.



Adjusting and Setting the Motor Head Angles

INSTALLATION NOTE

BOTH MOTOR HEADS MUST BE SET AT THE SAME ANGLE!

NOTE: This step is applicable after the necessary fan assembling, hanging and wiring is completed.

CAUTION

To reduce the risk of personal injury or damage to fan assembly, be sure to support the motor heads when adjusting or changing angles on the "knee-joint".

1. Remove knee caps from both side of each knee joints by twisting counter-clockwise. Figure 1 shows the angle tick mark details on both sides of "knee-joint" on the motor.

NOTE: The single screw (per each motor) serves as the index stop for each angle setting.

See chart below.

CAUTION

Do **NOT** Fully Remove The Center Knee Bolt, Only Loosen.

2. Be sure to secure the screw as shown per each motor in the corresponding chart below:

3. After setting corresponding motor head angles, be sure to securely tighten the nut on the knee bolt. (Figure 1)

4. Secure the knee covers on the knee bolts on both side of each knee joint. (Figure 2)

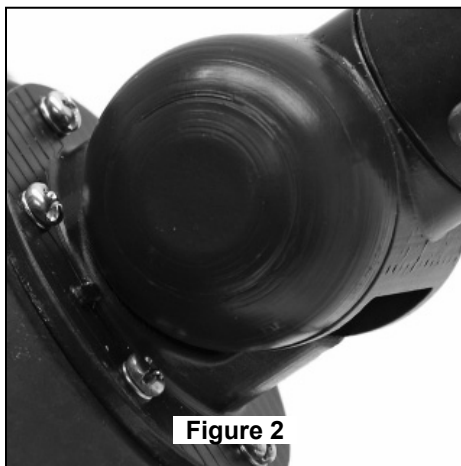


Figure 2

NOTE: 22" Natural Palm Blades Are **NOT** To Be Used At The 60° Setting.

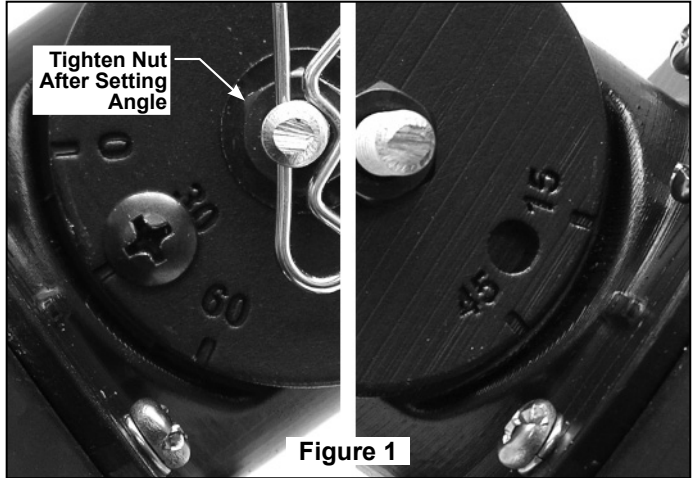
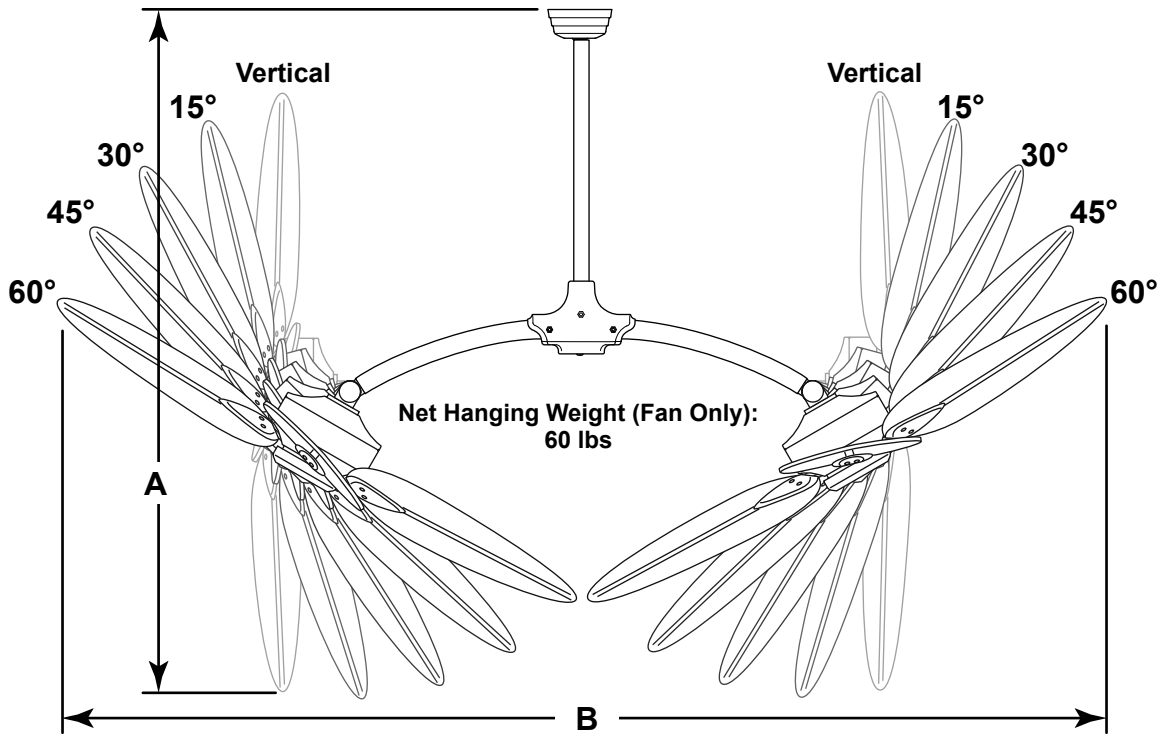


Figure 1

Angle Setting	Illustration	Side A of Joint	Side B of Joint
0° Vertical		Tick Mark on 0° Screw	
15°			Tick Mark on 15° Screw
30°		Tick Mark on 30° Screw	
45°			Tick Mark on 45° Screw
60°		Tick Mark on 60° Screw	

Downrod / Blade Lengths vs Motor Head Angle Specifications



CARUSO® BLADE SPACING SPECS CHART						
Motor Tilt Angle	18" Blades		20" Blades		22" Blades	
	Dim. "A" w/24" DR	Dim. "B"	Dim. "A" w/24" DR	Dim. "B"	Dim. "A" w/24" DR	Dim. "B"
Vertical	54½"	56½"	56½"	56½"	58½"	56½"
15°	55"	63½"	58"	64½"	59"	65½"
30°	54½"	73"	56"	75"	58"	77"
45°	52½"	80½"	54"	83"	55"	86"
60°	49"	85"	50"	88½"	51"*	92"*

*22" Natural Palm Blades Are NOT To Be Used At The 60° Setting

Dimensions shown in inches

CARUSO® CEILING / DOWNROD SPECS CHART						
Motor Tilt Angle	18" Blades		20" Blades		22" Blades	
	Minimum Ceiling Height	Minimum DR Length	Minimum Ceiling Height	Minimum DR Length	Minimum Ceiling Height	Minimum DR Length
Vertical	11'	18"	11'9"	24"	12'	24"
15°	11'	18"	11'9"	24"	12'	24"
30°	10'6"	12"	11'3"	18"	11'6"	18"
45°	10'6"	12"	10'6"	12"	10'6"	12"
60°	9'6"	6"	9'6"	6"	9'9"	6"

Dimensions shown in feet-inches

Controlling Airflow Patterns

NOTE: Choose one of the following color code blade & switch set-up combinations for the desired airflow direction as shown.

INSTALLATION NOTE

This section is applicable after the fan and the blades are completely installed.

1. Note the locations of the color code on the blade arm and the reversing switch. (Figures 1a & 1b)

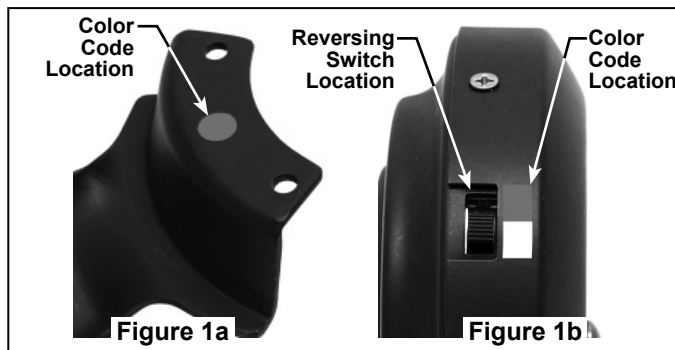


Figure 2:

Side A

Reversing Switch Setting - with Red Dot
Blade Arm Set - with Red Dot

Side B

Reversing Switch Setting - with White Dot
Blade Arm Set - with White Dot

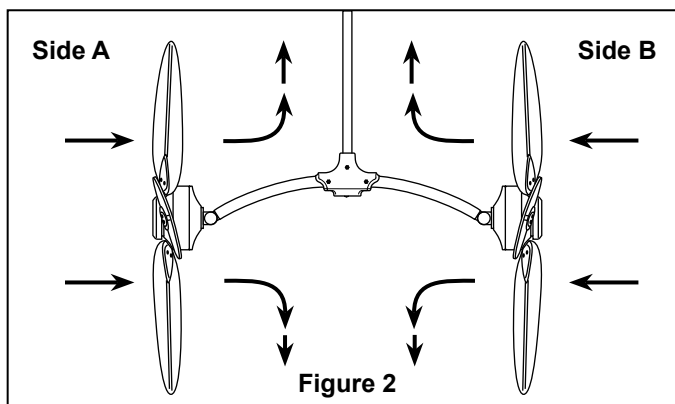


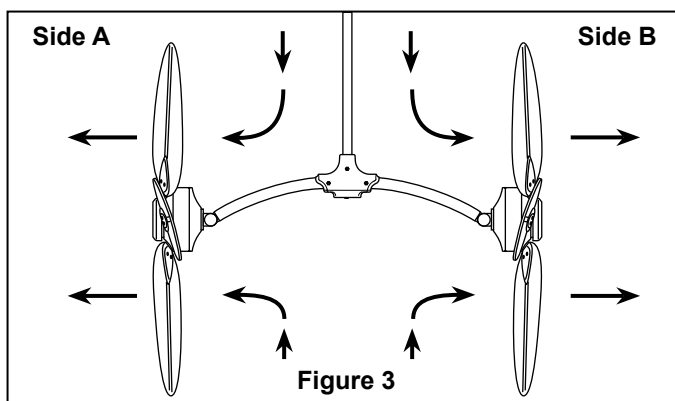
Figure 3:

Side A

Reversing Switch Setting - with Red Dot
Blade Arm Set - with White Dot

Side B

Reversing Switch Setting - with White Dot
Blade Arm Set - with Red Dot



Maintenance

Periodic cleaning of your new ceiling fan is the only maintenance that is needed.

When cleaning, use only a soft brush or lint free cloth to avoid scratching the finish.

Abrasive cleaning agents are not required and should be avoided to prevent damage to finish.

CAUTION

Do not use water when cleaning your ceiling fan. It could damage the motors or the blades and create the possibility of electrical shock.

Blade Cleaning

Periodic light dusting of the Palm Leaf and Woven Bamboo blades is recommended. A feather duster will work best.

Avoid using water, cleansers, or harsh rags, which can warp and ruin the blades.

Trouble Shooting

⚠ WARNING

For your own safety turn off power at fuse box or circuit breaker before trouble shooting your fan.

Trouble	Probable Cause	Suggested Remedy
1. FAN WILL NOT START	<ol style="list-style-type: none"> 1. Fuse or circuit breaker blown. 2. Loose power line connections to the fan, or loose switch wire connections in the switch housing. 3. Loose connection at motor assembly. 	<ol style="list-style-type: none"> 1. Check main and branch circuit fuses or circuit breakers. 2. Check line wire connections to fan and switch wire connections in the switch housings. <p>CAUTION: Make sure main power is turned off !</p> <ol style="list-style-type: none"> 3. Check that the plug between motor and support bar assembly is properly connected.
2. FAN SOUNDS NOISY	<ol style="list-style-type: none"> 1. Blades not attached to fan. 2. Loose screws in motor housing. 3. Screws securing fan blade holders to motor hub are loose. 4. Wire connectors inside housing rattling. 5. Motor noise caused by solid state variable speed control. 6. Screws holding blades to blade holders are loose. 	<ol style="list-style-type: none"> 1. Attach blades to fan before operating. 2. Check to make sure all screws in motor housing are snug (not over-tight). 3. Check to make sure the screws which attach the fan blade holders to the motor hub are tight. 4. Check to make sure wire connectors in switch housing are not rattling against each other or against the interior wall of the switch housing. <p>CAUTION: Make sure main power is turned off !</p> <ol style="list-style-type: none"> 5. Some fan motors are sensitive to signals from solid-state variable speed controls. Solid-state controls are not recommended, choose an alternative control method. 6. Tighten screws securely.
3. FAN WOBBLER EXCESSIVELY	<ol style="list-style-type: none"> 1. Housing support bolts holding the support bar are loose. 2. Bolt holding the housing support to the downrod is loose. 3. Screws securing fan blade holders to motor hub are loose. 4. Blade holders not seated properly. 5. Hanger bracket is not rigidly secured to a structural member. 6. Fan blades out of balance. 	<ol style="list-style-type: none"> 1. Tighten housing support bolts. 2. Tighten bolt holding housing support to the downrod. 3. Check to be sure screws which attach the fan blade holders to the motor hub are tight. 4. Check to be sure the fan blade holders seat firmly and uniformly to the surface of the motor hub. If holders are seated incorrectly, loosen the screws and retighten. 5. Check to see that the hanger bracket is secured to a structural member with the 5" lag bolt. The hanger bracket must be securely anchored and should not have any movement. 6. Interchanging an adjacent blade pair can redistribute the weight and result in a smoother operation. A heavy blade can also be identified by turning off the fan and seeing if one blade on one or both sides quickly drops to the down position. Trade out this blade with an adjacent blade or one of the complementary blades shipped in the blade set box.

Parts List

Model #FP7000**

Ref. #	Description	Part #
1	Hanger Bracket Assembly	AHB700020BL
2	Downrod/Hanger Ball Assembly	ADR1-24**
3	Ceiling Canopy	PG165**
4	Support Bar Assembly	AP700012**
5	Trad.Blade Holder (white dot) (set of 5)	AP5053**
6	Trad. Blade Holder, Left Side (red dot) (set of 5)	AP700014**
7	Blade Arm Cover (2 sets of 5)	AP5063**
8	Motor Assembly (2)	AMA700011**
9	Switch Cup Assembly (2)	AP700013**
10	Wall Control, 2-speed	C3-CA
11	<i>Loose Parts Bag Assembly Containing:</i> <i>Support Cable Bag Containing:</i> Ceiling Support Cable w/Cable Clamp (3) 3/8" Flat Washer 3/8" x 5" Lag Bolt (for Hanger Bracket) <i>Hardware Bag Containing:</i> 5/32"-32 x 1" Threaded Rods (2) 5/32" External Lockwasher (2) 5/32"-32 Knurled Knobs (2) Allen Wrench (5 mm) 3/8" x 2" Lag Bolt 3/16"-24 x 1/2" Motor Mounting Screw (6) 1/4"-20 x 23/16" Cap Head Screw (1) 1/4"-20 Nylon Lock Nut (1) Wire Connectors (4) <i>Blade to Motor Mounting Hardware Bag:</i> 1/4"-20 x 14mm Phillips Head Screws, with Lock Washers <i>Blade Cover Mounting Hardware Bag:</i> 3/16"-24 x 17 mm Washer-Head Screws 3/16"-24 Carriage Head Nuts Fiber Washers	HDWFP70001**

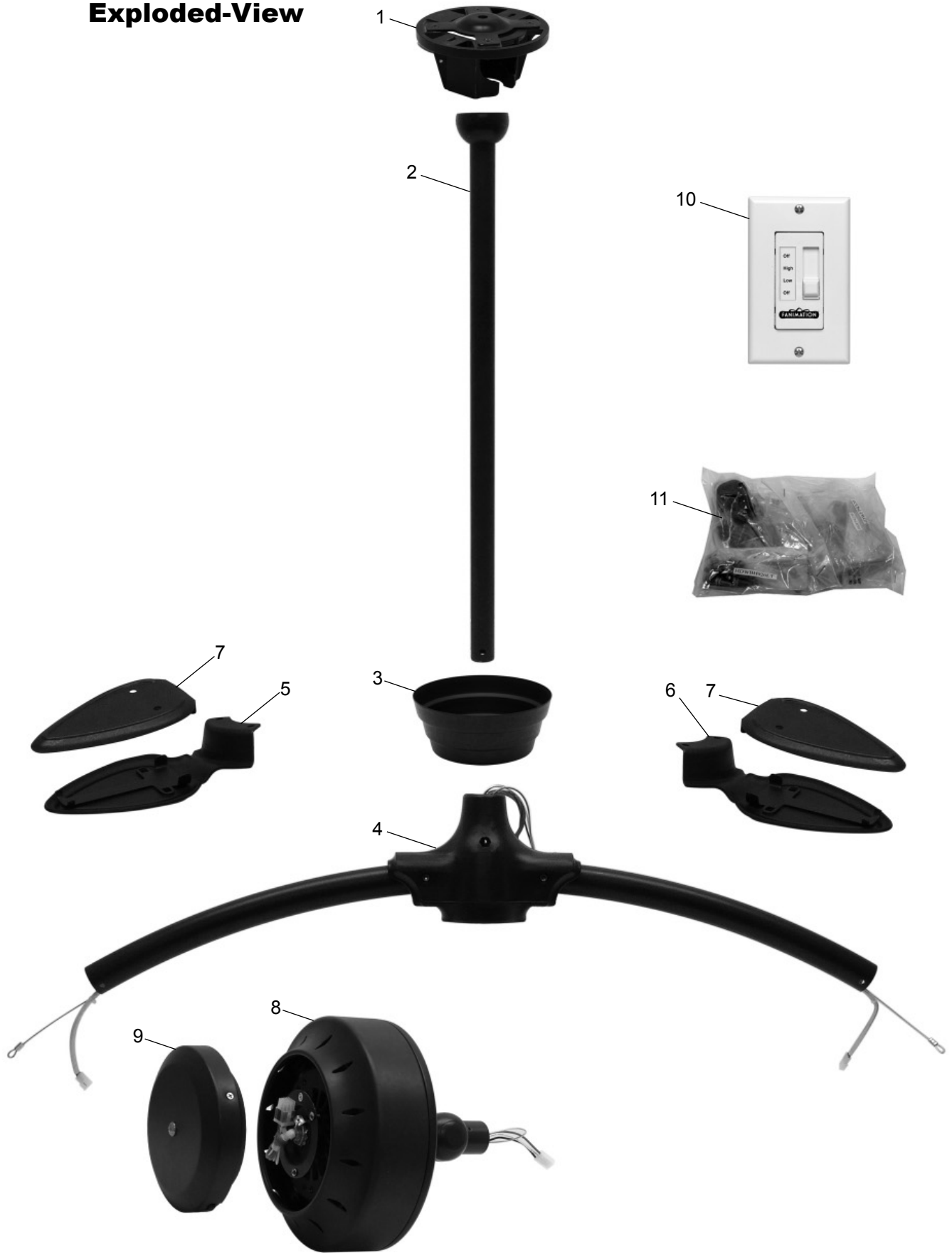
**Insert Finish Code (Refer to fan model number located on fan motor assembly)

Before discarding packaging materials, be certain all parts have been removed

How To Order Parts	
Contact your retail store for repair parts. When ordering repair parts, always give the following information.	<ul style="list-style-type: none"> • Part Number • Part Description • Fan Model Number

The Caruso® FP7000**

Exploded-View



NOTE: The illustration shown is not to scale or its actual configuration may vary, wires omitted for clarity.



**10983 Bennett Parkway
Zionsville, IN 46077**

Toll Free (888) 567-2055

FAX (866) 482-5215

Outside U.S. (317) 733-4113

Visit Our Website www.fanimation.com