


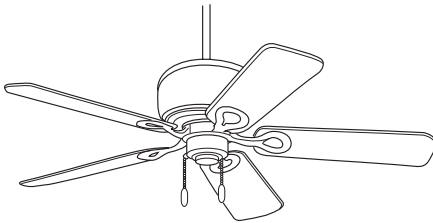
READ AND SAVE THESE INSTRUCTIONS



EMERSON[™]

WESTFIELD[™]

Wet Location
52" Ceiling Fan
Owner's Manual



Net Weight: 24.7 Lbs.

Model No.

CF680BQ00 CF680ORB00 CF680WB00

LIMITED WARRANTY

What The Warranty Covers:

This warranty covers the motor and the other components and accessories of your Emerson ceiling fan against all defects in workmanship and materials. You must be the original purchaser or user of the product to be covered.

What The Period Of Coverage Is:

As it applies to the motor, this warranty will last for ten years from the date you purchased your ceiling fan. All other components and accessories are covered by this warranty for one year from the date you purchased your ceiling fan. ANY IMPLIED WARRANTY OF MERCHANTABILITY OR FITNESS FOR A PARTICULAR PURPOSE, MADE WITH RESPECT TO COMPONENTS AND ACCESSORIES IS ALSO LIMITED TO ONE YEAR.

What Will Emerson Electric Co. Do To Correct Problems:

Emerson Electric Co. will replace a defective Emerson Air Comfort Ceiling Fan motor, blade, component or other accessory at no charge to you. If repair of the motor or blades is not practical or possible within a reasonable time and no replacement can be provided, Emerson will refund the actual purchase price of your fan. We will ship the repaired product or replacement to you at no charge, but you are responsible for all costs of removal, reinstallation and shipping of the product to Emerson Electric Co.

How Can You Get Service:

YOU MUST HAVE PROOF OF YOUR PURCHASE OF THE CEILING FAN TO OBTAIN LIMITED WARRANTY SERVICE. KEEP YOUR RECEIPT OR OTHER PROOF OF PURCHASE. You can return the product to our factory or to your nearest authorized service center.

- To return the product to the factory, obtain a return authorization and service identification tag by writing to Air Comfort Products, Division of Emerson Co., 8100 W. Florissant Ave., St. Louis, MO 63136. Include all model numbers shown on the product with your request.
- To return the product to an authorized service center, call 1-800-654-3545 for the address of the nearest authorized service center.

You will be responsible for all insurance, freight or other transportation charges to our factory or authorized service center. Your Emerson Air Comfort Ceiling Fan should be properly packed to avoid damage in transit since we will not be responsible for any such damage.

What Is Not Covered:

The glass globes and light bulbs of your ceiling fan are not covered by this warranty. This warranty also does not cover any defects, malfunctions or failures caused by:

- Repairs by persons not authorized by Emerson Electric Co.,
- Use of parts or accessories not authorized by Emerson Electric Co.,
- Mishandling, improper installation, modifications or damage to your ceiling fan while in your possession, or
- Unreasonable use, misuse, abuse, including failing to do reasonable and necessary maintenance, and normal wear and tear.

Additionally, this warranty and any implied warranty of merchantability or fitness for a particular purpose are voided when:

- The original purchaser or user ceases to own the product, or
- The fan is moved from its original point of installation.

This warranty is only valid within the 50 states of the United States and the District of Columbia. No other written or oral warranties apply, and no employee, agent, dealer or other person is authorized to give any warranties on behalf of Emerson Electric Co.

REPAIR, REPLACEMENT OR A REFUND ARE THE EXCLUSIVE REMEDIES AVAILABLE UNDER THIS WARRANTY AND EMERSON IS NOT RESPONSIBLE FOR DAMAGES OF ANY KIND, INCLUDING INCIDENTAL AND CONSEQUENTIAL DAMAGES. Incidental damages include but are not limited to such damages as loss of time and loss of use. Consequential damages include but are not limited to the cost of repairing or replacing other property which was damaged if this product does not work properly.

How State Law Relates To The Warranty:

Some states do not allow the exclusion or limitation of incidental or consequential damages so the above exclusion or limitation may not apply to you. This warranty gives you specific legal rights, and you may also have other rights which vary from state to state.

Part No. F40BP73050001

Form No. BP7305-1
U.L. Model No.: CF680

 **WARNING**

WARNING: To avoid fire, shock, and serious personal injury, follow these instructions.

Safety Instructions

1. Read your owner's manual carefully and keep it for future reference.
2. Before servicing or cleaning unit, switch power off at service panel and lock service panel disconnecting means to prevent power from being switched on accidentally. When the service disconnecting means cannot be locked, securely fasten a warning device, such as a tag, to the service panel.
3. Be careful of the fan and blades when cleaning, painting, or working near the fan. Always turn off the power to the ceiling fan before servicing.
4. Do not put anything into the fan blades while they are turning.
5. Do not operate reversing switch until fan blades have come to a complete stop.

Additional Safety Instructions for Installation

1. To avoid possible shock, be sure electricity is turned off at the fuse box before wiring, and do not operate fan without blades.
2. The installation is to be in accordance with the National Electrical Code, ANSI/NFPA 70-1999 and Local Codes. Use the National Electrical Code if Local Codes do not exist. The ceiling fan must be grounded as a precaution against possible electrical shock. Electrical installation should be made or approved by a licensed electrician.
3. The outlet box and joist must be securely mounted and capable of reliably supporting at least 50 pounds. Use only U.L. outlet boxes listed as "Acceptable for Fan Support", and use the mounting screws provided with the outlet box. Most outlet boxes commonly used for support of light fixtures are not acceptable for fan support and may need to be replaced. Consult a qualified electrician if in doubt.
4. The downrod furnished with the fan provides the minimum recommended floor to fan blade clearance for an 8 foot ceiling.
5. The fan must be mounted with the fan blades at least 7 feet from the floor to prevent accidental contact with the fan blades.
6. Follow the recommended instructions for the proper method of wiring your ceiling fan. If you do not know enough about electrical wiring, have your fan installed by a licensed electrician.

NOTE: This fan is suitable for use with solid-state speed controls.

WARNING: This product is designed to use only those parts supplied with this product and/or any accessories designated specifically for use with this product by Emerson Electric Co. Substitution of parts or accessories not designated for use with this product by Emerson Electric Co. could result in personal injury or property damage.

WARNING: To reduce the risk of personal injury, do not bend the blade flange when installing the blade flanges, balancing the blades or cleaning the fan. Do not insert foreign objects in between rotating fan blades.

WARNING: To reduce the risk of electrical shock, this fan must be installed with an isolating wall control/switch.

DATE CODE:

The date code of this fan may be found on the box, stamped in ink on a white label. You should record this data above and keep it in a safe place for future use.

**THIS FAN IS SUITABLE FOR WET LOCATIONS SUCH AS
PORCHES, PATIOS, AND DECKS.**

**This Manual is Designed to Make it as Easy as Possible for You to
Assemble, Install, Operate and Maintain Your Ceiling Fan**

Tools Needed for Assembly

One Phillips head screwdriver
One wire stripper
One stepladder
Five wire connector (supplied)
Four 7-watt (max.) candelabra bulbs

Installed Wire Length	Wire Size A.W.G.
Up to 50 ft.	14
50-100 ft.	12

Materials

Wiring, outlet box and box connectors must be of type required by the local code. The minimum wire would be a 3-conductor (2-wire with ground) of the following sizes:

⚠ WARNING

Before assembling your ceiling fan, refer to section on proper method of wiring your fan (page 10). If you feel you do not have enough wiring knowledge or experience, have your fan installed by a licensed electrician.

Unpacking Instructions

For your convenience, check-off boxes are provided next to each step. As each step is completed, place a check mark in the box. This will insure that all steps have been completed and will be helpful in finding your place should you be interrupted.

⚠ WARNING

Do not install or use fan if any part is damaged or missing. Call Toll-Free:

1-800-654-3545

NOTE: If you are uncertain of part description, refer to exploded view illustration.

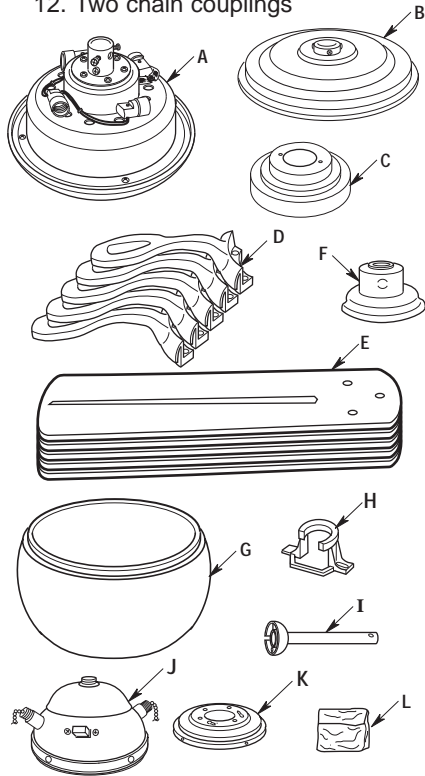
- a. Fan motor and housing assembly
- b. One upper housing
- c. One ceiling cover
- d. Four blade flanges
- e. Four fan blades
- f. One upper housing cover
- g. One center glass
- h. One hanger bracket
- i. One hanger ball/downrod assembly
- j. One switch cup assembly
- k. One switch cup adapter

⚠ WARNING

This product is designed to use only those parts supplied with this product and/or any accessories designated specifically for use with this product by Emerson Electric Co. Substitution of parts or accessories not designated for use with this product by Emerson Electric Co. could result in personal injury or property damage.

1. Open styrofoam unit containing fan. Remove top half of styrofoam unit. Remove parts and check to see that you have received the following parts:

- I. One loose parts bag containing:
 1. Two 8-32 x 1-1/4" threaded studs
 2. Two knurled knobs
 3. Two lockwashers
 4. Five wire connectors
 5. One clevis pin/hairpin clip assembly
 6. Eleven 1/4-20 x 1/2" oval head screws
 7. Sixteen 10-32 x .30" pan head screws
 8. Sixteen #10 flat washers
 9. Four 8-32 x 1/4" pan head screws
 10. One pendant (large)
 11. One pendant (small)
 12. Two chain couplings



NOTE: Place the parts from the loose parts bags in a small container to keep them from being lost.

- 2. Remove the fan motor and housing assembly from the protective plastic bag. Place the fan assembly into the lower foam pad with the bottom of the motor facing up.

The lower foam pad serves as a holder for the fan during the first stages of assembly.

Electrical Requirements

Your new ceiling fan will require a grounded electrical supply line of 120 volts AC, 60 Hz, 15 amp circuit.

The outlet box must be securely anchored and capable of withstanding a load of at least 50 pounds.

⚠ WARNING

To reduce the risk of fire, electric shock, or personal injury, mount fan to outlet box marked "Acceptable for Fan Support", and use screws supplied with outlet box. Most outlet boxes commonly used for support of light fixtures are not acceptable for fan support and may need to be replaced. Consult a qualified electrician if in doubt.

If your fan is to replace an existing ceiling light fixture, turn electricity off at the main fuse or circuit breaker box at this time and remove the existing light fixture.

⚠ WARNING

Turning off wall switch is not sufficient. To avoid possible electrical shock, be sure electricity is turned off at the main fuse or circuit breaker box before wiring. All wiring must be in accordance with National and Local codes and the ceiling fan must be properly grounded as a precaution against possible electrical shock.

How to Assemble Your Ceiling Fan

⚠ WARNING

Turning off wall switch is not sufficient. To avoid possible electrical shock, be sure electricity is turned off at the main fuse or circuit breaker box before wiring. All wiring must be in accordance with National and Local codes and the ceiling fan must be properly grounded as a precaution against possible electrical shock.

IMPORTANT: The side of the fan blade having the rib line **MUST** be facing upward as shown in Figure 1.

- 1. Mount the fan blades to the blade flanges using three 10-32 x .30" pan head screws and three flat washers (screws and washers supplied) (Figure 1).

⚠ WARNING

To reduce the risk of personal injury, do not bend the blade flange when installing the blade flanges, balancing the blades or cleaning the fan. Do not insert foreign objects in between rotating fan blades.

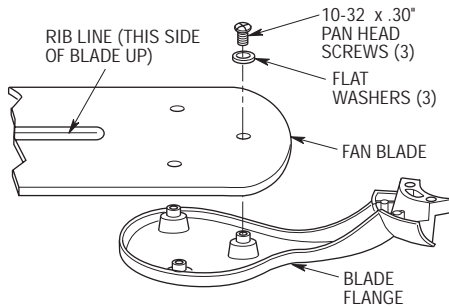


Figure 1

- 2. Remove and discard the four shipping retainers securing the motor hub in the motor housing.

NOTE: Take care not to scratch the fan housing when installing the blade assemblies.

- 3. Insert an 1/4-20 x 1/2" oval head screw (supplied) into each of the two recessed holes in one of the blade flanges.

⚠ WARNING

To reduce the risk of personal injury, do not bend the blade flanges when installing the flanges, balancing the blades or cleaning the fan. Do not insert foreign objects between rotating fan blades.

- 4. Position the blade flange on the motor hub so that the screws in the blades flange align with two threaded holes in the motor hub (Figure 2). Loosely tighten the screws at this time. Repeat this procedure for the remaining four blade assemblies.

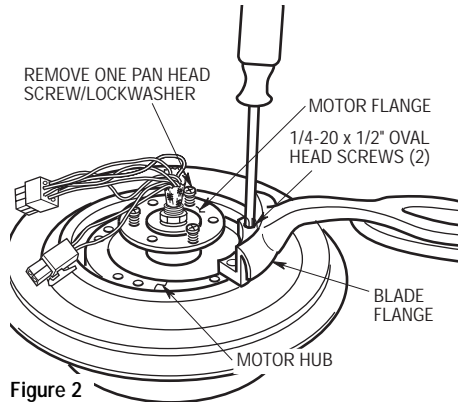


Figure 2

- 5. Gently snug all flange screws to the motor hub, working around the hub in a clockwise sequence. Next, securely tighten all flange screws, again working in a clockwise sequence. Failure to follow this procedure could result in fan wobble. This completes the blade installation.

- 6. Remove and retain one of the three pan head screw/lockwashers from the motor flange (Figure 2); loosen the other two pan head screws three or four turns.
- 7. Position the switch cup adapter on the motor flange so that the two screws mate with the two keyhole slots in the switch cup adapter (Figure 2).

NOTE: Make sure that the lockwashers are positioned between the screw head and the switch cup adapter.

- 8. Turn the switch cup adapter clockwise and tighten both screws (Figure 3). Reinstall the other pan head screw/lockwasher in the remaining hole in the switch cup adapter.

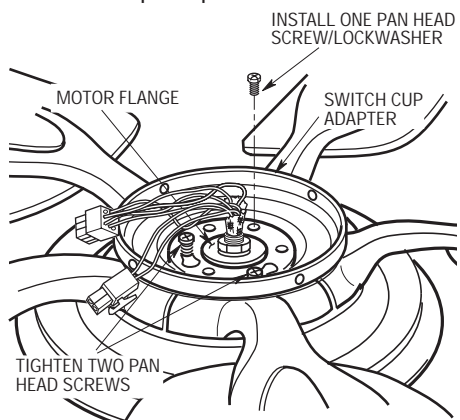


Figure 3

- 9. Carefully rest the switch cup assembly on the fan blades, then engage the large (9-pin) connector of the switch cup assembly with the large motor connector (Figure 4). Connect the small (2-pin) connector of the switch cup assembly with the small motor connector. The two connectors are keyed and color-coded and must be mated correctly (color-to-color) before they can be engaged. Make sure the latches are engaged properly.

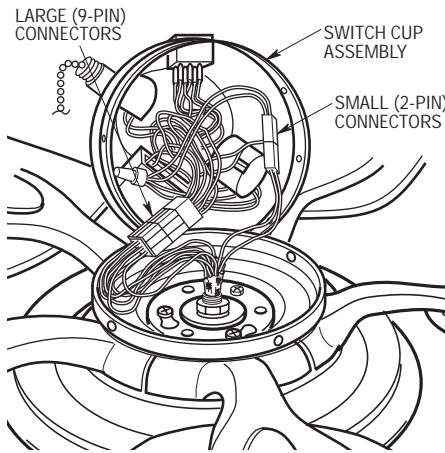


Figure 4

- 10. Position the switch cup assembly on the switch cup adapter. Line up the three holes in the switch cup with the threaded holes in the switch cup adapter and install four 8-32 x 1/4" pan head screws (supplied) (Figure 5).

CAUTION: Before installing and tightening the screws, be sure there are no wires pinched between the switch cup adapter and switch cup assembly.

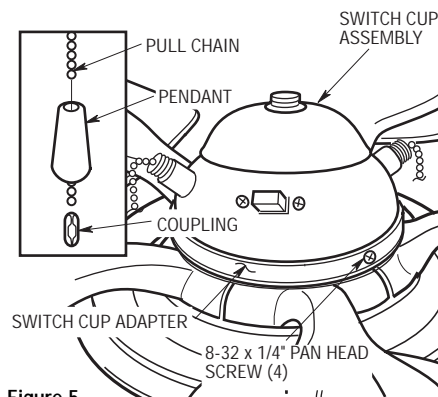


Figure 5

- 11. Slip the longest pull chain through the hole in the large pendant (supplied) (Figure 5). Then secure the pendant by snapping the coupling (supplied) onto the end of the chain. Secure the small pendant (supplied) to the short chain in the same manner as above.
- 12. Carefully place the partially assembled ceiling fan on the lower styrofoam pad, with the switch cup assembly positioned in the opening and the blade assemblies resting on the outer rim of the styrofoam pad.
- 13. Remove the hanger ball by loosening the setscrew in the hanger ball until the ball falls freely down the downrod (Figure 6). Remove the pin from the downrod, then remove the hanger ball. Retain the pin and hanger ball for reinstallation in step 20.

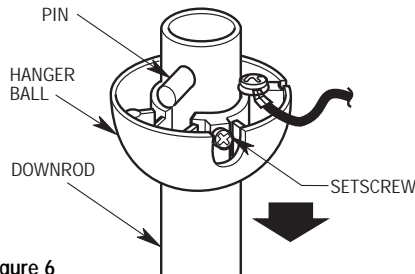


Figure 6

- 14. Unscrew the two upper setscrews (Figure 7) until they clear the inside of the motor coupling. Then separate, untwist and unkink the three 80" motor leads. Route the motor lead wires through the downrod. Align the clevis pin holes in the downrod with the holes in the motor coupling. Install the clevis pin and secure with the hairpin clip (Figure 7). The clevis pin must go through the holes in the motor coupling and the holes in the downrod. Be sure to push the straight leg of the hairpin clip through the hole near the end of the clevis pin until the curved portion of the hairpin clip snaps around the clevis pin.

The hairpin clip must be properly installed to prevent the clevis pin from working loose. Pull up on the downrod to make sure the clevis pin is properly installed.

⚠ WARNING

It is critical that the clevis pin in the motor coupling is properly installed and the setscrews securely tightened. Failure to verify that the pin and setscrews are properly installed (as shown in Figure 7) could result in the fan falling.

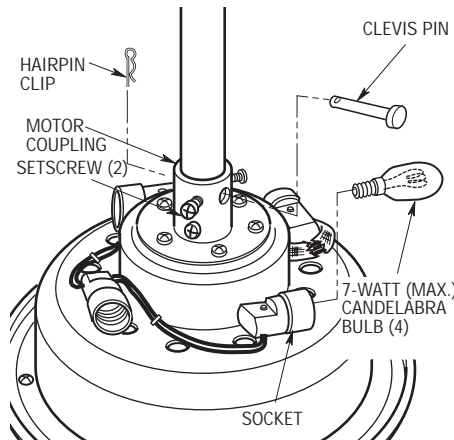


Figure 7

- 15. Tighten the two upper setscrews (Figure 7) securely while pulling up on the downrod.

NOTE: The setscrews must be properly installed as described above, or fan wobble could result.

- 16. Install four 7-watt (maximum) candelabra bulbs (not supplied) in the sockets on top of the motor housing (Figure 7).
- 17. Place the center glass on the rim of the fan motor and housing assembly; make sure the center glass is seated evenly in the housing flange (Figure 8).

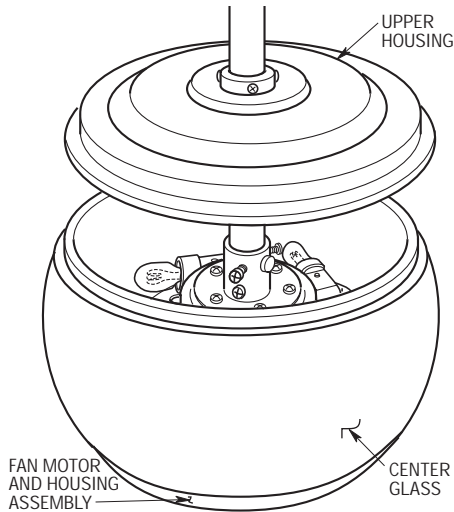


Figure 8

- 18. Slide the upper housing over the downrod until it rests on the center glass (Figure 8). Make sure the upper housing is seated firmly on the rim of the center glass, then tighten the three setscrews in the upper housing collar (Figure 9).
- 19. Make sure the grommet is properly installed in the upper housing cover, then slide the cover over the downrod until it rests on the upper housing (Figure 9).

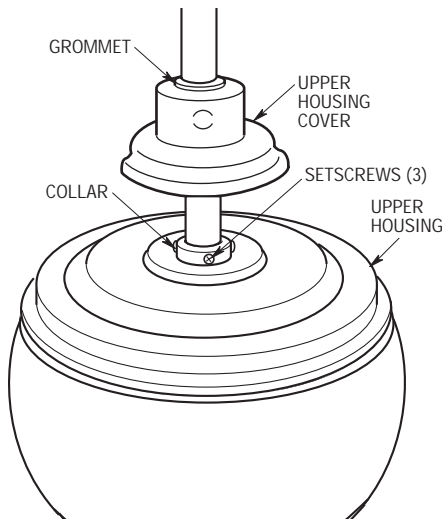


Figure 9

⚠ WARNING

It is critical that the pin in the hanger ball is properly installed and the setscrew securely tightened. Failure to verify that the pin and setscrew are properly installed could result in the fan falling.

- 20. Place the ceiling cover over the downrod. Then reinstall the hanger ball (Figure 10) on the downrod as follows. Route the three 80" motor leads through the hanger ball and slide the hanger ball over the downrod. Position the pin through the two holes in the downrod and align the hanger ball so the pin is captured in the groove in the top of the hanger ball. Pull the hanger ball up tight against the pin and securely tighten the setscrew in the hanger ball. A loose setscrew could create fan wobble.

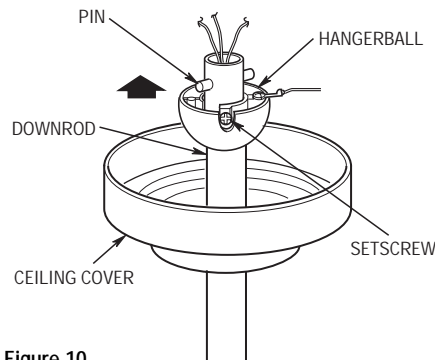


Figure 10

- 21. The fan comes with blue, black and white leads that are 80" long. Before installing the fan, measure up approximately 6 to 9-inches above top of hanger ball/downrod assembly. Cut off excess leads and strip back insulation 1/2" from end of leads.
- 22. You have now completed the initial assembly of your new ceiling fan. You can now proceed with hanging and wiring your fan.

How to Hang Your Ceiling Fan

⚠ WARNING
 The fan must be hung with at least 7' of clearance from floor to blades (Figure 11).

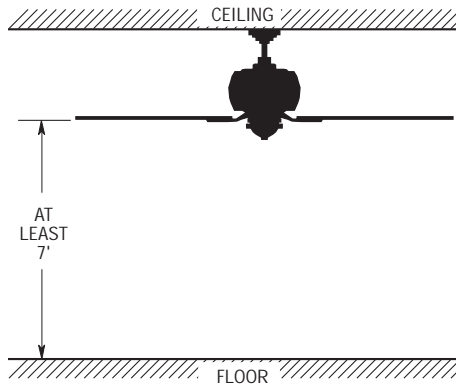


Figure 11

⚠ WARNING
 The outlet box and joist must be securely mounted and capable of supporting at least 50 lbs. Use only a U.L. outlet box listed as "Acceptable for Fan Support".

⚠ WARNING
 To reduce the risk of fire, electric shock, or personal injury, mount fan to outlet box marked "Acceptable for Fan Support", and use screws supplied with outlet box. Most outlet boxes commonly used for support of light fixtures are not acceptable for fan support and may need to be replaced. Consult a qualified electrician if in doubt.

- 1. Securely attach the hanger bracket to the outlet box using the two screws supplied with the outlet box (Figure 12).

⚠ WARNING
 Hanger bracket must seat firmly against outlet box. If the outlet box is recessed, remove wall board until bracket contacts box. If bracket and/or outlet box are not securely attached, the fan could wobble or fall.

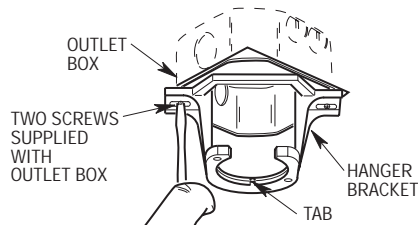


Figure 12

- 2. Carefully lift the fan and seat the hanger ball/downrod assembly on the hanger bracket that was just attached to the outlet box (Figure 13). Be sure the groove in the ball is lined up with the tab on the hanger bracket (Figure 12).

⚠ WARNING
 Failure to seat tab in groove could cause damage to electrical wires and possible shock or fire hazard.

NOTE: CEILING COVER, SUPPLY WIRES AND FAN WIRES OMITTED FOR CLARITY.

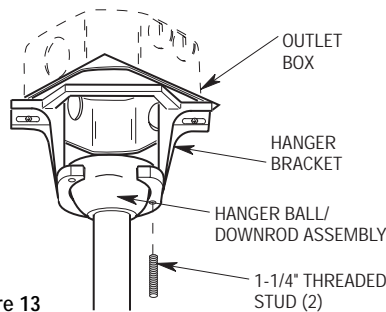


Figure 13

⚠ WARNING
 To avoid possible fire or shock, do not pinch wires between the hanger ball/downrod assembly and hanger bracket.

How to Wire Your Ceiling Fan

If you feel that you do not have enough electrical wiring knowledge or experience, have your fan installed by a licensed electrician.

WARNING

Turning off wall switch is not sufficient. To avoid possible electrical shock, be sure electricity is turned off at the main fuse or circuit breaker box before wiring. All wiring must be in accordance with National and Local codes and the ceiling fan must be properly grounded as a precaution against possible electrical shock.

CAUTION: To reduce the risk of electrical shock, disconnect the electrical supply circuit before installing the fan, light kit or receiver.

1. If you are going to use an optional Emerson Remote Control/Receiver or Wall Control/Receiver to operate your ceiling fan, wire your fan in accordance with the Control/Receiver Owner's Manual. After wiring, return to step 4.

2. If you are going to control your fan using two wall switches or optional Emerson fan/light controls, you will need a three-wire (with ground) conductor cable between the ceiling and wall outlet boxes. This will allow you to operate the fan housing lights and an optional Emerson Light Fixture (if installed) from one switch/control and the ceiling fan from a separate switch. Refer to Figure 14 and proceed as follows:

- a. Connect the green grounding lead from the hanger ball and the green grounding lead from the hanger bracket to the supply grounding conductor (this may be a bare wire or wire with green colored insulation). Securely connect wires with a wire connector (supplied).
- b. Securely connect the fan motor white wire to the supply white (neutral) wire using a wire connector (supplied).
- c. Securely connect the fan motor black wire to the supply black (hot) wire using a wire connector (supplied).
- d. Securely connect the fan motor blue wire to the supply red (hot) wire using a wire connector (supplied).
- e. After connections have been made, separate the white and green wires from the black, blue and red wires.
- f. Carefully turn the wires upward and insert them up through the open side of the hanger bracket and into the outlet box. Push the green and white wires into one side of the outlet box; push the black, blue and red wires into the other side of the outlet box.

WARNING

Check to see that all connections are tight, including ground, and that no bare wire is visible at the wire connectors, except for the ground wire. Do not operate fan until blades are in place. Noise and fan damage could result.

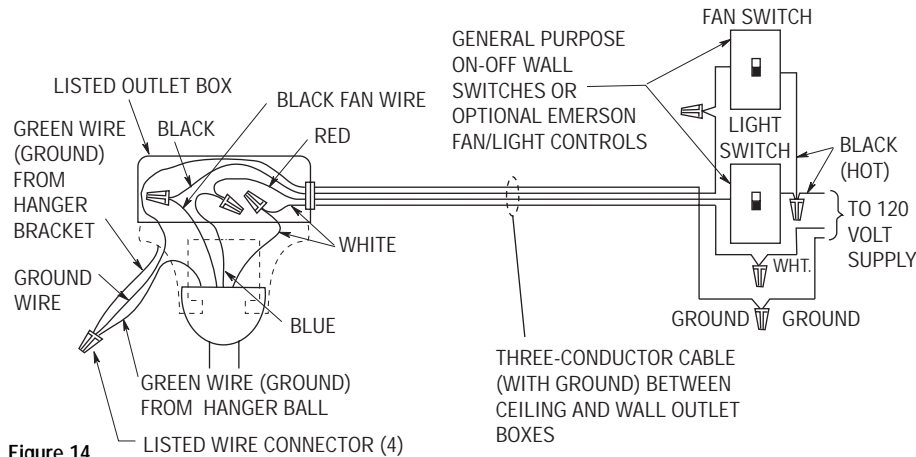


Figure 14

3. If you are going to use a single wall switch or optional Emerson fan control to control your ceiling fan, housing lights, and optional Emerson Light Fixture (if installed) simultaneously, you will need a standard two-wire (with ground) conductor cable between the ceiling and wall outlet boxes. The fan speed and the housing lights can then be operated from the pull chain switches in the switch cup housing (or by an optional Emerson fan control); the optional light fixture can be operated from the light fixture switch. Refer to Figure 15 and proceed as follows:

- a. Connect the green grounding lead from the hanger ball and the green grounding lead from the hanger bracket to the supply grounding conductor (this may be a bare wire or wire with green colored insulation). Securely connect wires with a wire connector (supplied).
- b. Securely connect the fan motor white wire to the supply white

(neutral) wire using a wire connector (supplied).

- c. Securely connect the fan motor black wire and blue wire to the supply black (hot) wire using a wire connector (supplied).
- d. After connections have been made, separate the white and green wires from the black and blue wires.
- e. Carefully turn the wires upward and insert them up through the open side of the hanger bracket and into the outlet box. Push the green and white wires into one side of the outlet box; push the black and blue wires into the other side of the outlet box.

⚠ WARNING

Check to see that all connections are tight, including ground, and that no bare wire is visible at the wire connectors, except for the ground wire. Do not operate fan until blades are in place. Noise and fan damage could result.

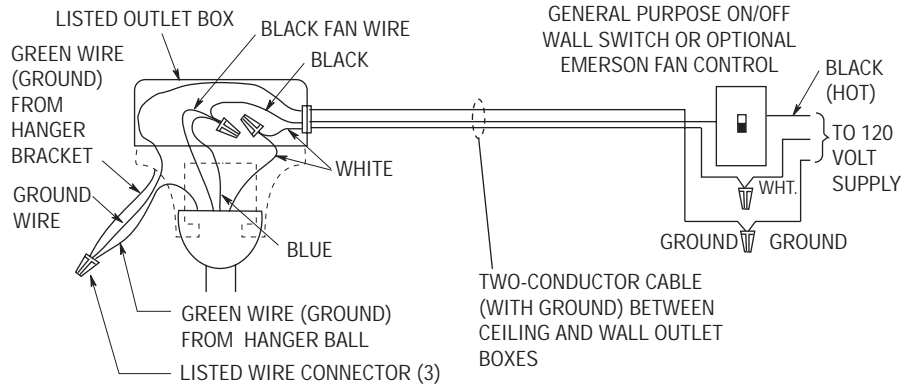


Figure 15

- 4. Screw the two 1-1/4" threaded studs (supplied) into the tapped holes in the hanger bracket (Figure 13).
- 5. Lift the ceiling cover up to the threaded studs and turn until the studs protrude through the holes in the ceiling cover (Figure 16).
- 6. Secure the ceiling cover in place by sliding lockwashers (supplied) over the threaded studs and installing the two knurled knobs (supplied) (Figure 16). Tighten the knurled knobs securely until the ceiling cover fits snugly against the ceiling.
- 7. Your ceiling fan is now installed, wired and ready for use.

⚠ WARNING

To avoid possible fire or shock, make sure that the electrical wires are completely inside the outlet box and not pinched between the ceiling cover and the ceiling.

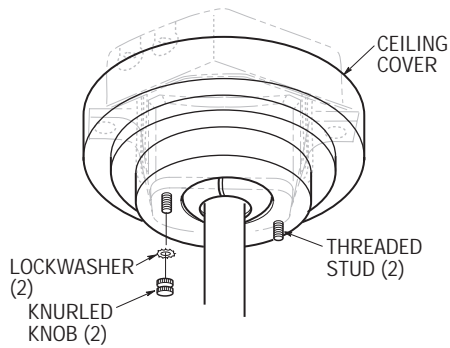


Figure 16

Using Your Ceiling Fan

- 1. Restore electrical power to the outlet box by turning the electricity on at the main fuse or circuit breaker box.
- 2. Check the operation of the fan by gently pulling on the 4-position speed control switch pull chain (large pendant) (Figure 17). The operating sequence is as follows:

THREE-SPEED

- 1st Pull—HIGH
- 2nd Pull—Medium
- 3rd Pull—Low
- 4th Pull—OFF

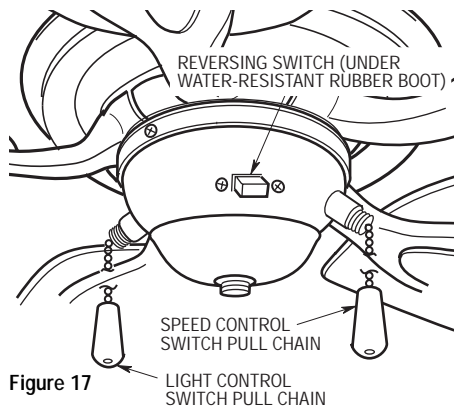


Figure 17

- 3. If airflow is desired in the opposite direction, turn your fan off and wait for the blades to stop turning. Then slide the reversing switch (located under the rubber boot) to the opposite position (Figure 17), and turn the fan on again. The fan blades will turn in the opposite direction and reverse the airflow.
- 4. Turn the housing lights on/off by gently pulling on the light control switch pull chain (small pendant) (Figure 17).

Replacing Light Bulbs

To replace a burned out light bulb, raise the upper housing cover on the downrod up to the ceiling cover (Figure 18). Loosen the setscrews in the upper housing collar, then raise the cover and remove the defective bulb from the socket. Screw in the replacement 7-watt (maximum) candelabra base bulb and lower the upper housing cover. Tighten the setscrews securely and slide the upper housing cover down the downrod.

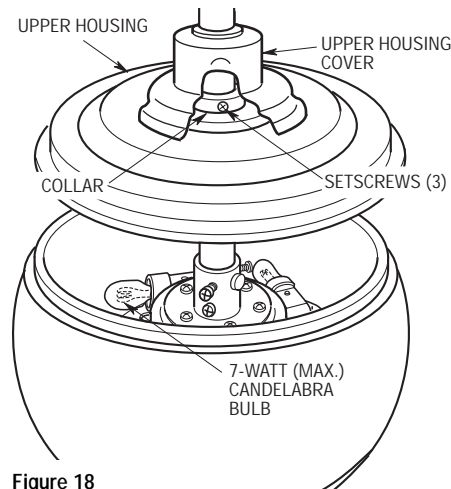


Figure 18

Attaching Light Kit

CAUTION: To reduce the risk of electrical shock, disconnect the electrical supply circuit before installing the fan and optional light kit and/or remote control receiver.

To install an optional Emerson light kit, remove the four screws securing the switch cup assembly to the switch cup adapter. Remove the threaded plug from the switch cup and install the light kit in accordance with the light kit Owner's Manual.

⚠ WARNING

To avoid possible electrical shock, be sure electricity is turned off at the main service box before wiring.

Maintenance

IMPORTANT CARE INSTRUCTIONS for your Ceiling Fan

Periodic cleaning of your new ceiling fan is the only maintenance that is needed.

When cleaning, use only a soft brush or lint free cloth to avoid scratching the finish.

Abrasive cleaning agents are not required and should be avoided to prevent damage to finish.

! WARNING
Do not use water when cleaning your ceiling fan. It could damage the motor or the blades and create the possibility of an electrical shock.

Accessories

- 1. Ceiling Fan Light Kits (see store or catalog).
- 2. Downrod Extension Kits (see store or catalog).
- 3. Ceiling Fan/Light Controls (see store or catalog).

! WARNING
The use of any other control not specifically approved for this fan could result in fire, shock and personal injury.

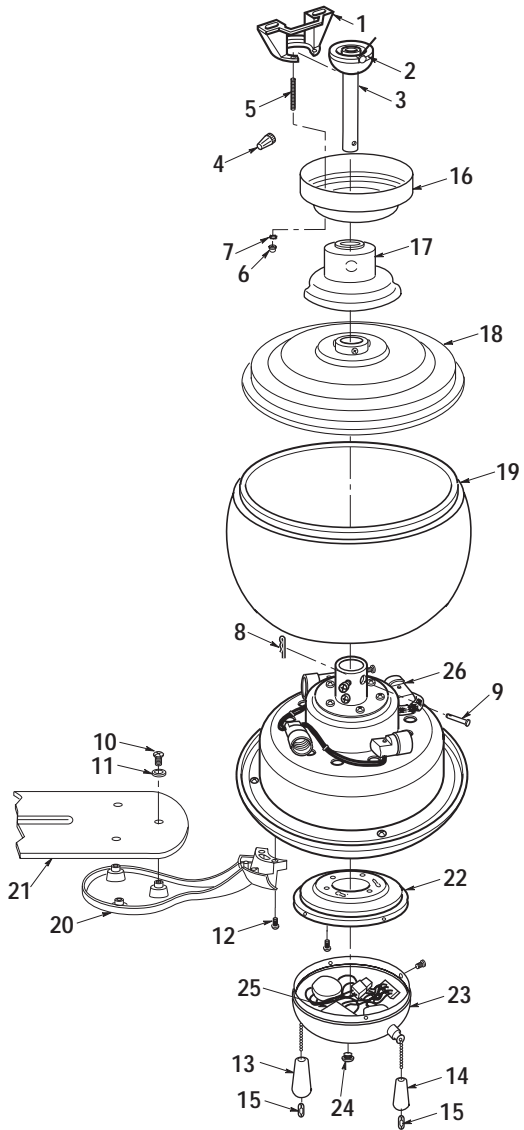
! WARNING
This product is designed to use only those parts supplied with this product and/or any accessories designated specifically for use with this product by Emerson Electric Co. Substitution of parts or accessories not designated for use with this product by Emerson Electric Co. could result in personal injury or property damage.

⚠ WARNING: FOR YOUR OWN SAFETY TURN OFF POWER AT FUSE BOX OR CIRCUIT BREAKER BEFORE TROUBLE SHOOTING YOUR FAN.

Trouble Shooting

TROUBLE	PROBABLE CAUSE	SUGGESTED REMEDY
1. Fan will not start.	<ol style="list-style-type: none"> 1. Fuse or circuit breaker blown. 2. Loose power line connections to the fan, or loose switch wire connections in the switch cup. 	<ol style="list-style-type: none"> 1. Check main and branch circuit fuses or circuit breakers. 2. Check power line connections to fan, and switch wire connections in the switch cup. <p>⚠ WARNING: Make sure main power is turned off.</p>
2. Fan sounds noisy.	<ol style="list-style-type: none"> 1. Blades not attached to fan. 2. Screws securing fan blade flanges to motor are loose. 3. Wire connectors inside switch cup rattling. 4. Screws holding blades to flanges are loose. 5. Loose screws in motor housing. 	<ol style="list-style-type: none"> 1. Attach blades to fan before operating. 2. Check to make sure the screws which attach the blade flanges to the motor are tight. 3. Check to make sure wire connectors in switch cup are not rattling against each other or against the interior wall of the switch cup. <p>⚠ WARNING: Make sure main power is turned off.</p> <ol style="list-style-type: none"> 4. Tighten screws securely. 5. Check to make sure all screws in motor housing are snug (not over-tight).
3. Fan wobbles excessively.	<ol style="list-style-type: none"> 1. Setscrews in motor coupling are not tightened securely. 2. Setscrew in the hanger ball/downrod assembly is loose. 3. Screws securing fan blade flanges to motor are loose. 4. Fan blade flanges not seated properly. 5. Hanger bracket and/or ceiling outlet box is not securely fastened. 6. Fan blades out of balance. 	<ol style="list-style-type: none"> 1. Raise upper housing cover and upper housing, then tighten setscrews securely. 2. Tighten the setscrew in the hanger ball/downrod assembly. 3. Check to be sure screws which attach the fan blade flanges to the motor are tight. 4. Check to be sure that the fan blade flanges seat firmly and uniformly to the surface of the motor. If flanges are seated incorrectly, loosen the flange screws and retighten according to Step 5 and Figure 2. 5. Tighten the hanger bracket screws to the outlet box, and/or secure outlet box. 6. Interchanging an adjacent (side-by-side) blade pair can redistribute the weight and result in smoother operation. Or use supplied balancing kit to balance blades.

Repair Parts



Before discarding packaging material, be certain all parts have been removed.

HOW TO ORDER REPAIR PARTS

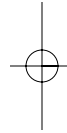
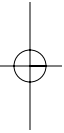
WHEN ORDERING REPAIR PARTS, ALWAYS GIVE THE FOLLOWING INFORMATION:

- PART NUMBER
- NAME OF ITEM
- PART DESCRIPTION
- MODEL NUMBER

The model number of your Fan will be found on a label attached to the top housing. For repair parts, phone 1-800-654-3545.

Repair Parts Listing

Key No.	Description	Part Numbers		
		Model No. CF680BQ00	Model No. CF680ORB00	Model No. CF680WB00
*	Hanger Pack, Consisting of:	761655-49	761655-50	761655-48
1	Hanger Bracket	—	—	—
2	Hanger Ball	—	—	—
3	Downrod	—	—	—
*	Parts Bag, Containing:	762952	762952	762952
4	Wire Connector (5)	—	—	—
5	Threaded Stud 8-32 x 1/14" (2)	—	—	—
6	Knurled Knob (2)	—	—	—
7	Lockwasher (2)	—	—	—
8	Hairpin Clip	—	—	—
9	Clevis Pin	—	—	—
10	Screw, Pan Head 10-32 x .30" (16)	—	—	—
11	Washer, Flat (16)	—	—	—
12	Screw, Oval Head 1/4-20 x 1/2" (11)	—	—	—
13	Pendant, Large	—	—	—
14	Pendant, Small	—	—	—
15	Coupling, Chain (2)	—	—	—
16	Cover, Ceiling	762649-BQ	762649-ORB	762649-WB
17	Cover, Upper Housing	762940-BQ	762940-ORB	762940-WB
18	Housing, Upper	762941-BQ	762941-ORB	762941-WB
19	Glass, Center	762942	762942	762942
20	Flange Set (full set for one fan)	762945-BQ	762945-ORB	762945-WB
21	Blade Set (full set for one fan)	762947	762947	762947
22	Adapter, Switch Cup	762949	762949	762949
23	Cup Assembly, Switch	762950-BQ	762950-ORB	762950-WB
24	Nut, Finial	762951-BQ	762951-ORB	762951-WB
25	Harness, Electrical	762953	762953	762953
26	Harness, Housing Lights	762954	762954	762954
—	Owner's Manual	BP7305	BP7305	BP7305



EMERSON[™]
Air Comfort Products
DIVISION OF EMERSON ELECTRIC CO.
8100 W. Florissant • St. Louis, MO 63136

Part No. F40BP73050001

Printed in China 07/07

Form No. BP7305-1

