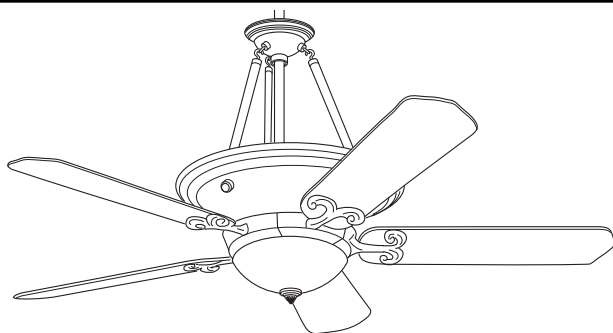


READ AND SAVE THESE INSTRUCTIONS



Raphael Model No.

CF2605PW00
CF2605WB00

RAPHAEL™

RAPHAEL™ TIFFANY

Raphael Tiffany Model No.

CF2680WB00



52" Ceiling Fan
Owner's Manual

Net Weight: 29.5 Lbs.

LIMITED WARRANTY

What The Warranty Covers:

This warranty covers the motor and the other components and accessories of your Emerson Electric Co. ceiling fan against all defects in workmanship and materials. You must be the original purchaser or user of the product to be covered.

What The Period Of Coverage Is:

As it applies to the motor, this warranty will last for a lifetime from the date you purchased your ceiling fan. All other components and accessories are covered by this warranty for one year from the date you purchased your ceiling fan. ANY IMPLIED WARRANTY OF MERCHANTABILITY OR FITNESS FOR A PARTICULAR PURPOSE, MADE WITH RESPECT TO COMPONENTS AND ACCESSORIES IS ALSO LIMITED TO ONE YEAR.

What Will Emerson Electric Co. Do To Correct Problems:

Emerson Electric Co. will replace a defective Emerson Air Comfort Ceiling Fan motor, blade, component or other accessory at no charge to you. If repair of the motor or blades is not practical or possible within a reasonable time and no replacement can be provided, Emerson Electric Co. will refund the actual purchase price of your fan. **WE WILL SHIP THE REPAIRED PRODUCT OR REPLACEMENT TO YOU AT NO CHARGE, BUT YOU ARE RESPONSIBLE FOR ALL COSTS OF REMOVAL, REINSTALLATION AND SHIPPING OF THE PRODUCT TO EMERSON.**

How Can You Get Service:

YOU MUST HAVE PROOF OF YOUR PURCHASE OF THE CEILING FAN TO OBTAIN LIMITED WARRANTY SERVICE. KEEP YOUR RECEIPT OR OTHER PROOF OF PURCHASE. You can return the product to our factory or to your nearest authorized service center.

- To return the product to the factory, obtain a return authorization and service identification tag by writing to Air Comfort Products, Division of Emerson Electric Co., 8100 W. Florissant Ave., St. Louis, MO 63136. Include all model numbers shown on the product with your request.
- To return the product to an authorized service center, call 1-800-654-3545 for the address of the nearest authorized service center.

You will be responsible for all insurance, freight or other transportation charges to our factory or authorized service center. Your Emerson Air Comfort Ceiling Fan should be properly packed to avoid damage in transit since we will not be responsible for any such damage.

What Is Not Covered:

The glass globes and light bulbs of your ceiling fan are not covered by this warranty. This warranty also does not cover any defects, malfunctions or failures caused by:

- Repairs by persons not authorized by Emerson Electric Co.,
- Use of parts or accessories not authorized by Emerson Electric Co.,
- Mishandling, improper installation, modifications or damage to your ceiling fan while in your possession, or
- Unreasonable use, misuse, abuse, including failing to do reasonable and necessary maintenance, and normal wear and tear.

Additionally, this warranty and any implied warranty of merchantability or fitness for a particular purpose are voided when:

- The original purchaser or user ceases to own the product, or
- The fan is moved from its original point of installation.

This warranty is only valid within the 50 states of the United States and the District of Columbia. No other written or oral warranties apply, and no employee, agent, dealer or other person is authorized to give any warranties on behalf of Emerson Electric Co.

REPAIR, REPLACEMENT OR A REFUND ARE THE EXCLUSIVE REMEDIES AVAILABLE UNDER THIS WARRANTY AND EMERSON ELECTRIC CO. IS NOT RESPONSIBLE FOR DAMAGES OF ANY KIND, INCLUDING INCIDENTAL AND CONSEQUENTIAL DAMAGES. Incidental damages include but are not limited to such damages as loss of time and loss of use. Consequential damages include but are not limited to the cost of repairing or replacing other property which was damaged if this product does not work properly.

How State Law Relates To The Warranty:

Some states do not allow the exclusion or limitation of incidental or consequential damages so the above exclusion or limitation may not apply to you. This warranty gives you specific legal rights, and you may also have other rights which vary from state to state.

 **WARNING**

WARNING: To avoid fire, shock, and serious personal injury, follow these instructions.

Safety Instructions

1. Read your owner's manual carefully and keep it for future reference.
2. Before servicing or cleaning unit, switch power off at service panel and lock service panel disconnecting means to prevent power from being switched on accidentally. When the service disconnecting means cannot be locked, securely fasten a warning device, such as a tag, to the service panel.
3. Be careful of the fan and blades when cleaning, painting, or working near the fan. Always turn off the power to the ceiling fan before servicing.
4. Do not put anything into the fan blades while they are turning.
5. Do not operate reversing switch until fan blades have come to a complete stop.

Additional Safety Instructions for Installation

1. To avoid possible shock, be sure electricity is turned off at the fuse box before wiring, and do not operate fan without blades.
2. All wiring must be in accordance with the National Electrical Codes "ANSI/NFPA 70-1999" and Local Electrical Codes. Use the National Electrical Code if Local Codes do not exist. The ceiling fan must be grounded as a precaution against possible electrical shock. Electrical installation should be made or approved by a licensed electrician.
3. The outlet box and joist must be securely mounted and capable of reliably supporting at least 50 pounds. Use only U.L. outlet boxes listed as "Acceptable for Fan Support", and use the mounting screws provided with the outlet box. Most outlet boxes commonly used for support of light fixtures are not acceptable for fan support and may need to be replaced. Consult a qualified electrician if in doubt.
4. The longer downrod (18") furnished with the ceiling fan provides the minimum recommended floor-to-fan blade clearance for a 9-foot ceiling. The 4-1/2" downrod (supplied) must be used for an 8-foot ceiling.
5. The fan must be mounted with the fan blades at least 7 feet from the floor to prevent accidental contact with the fan blades.
6. Follow the recommended instructions for the proper method of wiring your ceiling fan. If you do not know enough about electrical wiring, have your fan installed by a licensed electrician.

NOTE: This fan is suitable for use with solid-state speed controls.

WARNING: To reduce the risk of fire or electric shock, this fan should only be used with fan speed control, Model No. SW105, manufactured by Rhine Electric Co., Ltd.

WARNING: This product is designed to use only those parts supplied with this product and/or any accessories designated specifically for use with this product by Emerson. Substitution of parts or accessories not designated for use with this product by Emerson could result in personal injury or property damage.

WARNING: To reduce the risk of personal injury, do not bend the blade flange when installing the blade flanges, balancing the blades or cleaning the fan. Do not insert foreign objects in between rotating fan blades.

WARNING: To reduce the risk of electrical shock, this fan must be installed with an isolating wall control/switch.

DATE CODE: _____

The date code of this fan may be found on the box, stamped in ink on a white label.

You should record this data above and keep it in a safe place for future use.

This Manual Is Designed to Make it as Easy as Possible for You to Assemble, Install, Operate and Maintain Your Ceiling Fan

Tools Needed for Assembly

One Phillips head screwdriver
 Five wire connectors (supplied)
 Four 60-watt candelabra base bulbs
 Two 15-watt candelabra base bulbs (CF2605)
 Two 25-watt candelabra base bulbs (CF2680)

One stepladder
 One wire stripper

Installed Wire Length
 Up to 50 ft.
 50-100 ft.

Wire Size A.W.G.
 14
 12

MATERIALS

Wiring outlet box and box connectors must be of type required by the local code. The minimum wire would be a 4-conductor (3-wire with ground) of the following size:



WARNING

Before assembling your ceiling fan, refer to "How to Wire Your Ceiling Fan" section on proper method of wiring your fan. If you feel you do not have enough wiring knowledge or experience, have your fan installed by a licensed electrician.

Unpacking Instructions

For your convenience, check-off boxes are provided next to each step. As each step is completed, place a check mark in the box. This will insure that all steps have been completed and will be helpful in finding your place should you be interrupted.



WARNING

Do not install or use fan if any part is damaged or missing. Call Toll-Free:

1-800-654-3545



WARNING

This product is designed to use only those parts supplied with this product and/or any accessories designated specifically for use with this product by Emerson Electric Co. Substitution of parts or accessories not designated for use with this product by Emerson Electric Co. could result in personal injury or property damage.

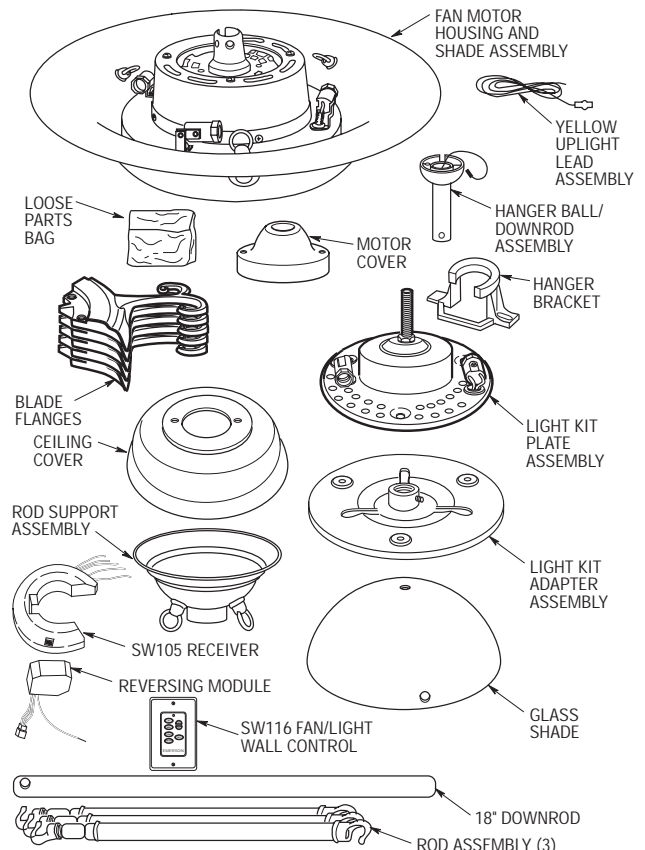
9. Five wire connectors
10. Three 5/32-32 x 3/16" screws
11. One finial nut
12. One hairpin clip
13. One clevis pin
14. Sixteen 10-32 x 3/8" pan head screws
15. Sixteen flat washers
16. One hex nut, 1/8-27

NOTE: Place the parts from the loose parts bags in small containers to keep them from being lost. If any parts are missing, contact your local retailer or catalog outlet for replacement before proceeding.

NOTE: Fan blades are ordered separately and are packaged in separate carton.

1. Open carton containing your ceiling fan. Remove the top half of the styrofoam packing. Remove parts and check to see that you have received the following:

- a. Fan motor housing and shade assembly
- b. One motor cover
- c. One ceiling cover
- d. Five blade flanges
- e. One hanger ball/downrod assembly
- f. One hanger bracket
- g. One yellow upright lead assembly
- h. One downrod, 18" length
- i. Three rod assemblies
- j. One rod support assembly
- k. One light kit plate assembly
- l. One light kit adapter assembly
- m. One glass shade
- n. One SW116 Fan/Light Wall Control (transmitter)
- o. One SW105 Receiver (includes reversing module)
- p. One loose parts bag containing:
 1. One setscrew
 2. One 5/32" hex wrench
 3. One 5/64" hex wrench
 4. Eleven 10-32 x 5/8" oval head screws
 5. Two 1" threaded studs
 6. Two 1-1/4" threaded studs
 7. Four knurled knobs
 8. Four lockwashers




IMPORTANT: Your ceiling fan is supplied with an SW116 Fan/Light Wall Control (transmitter) and a remote control, SW105 Receiver which mounts under the ceiling cover. A reversing module is supplied with the receiver. This system allows you to regulate your ceiling fan speed, airflow direction, and light intensity. An optional Emerson Electric SR100 Remote Control may also be used.

IMPORTANT: Your ceiling fan will not function properly and may be damaged, if used with any wall dimmer switch or control other than the Emerson controls listed above.


Electrical Requirements


Your new ceiling fan will require a grounded electrical supply line of 120 volts AC, 60 Hz, 15 amp circuit.

The outlet box must be securely anchored and capable of withstanding a load of at least 50 pounds.

 WARNING
To reduce the risk of fire, electric shock, or personal injury, mount fan to outlet box marked "Acceptable for Fan Support", and use screws supplied with outlet box. Most outlet boxes commonly used for support of light fixtures are not acceptable for fan support and may need to be replaced. Consult a qualified electrician if in doubt.

If your fan is to replace an existing ceiling light fixture, turn electricity off at the main fuse box at this time and remove the existing light fixture.

 WARNING
Turning off wall switch is not sufficient. To avoid possible electrical shock, be sure electricity is turned off at the main fuse box before wiring. All wiring must be in accordance with national and local codes and the ceiling fan must be properly grounded as a precaution against possible electrical shock.

 WARNING
To avoid possible fire or shock, follow all wiring instructions carefully. Any electrical work not described in these instructions should be done or approved by a licensed electrician.

Preliminary Procedures

IMPORTANT: Before assembling your ceiling fan, refer to sections "Setting Operating Frequency of Wall Control and Receiver" and "Battery Installation of Wall Control", pages 10 and 11. These sections instruct you how to:

a. Set the operating frequency of the fan/light wall control and the remote control receiver.

b. Install the fan/light wall control in the wall box.

You will then be ready to proceed with the assembly and installation of your ceiling fan.

Ceiling Fan Assembly Procedures

1. Position the motor housing and shade assembly in the foam packing so that the top for the motor is facing you.
2. Obtain the hanger ball/downrod assembly and remove the hanger ball by loosening the setscrew in the hanger ball until the ball falls freely down the downrod (Figure 1). Remove the pin from the downrod, then remove the hanger ball. Retain the pin and hanger ball for reinstallation in Step 11. Discard the 4-1/2" downrod if using the 18" or optional longer downrod.

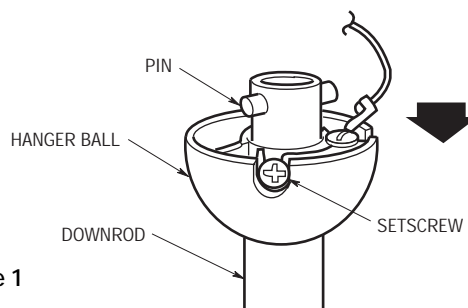


Figure 1

3. Using a wire connector (supplied), connect the yellow upright lead (supplied) to the yellow wire from the motor (Figure 2).
4. Separate, untwist and unkink the three black, white and blue motor wires and the yellow upright lead. Route these wires through the downrod.
5. Fold the wires from the downrod into the slot in the motor coupling. Then slide the downrod down the wires and seat the downrod in the motor coupling (Figure 2).

6. Align the clevis pin holes in the downrod with the holes in the motor coupling. Install the clevis pin and secure with the hairpin clip (Figure 2). The clevis pin must go through the holes in the motor coupling and the holes in the downrod. Push the straight leg of the hairpin clip through the hole near the end of the clevis pin until the curved portion of the hairpin clip snaps around the clevis pin. The hairpin clip must be properly installed to prevent the clevis pin from working loose.

▲ WARNING

It is critical that the clevis pin in the motor coupling is properly installed and the setscrew securely tightened. Failure to verify that the pin and setscrew are properly installed could result in the fan falling.

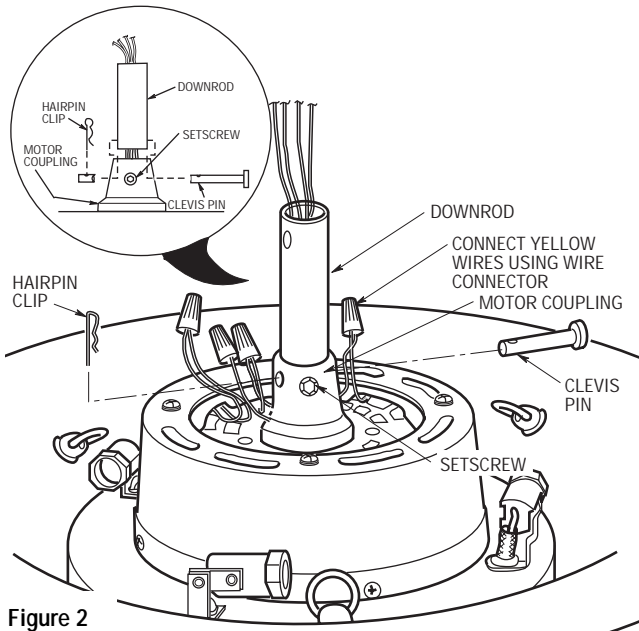


Figure 2

7. Install the setscrew (supplied) in the motor coupling and tighten using the 5/32" setscrew wrench (supplied) (Figure 2).
8. Screw two 1" threaded studs (supplied) into the motor (Figure 3). Leave approximately 7/8" of the stud extending above the motor. Coil the wires and wire connectors around the motor coupling, then slide the motor cover over the downrod and rotate the cover until the threaded studs protrude. Install two lockwashers (supplied) and knurled knobs (supplied) to secure the cover to the motor. All wires and wire connectors must be enclosed under the motor cover.

NOTE: Lightly snug the knurled knob and make sure the wires and wire connectors are completely inside the motor coupling cover and not pinched between the motor coupling cover and the motor.

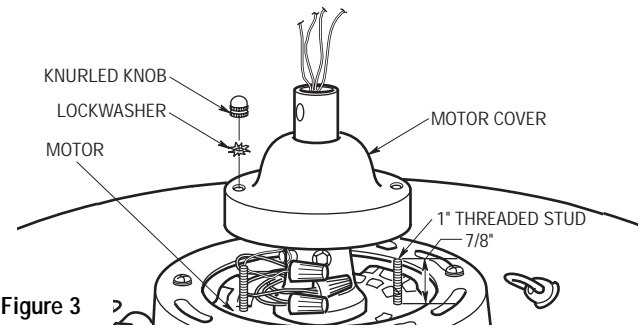


Figure 3

IMPORTANT

A. If you have installed the 18" or optional longer downrod and are planning to install the decorative support rods assembly, proceed to "Installation of Decorative Support Rods Assembly" on page 10. After you have installed the decorative support rods assembly, continue with the following installation procedures.

B. If you have installed the 4-1/2" downrod, continue now with the following procedures.

9. Position the ceiling cover over the downrod. Be sure the cover is oriented correctly, with the large opening at the top (Figure 4).

▲ WARNING

It is critical that the pin in the hanger ball is properly installed and the setscrew securely tightened. Failure to verify that the pin and setscrew are properly installed could result in the fan falling.

10. Reinstall the hanger ball on the downrod as follows. Route the motor leads through the hanger ball and slide the hanger ball over the downrod (Figure 4). Install the pin through the holes at the top of the downrod and slide the hanger ball up the downrod, aligning the ball so the pin is captured in the groove in the top of the hanger ball. Pull the hanger ball up tight against the pin and securely tighten the setscrew in the hanger ball. A loose setscrew could create fan wobble.

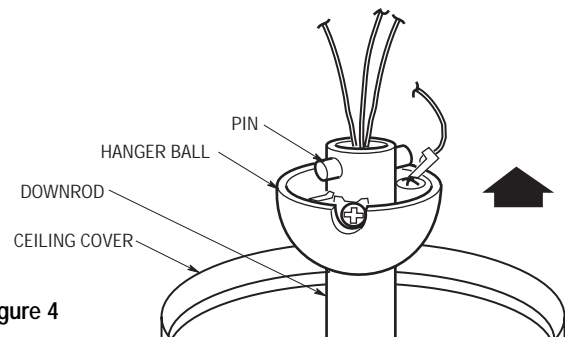


Figure 4

11. Screw in four 60-watt (maximum) candelabra base lamps in the housing sockets (Figure 5). Grasp the sockets and pivot them until the lamp bulbs are even with the top of the housing as shown. This will provide the optimum lighting effect.

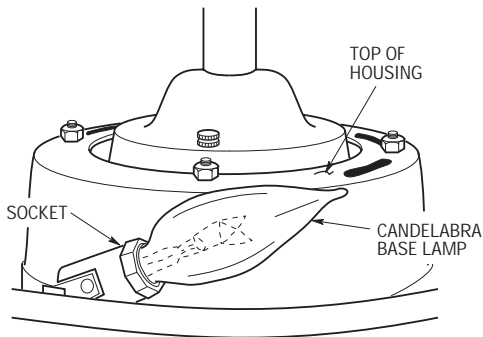


Figure 5

- 12. The blue, black, white, and yellow leads exiting the downrod are 80-inches long. Before installing the fan, measure up approximately 6 to 9-inches above the ball/downrod assembly. Cut off excess leads and strip back insulation 1/2-inch from end of leads.
- 13. You have now completed the initial assembly of your new ceiling fan. You can now proceed with hanging and wiring your fan.

How to Hang Your Ceiling Fan

⚠ WARNING

The fan must be hang with at lease 7' of clearance from floor to blades (Figure 6). Do NOT hang this fan on an 8' ceiling when using the 18" downrod.

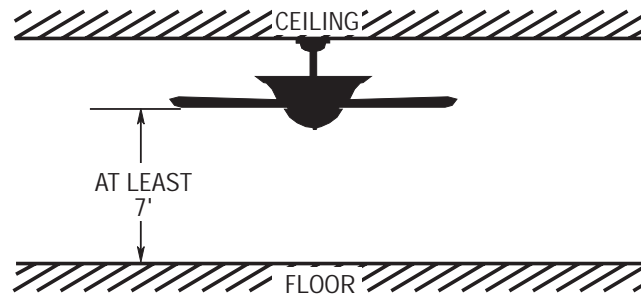


Figure 6

⚠ WARNING

The outlet box and joist must be securely mounted and capable of supporting at least 50 lbs. Use only a U.L. outlet box listed as "Acceptable for Fan Support".

⚠ WARNING

To reduce the risk of fire, electric shock, or personal injury, mount fan to outlet box marked "Acceptable for Fan Support", and use screws supplied with outlet box. Most outlet boxes commonly used for support of light fixtures are not acceptable for fan support and may need to be replaced. Consult a qualified electrician if in doubt.

- 1. Securely attach the hanger bracket to the outlet box using the two screws supplied with the outlet box (Figure 7).

⚠ WARNING

Hanger bracket must seat firmly against outlet box. If the outlet box is recessed, remove wall board until bracket contacts box. If bracket and/or outlet box are not securely attached, the fan could wobble or fall.

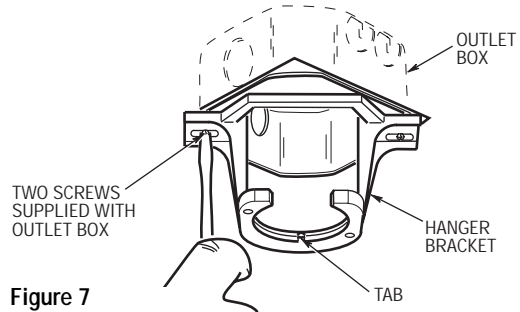


Figure 7

- 2. Carefully lift the fan and seat the hanger ball/downrod assembly on the hanger bracket that was just attached to the outlet box (Figure 8). Be sure the groove in the ball is lined up with the tab on the hanger bracket (Figure 7).

⚠ WARNING

Failure to seat tab in groove could cause damage to electrical wires and possible shock or fire hazard.

NOTE: CEILING COVER, SUPPLY WIRES AND FAN WIRES OMITTED FOR CLARITY.

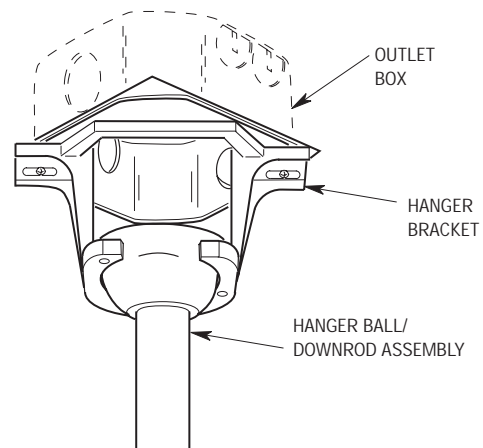



Figure 8

⚠ WARNING

To avoid possible fire or shock, do not pinch wires between the hanger ball/downrod assembly and the hanger bracket.

How to Wire Your Ceiling Fan

If you feel that you do not have enough electrical wiring knowledge or experience, have your fan installed by a licensed electrician.

 WARNING
Turning off wall switch is not sufficient. To avoid possible electrical shock, be sure electricity is turned off at the main fuse or circuit breaker box before wiring. All wiring must be in accordance with National and Local codes and the ceiling fan must be properly grounded as a precaution against possible electrical shock.

CAUTION: To reduce the risk of electrical shock, disconnect the electrical supply circuit before installing the fan and light kit or receiver.

1. Pull the wire leads, coming from the end of the downrod, and the supply wires through the open side of the hanger bracket. (Figure 9).
2. Position the SW105 Receiver (supplied) in the ceiling cover so that the flat side of the receiver faces up and the open portion of the receiver is to the right, as shown in Figure 9.

3. Using wire connectors (supplied), make wiring connections as follows (Figure 9 and 10):
 - a. Connect the white fan wire and the white supply wire to the white receiver wire (AC IN N/ MOTOR N).
 - b. Connect the black fan wire to the black receiver wire (TO MOTOR L).
 - c. Connect the black supply wire to the black/white receiver wire (AC IN L).
 - d. Cut off the ends of the blue and yellow receiver wires and strip back insulation 1/2-inch from the ends of the wires.
 - e. Connect the blue fan wire to the blue receiver wire (BOTTOM LIGHT).
 - f. Connect the yellow fan wire to the yellow receiver wire (UPPER LIGHT).
 - g. Connect the green ground wires from the hanger bracket and the hanger ball to the supply ground wire (bare or green).

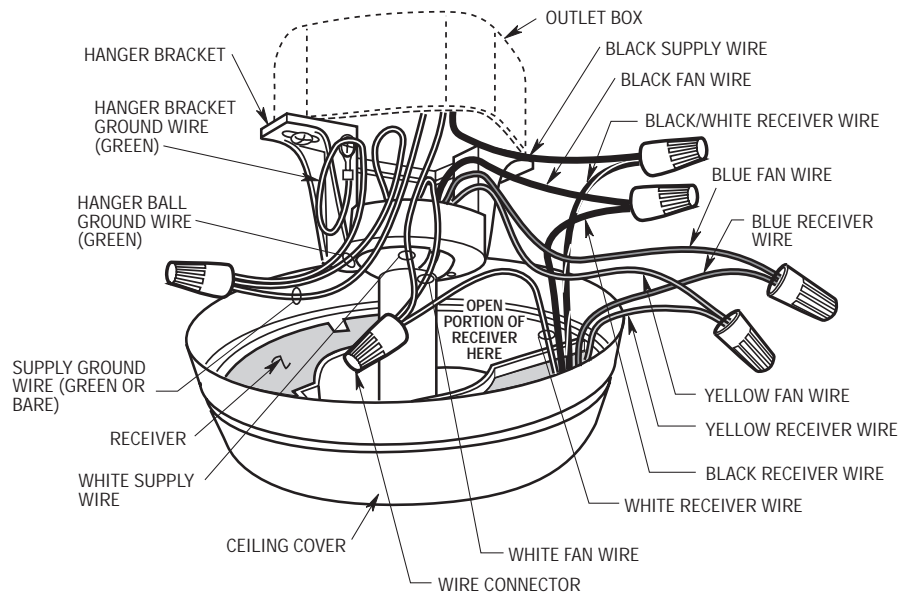


Figure 9

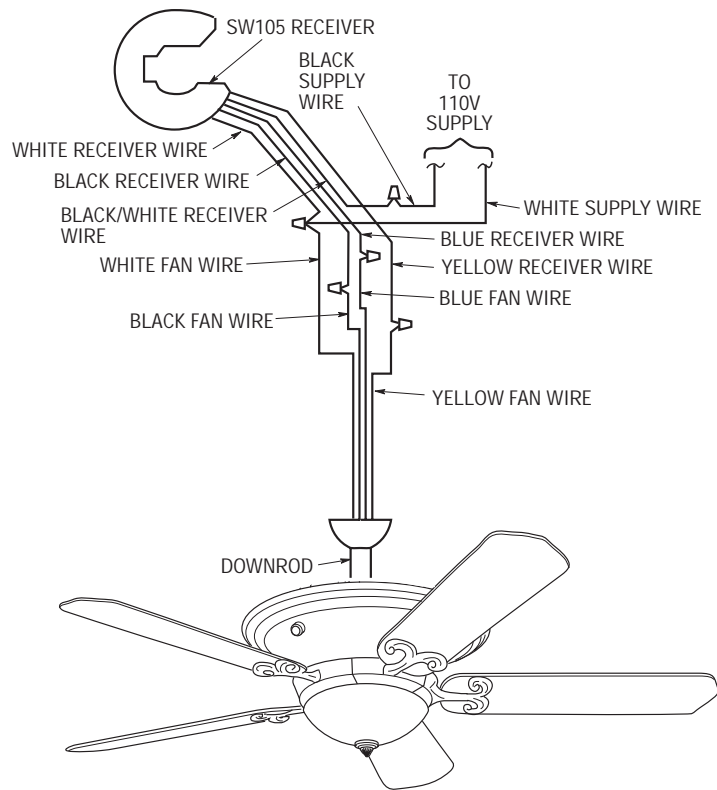


Figure 10

⚠ WARNING

Check to see that all connections are tight, including ground, and that no bare wire is visible at the wire connectors, except for the ground wire. Do not operate fan until blades are in place. Noise and fan damage could result.

4. After connections have been made, separate the white and green wires from the black, blue and yellow wires.
5. Carefully turn the wires upward and insert them up through the open side of the hanger bracket and into the outlet box. Push the green and white wires into one side of the outlet box; push the black, blue and yellow wires into the other side of the outlet box.

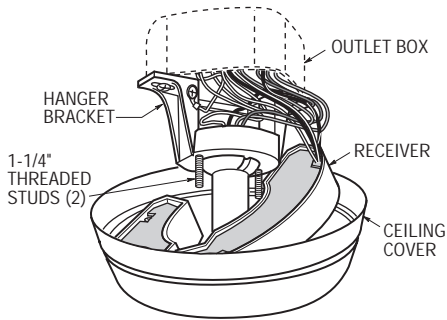


Figure 11

6. Screw the two 1-1/4" threaded studs (supplied) into the tapped holes in the hanger bracket (Figure 11).
7. Lift the ceiling cover up to the threaded studs and turn until studs protrude through the holes in the ceiling cover (Figure 12).
8. Secure the ceiling cover in place by installing two lockwashers and two knurled knobs (supplied) (Figure 12). Tighten the knurled knobs securely until the ceiling cover fits snugly against the ceiling and the hole in the ceiling cover is clear of the downrod.

⚠ WARNING

To avoid possible fire or shock, make sure that the electrical wires are completely inside the outlet box and not pinched between the ceiling cover and the ceiling.

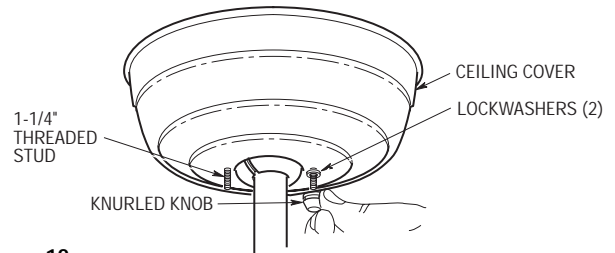


Figure 12

Final Assembly of Your Ceiling Fan

1. Use three 10-32 x 3/8" pan head screws and flat washers (supplied) to secure the flange to the blade (ordered separately) (Figure 13). Repeat for the four remaining blades.
2. Use the 10 round recessed holes in the motor hub marked with "5" and install the five blade assemblies in accordance with Step 3.

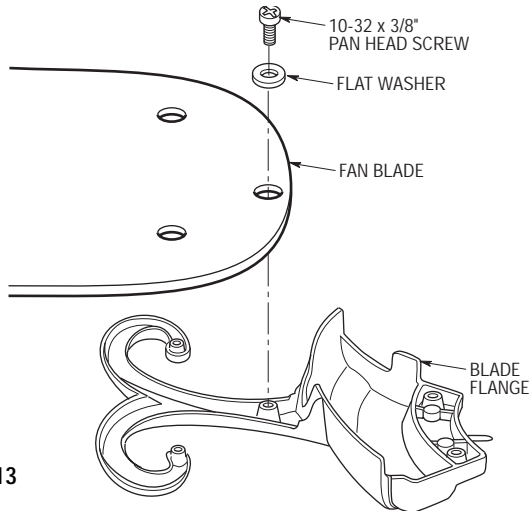


Figure 13

3. Attach one blade assembly to the motor hub using two 10-32 x 5/8" oval head screws (supplied) (Figure 14). Do not tighten completely at this time. Install remaining blade assemblies in the same way. Gently snug all flange screws to the motor hub, working around the hub in a clockwise sequence. Next, securely tighten all flange screws, again working in a clockwise sequence. Failure to follow this procedure could result in fan wobble. This completes the blade installation.

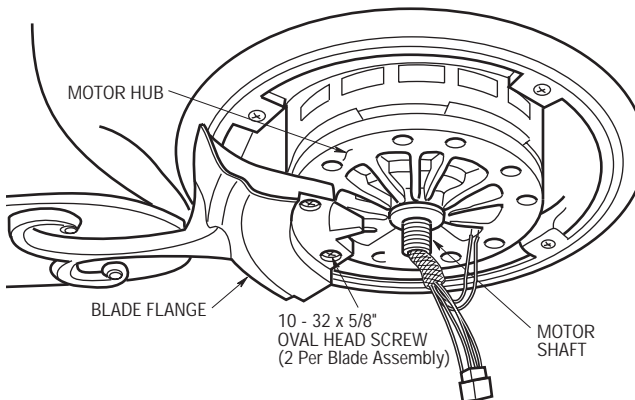


Figure 14

4. Using the 5/64" hex wrench (supplied), loosen the setscrew in the collar on the light kit adapter assembly. Then pass the connector and the wires from the motor shaft through the collar (Figure 15). Screw the adapter assembly onto the motor shaft and then tighten the setscrew to secure the adapter assembly to the motor shaft.
5. Engage the connector from the motor shaft with the connector from the reversing module (supplied) (Figure 15).

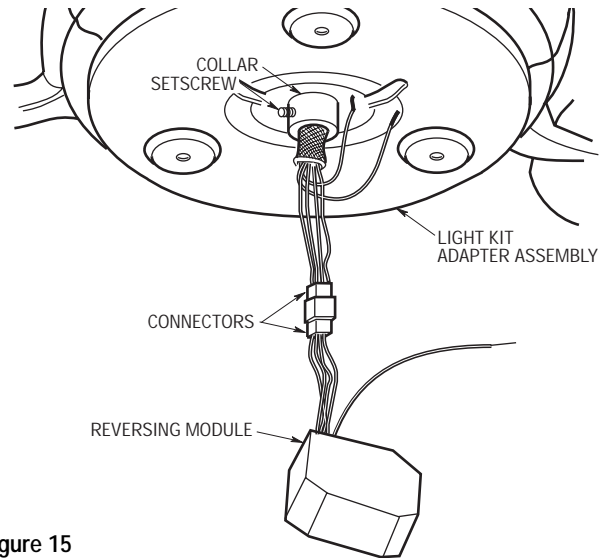


Figure 15

6. Securely connect the black wire from the light kit plate assembly to the blue wire from the motor shaft using a wire connector (supplied) (Figure 16). Connect the white wire from the plate assembly and the white wire from the reversing module to the white wire from the motor shaft using a wire connector (supplied).

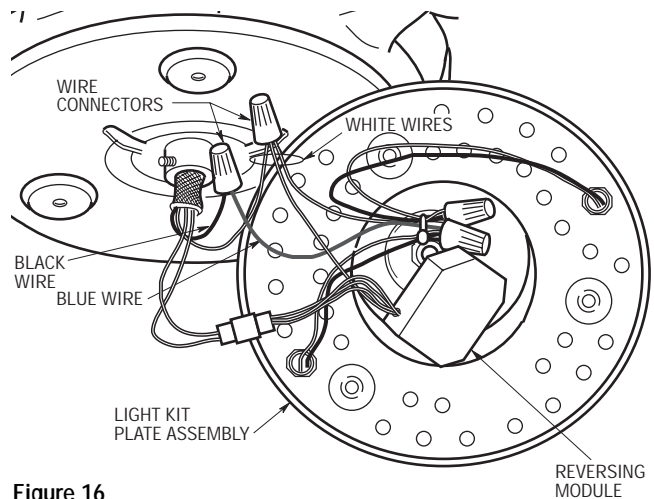


Figure 16

NOTE: When installing the light kit plate assembly, position the wires, the connectors and the reversing module in the raised center portion of the plate assembly. Do not pinch wires between the light kit plate assembly and the adapter assembly.

- 7. Secure the light kit plate assembly to the light kit adapter assembly by installing three 5/32-32 x 3/16" phillips head screws (supplied) into the threaded holes in the adapter assembly (Figure 17).
- 8. Install two candelabra base lamps in the sockets of the light kit adapter plate (Figure 17):
 Model CF2605 - 15-Watt Maximum
 Model CF2680 - 25-Watt Maximum
- 9. Position the glass shade over the threaded nipple in the light kit plate assembly (Figure 17). Seat the glass shade evenly over the plate assembly and securely install the hex nut and finial nut (supplied) on the threaded nipple.

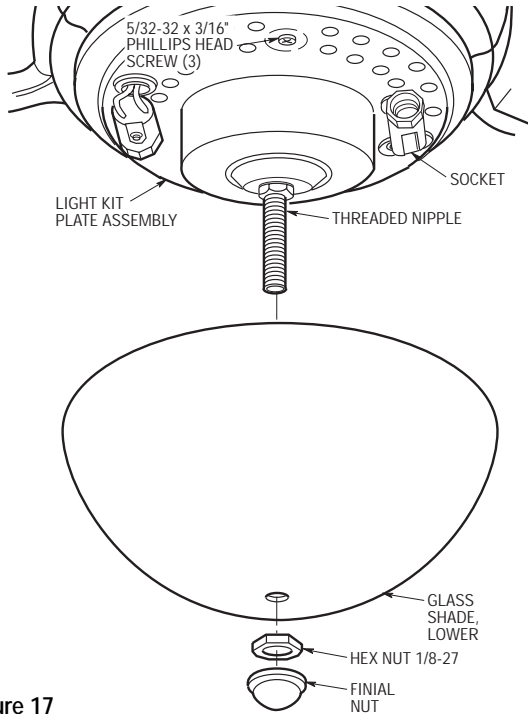


Figure 17

- 10. Your ceiling fan is now installed and wired and ready for use.

Setting Operating Frequency of Wall Control and Receiver (Figure 18)

Your wall control and receiver have code switches which must be set in one of 16 possible code combinations. The four levers (numbered 1, 2, 3, and 4) on the switches are factory-set in the ON (up) position. Change the switch settings as follows:

- 1. Slide the four switch levers in the wall control to your choice of ON (up) or down positions. Use a ball-point pen or small screwdriver and slide the levers firmly up or down.
- 2. In the receiver, slide the four switch levers to the same positions as set in the wall control. Make sure the levers on both switches are in the same positions, otherwise the fan will not operate.

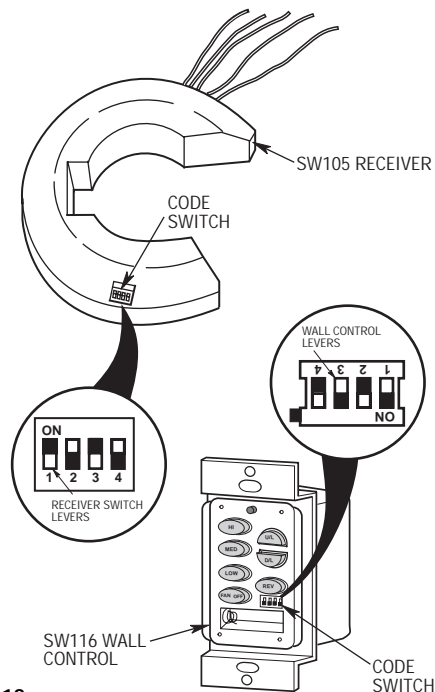


Figure 18

Battery Installation of Wall Control

▲ WARNING

Turning off wall switch is not sufficient. To avoid possible electrical shock, be sure electricity is turned off at the main fuse or circuit breaker box.

The SW116 wall control transmits the command signals via radio waves to the SW105 receiver installed in the ceiling fan ceiling cover. The SW105 receiver is required for the SW116 wall control to function. Power for the SW116 wall control comes from the 12V battery, located in the wall control.

Replacement 12V batteries recommended are Duracell MN21, Eveready A23, and GP23A.

- 1. Install the 12V battery (supplied) into the wall control (Figure 19).
- 2. The SW116 wall control is supplied with a white or almond color cover. Choose the style that best suits your needs and snap the cover onto the wall control (Figure 19).

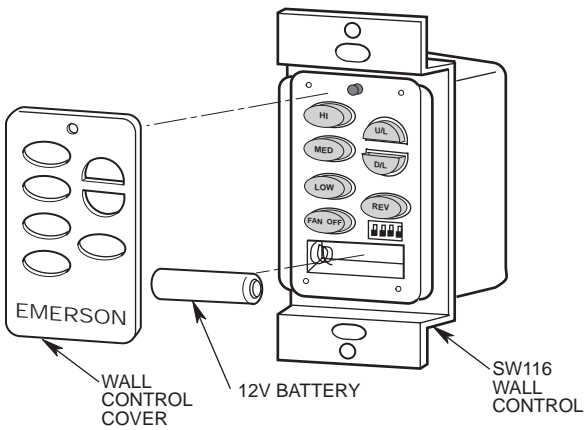


Figure 19

- 3. Install the wall control onto the outlet box using the supplied screws (Figure 20).
- 4. Install decorator faceplate (included) using the two screws provided. Leave wall control in "OFF" mode until fan installation is completed (Figure 20).

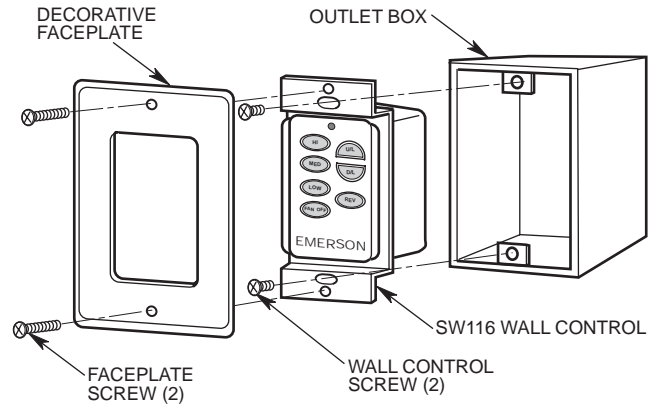


Figure 20

Operating Your Ceiling Fan

IMPORTANT

Fan installation must be completed, including the installation of the fan blades, before testing of the remote control.

Your SW116 Fan/Light Wall Control (Figure 21) has full control of your fan, lights, and airflow direction.

1. To set the desired fan speed, press the HI, MED, or LOW buttons to operate your fan on high, medium, or low speed (Figure 21).
2. To turn your fan off, press the OFF button.
3. To set the level of light brightness, press and hold the U/L (uplight) button or the D/L (downlight) button. The light brightness will continue to increase then decrease while the button is held down. When the light is at the desired brightness, release the button.
4. To turn the lights on and off, press and release the U/L (uplight) button or the D/L (downlight) button. The lights will turn on at the light level previously set (see Step 3).

5. To reverse the direction the fan is turning, press the REV button. The direction the fan turns will change each time the REV button is pressed.

Red light turns on when any button is pressed. If the light does not come on, replace your battery.

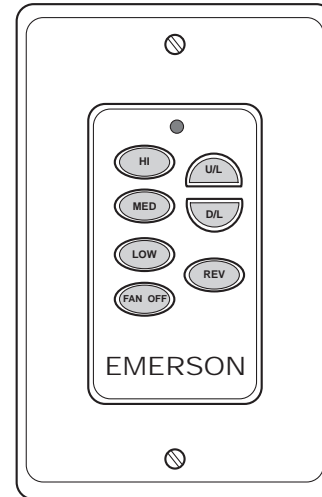


Figure 21

INSTRUCTION TO THE USER (if device contains a digital device)

This equipment has been tested and found to comply with the limits for a class B digital device, pursuant to part 15 of the FCC Rules. These limits are designed to provide reasonable protection against harmful interference in a residential installation. This equipment generates, uses and can radiate radio frequency energy and if no installed and used in accordance with the instructions, may cause harmful interference to radio communications. However, there is not guarantee that interference will not occur in a particular installation. If this equipment does cause harmful interference to radio or television reception, which can be determined by turning the equipment off and on, the user is encouraged to try to correct the interference by one or more of the following measures:

- Reorient or relocate the receiving antenna.
- Increase the separation between the equipment and receiver.
- Connect the equipment into an outlet on a circuit different from that to which the receiver is connected.
- Consult the dealer or an experienced radio/TV technician for help.

This equipment has been certified to comply with the limits for a class B computing device, pursuant to FCC Rules. In order to maintain compliance with FCC regulations, shielded cables must be used with this equipment. Operation with non-approved equipment or unshielded cables is likely to result in interference to radio and TV reception. The user is cautioned that changes and modifications made to the equipment without the approval of manufacturer could void the user's authority to operate this equipment.

This Class B digital apparatus meets all requirements of the Canadian Interference-Causing Equipment Regulations.

Installation of the Decorative Support Rods Assembly

NOTE: The following procedures are to be performed only if you have installed the 18" or longer downrod.

- 1. Loosen the setscrew in the collar of the rod support assembly using the 5/64" hex wrench (supplied) and slide the support assembly over the downrod (Figure 22).

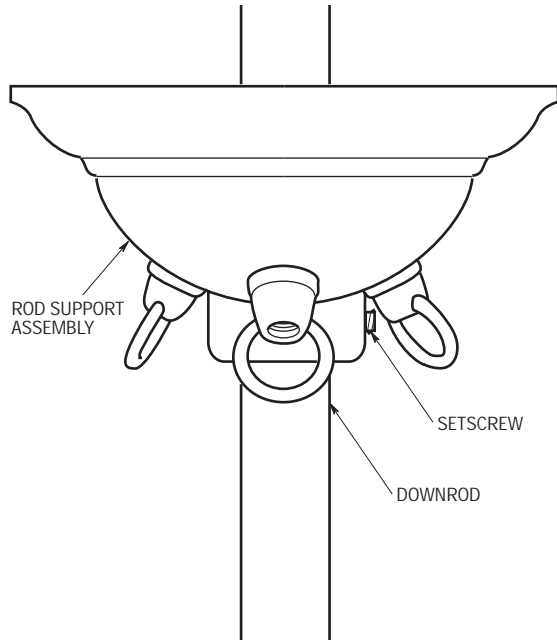


Figure 22

- 2. Verify that three or four threads are visible between the bottom hook and the barrel of the rod assembly (Figure 23). If necessary, turn barrel to expose more threads. Check all rod assemblies.
- 3. Engage the rod hook with the ring in the shade assembly (Figure 23).

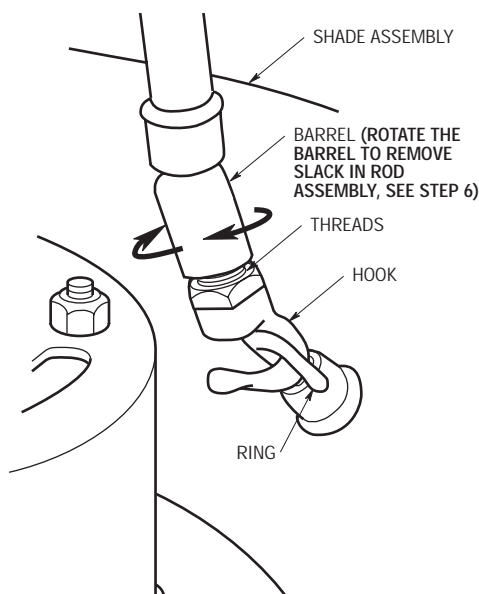


Figure 23

- 4. Raise the rod support assembly and loosely engage the rod hook with one of the rings on the support assembly (Figure 24). Then tighten the setscrew using the 5/64" hex wrench (supplied).

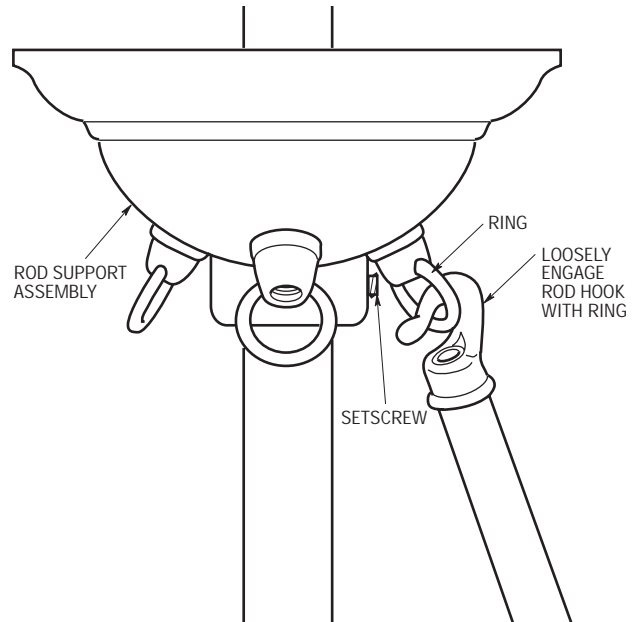
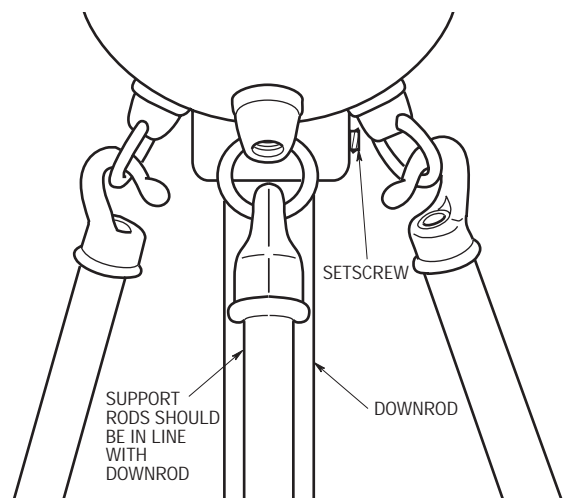


Figure 24

- 5. Engage the other two support rods in the same manner as above. Loosen the setscrew and raise the rod support assembly until the support rods are taut and in line with the downrod (Figure 25). Then securely tighten the setscrew using the 5/64" hex wrench.
- 6. Tighten (rotate) the barrels of the rod assemblies to take up any slack, thereby reducing the chance of noise due to vibration when the fan is operating (Figure 23).

CAUTION: To avoid breaking the glass shade, do not over tighten the rods.

NOTE: The decorative support rods are now installed and the fan is ready for further installation. Continue with Step 9 in "Ceiling Fan Assembly Procedures" Section, Page 5.



13 Figure 25

Maintenance

IMPORTANT CARE INSTRUCTIONS for your Ceiling Fan

Periodic cleaning of your new ceiling fan is the only maintenance that is needed.

When cleaning, use only a soft brush or lint free cloth to avoid scratching the finish.

Abrasive cleaning agents are not required and should be avoided to prevent damage to finish.

WARNING

Do not use water when cleaning your ceiling fan. It could damage the motor or the blades and create the possibility of an electrical shock.

Accessories

- 1. Ceiling Fan Controls (see store or catalog).
- 2. Downrod Extension Kits (see store or catalog).

WARNING



The use of any other control not specifically approved for this fan could result in fire, shock and personal injury.

WARNING

This product is designed to use only those parts supplied with this product and/or any accessories designated specifically for use with this product by Emerson. Substitution of parts or accessories not designated for use with this product by Emerson could result in personal injury or property damage.

 **WARNING: For your own safety, turn off power at fuse box or circuit breaker before trouble shooting your fan.**

Trouble Shooting

TROUBLE	PROBABLE CAUSE	SUGGESTED REMEDY
1. Fan will not start.	<ol style="list-style-type: none"> 1. Fuse or circuit breaker blown. 2. Loose power line connections to the fan. 3. Fan/Light Wall Control is OFF. 4. Code switches in remote control/receiver are not set in the same position. 	<ol style="list-style-type: none"> 1. Check main and branch circuit fuses or circuit breakers.  WARNING: Make sure main power is turned off. 2. Check line wire connections to fan 3. Turn ON Fan/Light Wall Control. 4. Check that both code switches are set in the same positions.
2. Fan sounds noisy.	<ol style="list-style-type: none"> 1. Blades not attached to fan. 2. Support rods loose. 3. Screws securing fan blade flanges to motor hub are loose. 4. Wire connectors inside switch housing rattling. 5. Screws holding blades to flanges are loose. 	<ol style="list-style-type: none"> 1. Attach blades to fan before operating. 2. Tighten the barrels of the rod assemblies. 3. Check to make sure the screws which attach the fan flanges to the motor hub are tight.  WARNING: Make sure main power is turned off. 4. Check to make sure wire connectors in switch housing are not rattling against each other or against the interior wall of the switch housing. 5. Tighten screws securely.
3. Fan wobbles excessively.	<ol style="list-style-type: none"> 1. Setscrew in motor coupling is loose. 2. Setscrew in hanger ball/downrod assembly is loose. 3. Screws securing fan blade flanges to motor hub are loose. 4. Fan blade flanges not seated properly. 5. Hanger bracket and/or ceiling outlet box is not securely fastened. 6. Fan blades out of balance. 	<ol style="list-style-type: none"> 1. Raise motor cover and tighten setscrew securely. 2. Tighten the setscrew in the hanger ball/downrod assembly. 3. Check to be sure screws which attach the fan blade flanges to the motor hub are tight. 4. Check to be sure the fan blade flanges seat firmly and uniformly to the surface of the motor hub. If flanges are seated incorrectly, loosen the flange screws and retighten according to Step 12 in the "Assembly Instructions". 5. Tighten the hanger bracket screws to the outlet box, and/or secure outlet box. 6. Interchanging an adjacent (side-by-side) blade pair can redistribute the weight and result in smoother operation. Or use supplied balancing kit to balance blades.

Repair Parts Listing

Key No.	Description	Raphael		Raphael Tiffany
		Model No. CF2605WB00	Model No. CF2605PW00	Model No. CF2680WB00
1	Hanger Bracket Assembly Hanger Ball Assembly, Consisting of:	760732	760732	760732
2	Hanger Ball (1)	761632-19	761632-23	761632-19
3	Downrod (1)	—	—	—
*	Parts Bag, Containing:	762137-1	762137-2	762137-1
4	Wire Connector (5)	—	—	—
5	Setscrew Wrench, 5/32" (1)	—	—	—
6	Setscrew Wrench, 5/64" (1)	—	—	—
7	Lockwasher (4)	—	—	—
8	Knob, Knurled (4)	—	—	—
9	Stud, Threaded, 1-1/4" (2)	—	—	—
10	Stud, Threaded, 1" (2)	—	—	—
11	Pin, Clevis (1)	—	—	—
12	Clip, Hairpin (1)	—	—	—
13	Setscrew (1)	—	—	—
14	Screw, 10-32 x 3/8" (16)	—	—	—
16	Hex Nut	—	—	—
15	Washer, Flat (16)	—	—	—
17	Screw, 10-32 x 5/8" (11)	—	—	—
18	Screw, 5/32-32 x 3/16" (3)	—	—	—
19	Nut, Finial (1)	—	—	—
20	Jumper Assembly	—	—	—
21	Lead Assembly Uplight (Yellow)	761790	761790	761790
22	Cover, Ceiling	761620-26	761620-30	761620-26
23	Cover, Motor	761621-17	761621-21	761621-17
24	Screw, #8 Washer head (4)	—	—	—
25	Capacitor, 9 mfd	762117	762117	762117
26	Motor	762508	762508	762508
27	Hub, Motor	760601	760601	760601
28	Flange Set (Full set for one fan)	762105-1	762105-2	762105-1
29	Adapter Assembly, Light Kit	762094	762094	762094
30	Plate Assembly, Light Kit	762905	762905	762905
31	Glass Shade, Lower	762096	762096	762472
32	Glass Shade, Upper	762097	762097	762471
33	Downrod, 18"	760239-146	760239-161	760239-146
34	Support Assembly, Rod	762131-1	762131-2	762131-1
35	Rod Assembly (3)	762133-1	762133-2	762133-1
36	SW116 Fan/Light Wall Control, Battery Operated	763310	763310	763310
37	Receiver, Remote Control, SW105	762400	762400	762400
38	Reversing Module, (supplied with SW105 Receiver)	—	—	—
—	Owner's Manual	BP7338	BP7338	BP7338

Before discarding packaging material, be certain all parts have been removed.

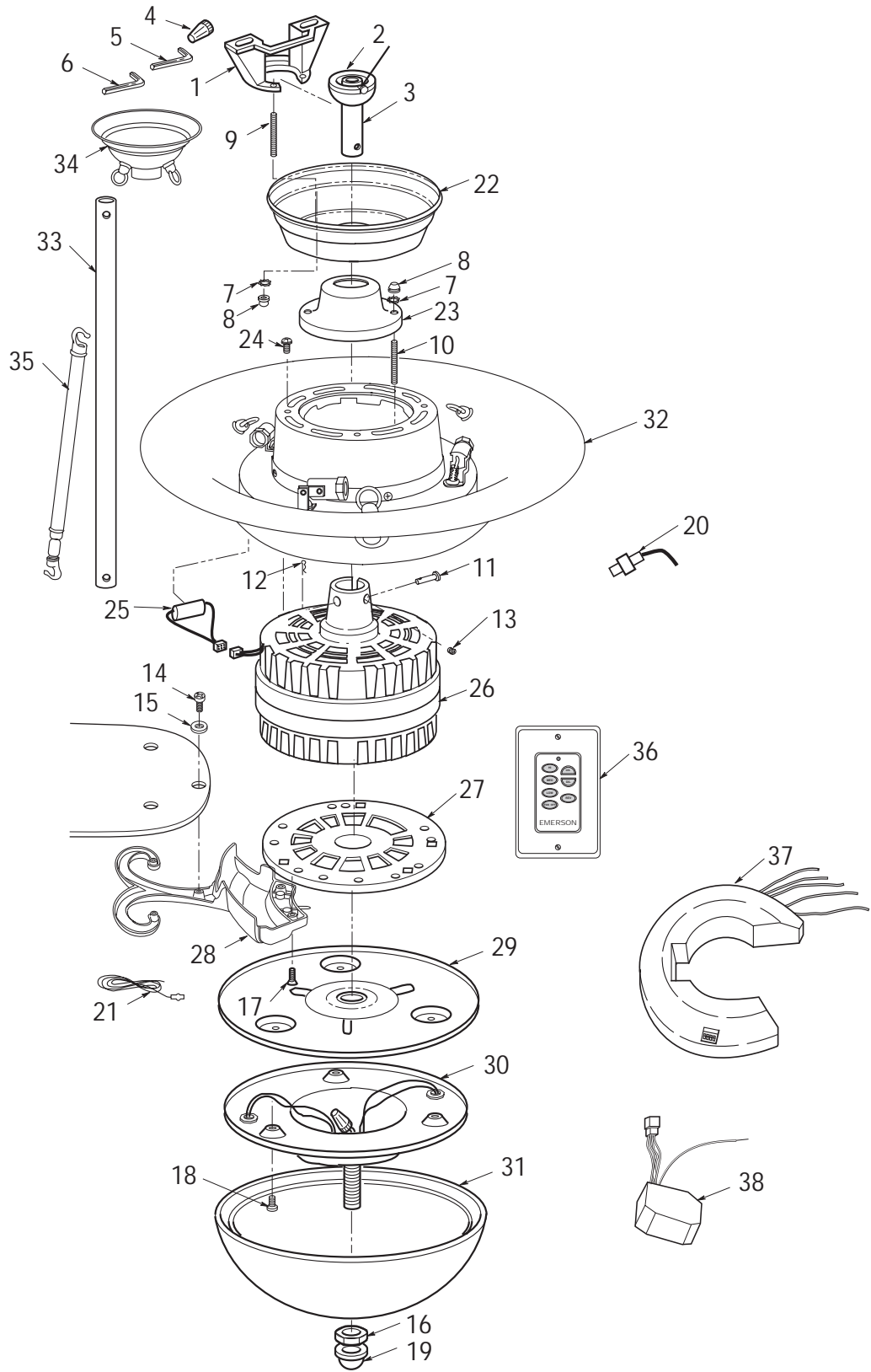
HOW TO ORDER REPAIR PARTS

WHEN ORDERING REPAIR PARTS, ALWAYS GIVE THE FOLLOWING INFORMATION:

- PART NUMBER
- PART DESCRIPTION
- NAME OF ITEM
- MODEL NUMBER

For repair parts, phone 1-800-654-3545.

Repair Parts



Air Comfort Products
DIVISION OF EMERSON ELECTRIC CO.
8100 W. Florissant • St. Louis, MO 63136